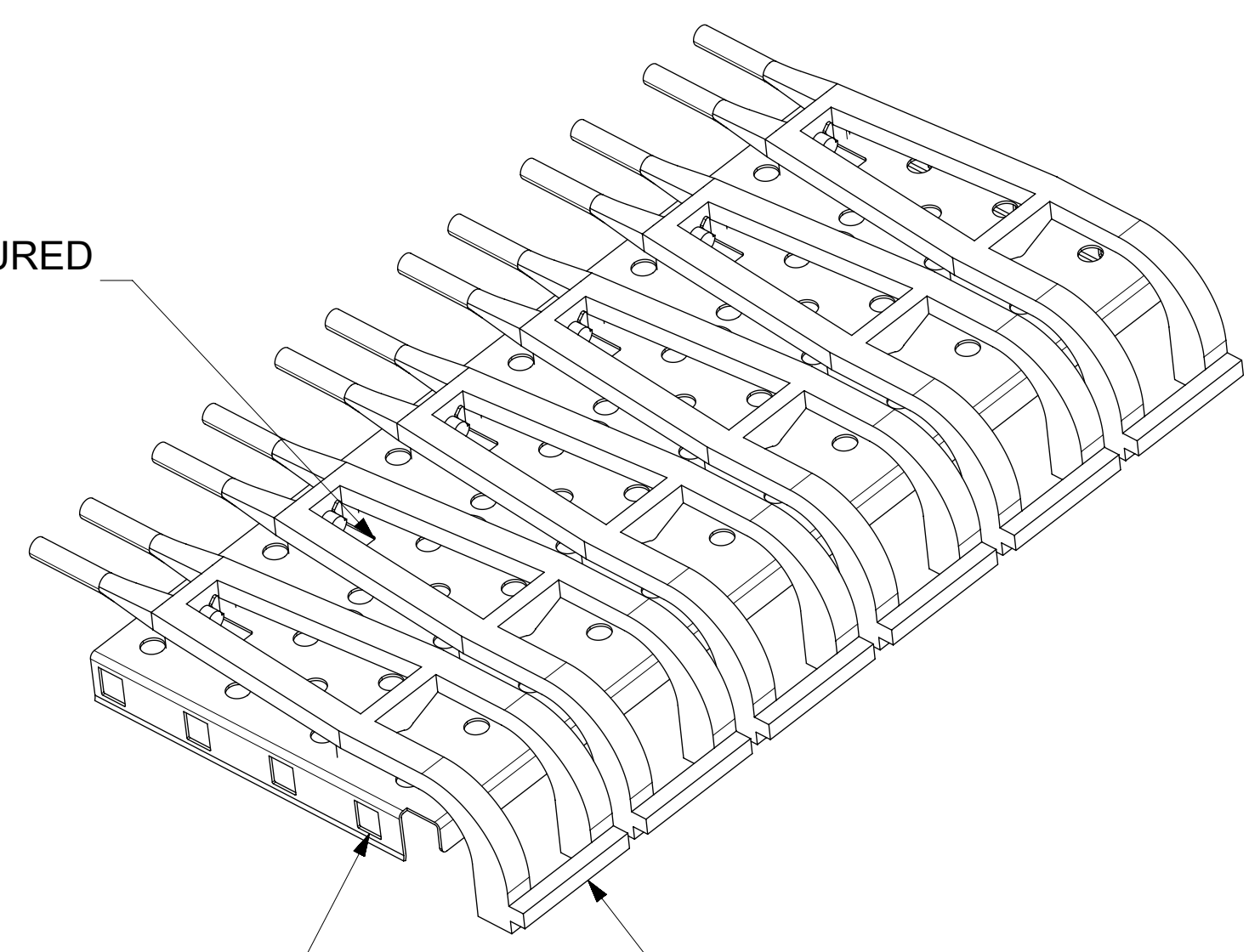
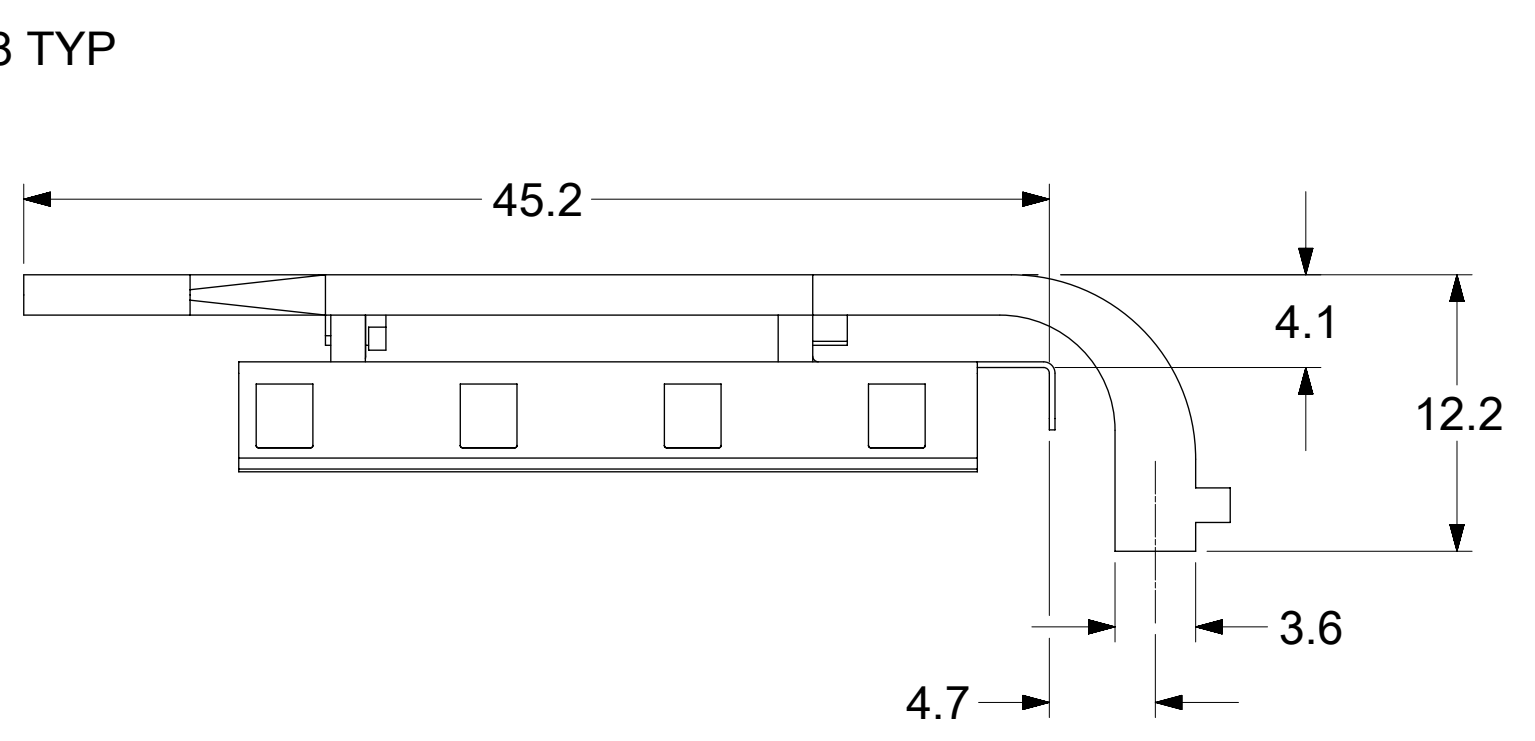
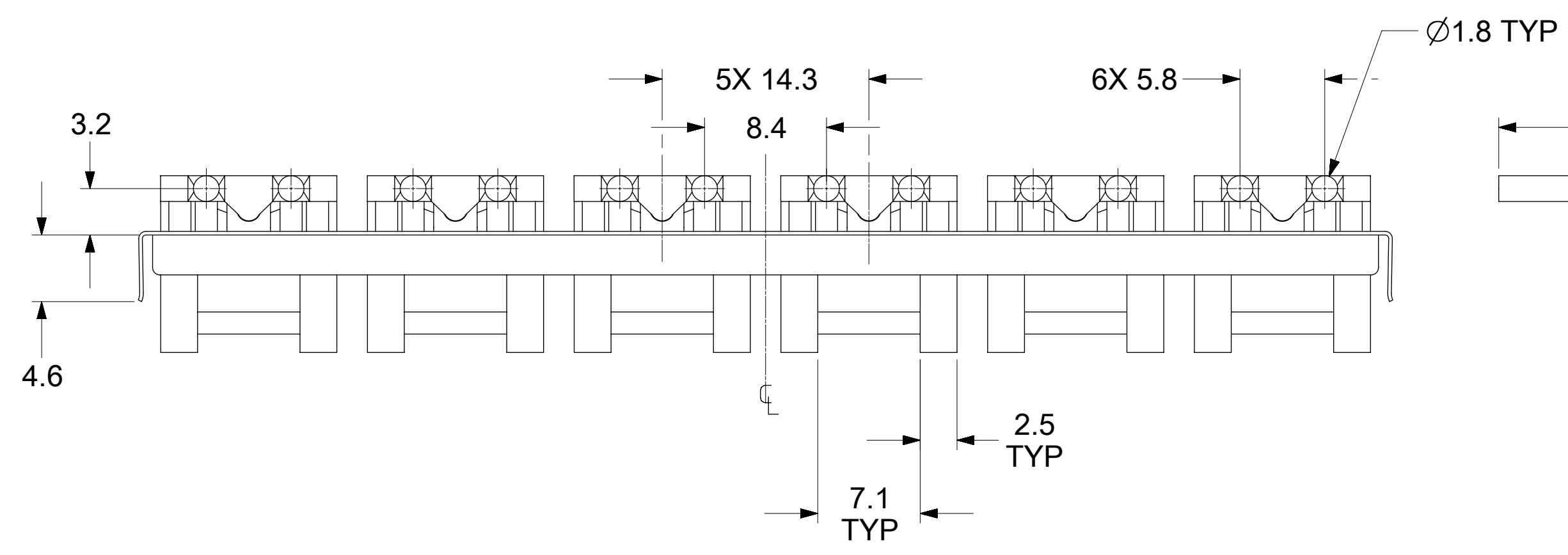


LIGHT PIPES SECURED TO METAL COVER

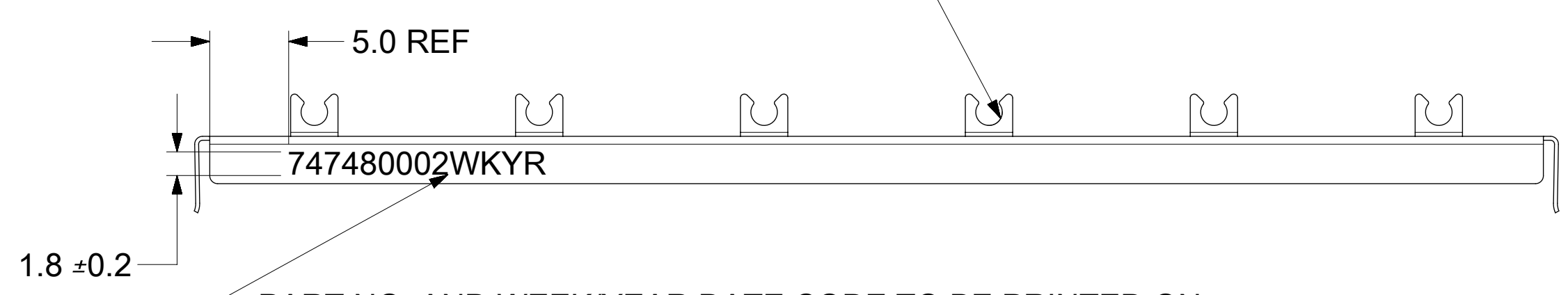


COVER DESIGNED TO SNAP ON THE SFP CAGE ASSEMBLY

LIGHT PIPES MOLDED WITH V0 RATED MATERIAL



LIGHT PIPE NOT SHOWN FOR CLARIFY



PART NO. AND WEEK/YEAR DATE CODE TO BE PRINTED ON BACK OF COVER APPROXIMATELY AS SHOWN. SEE TABLE BELOW FOR DATE CODE INFORMATION.

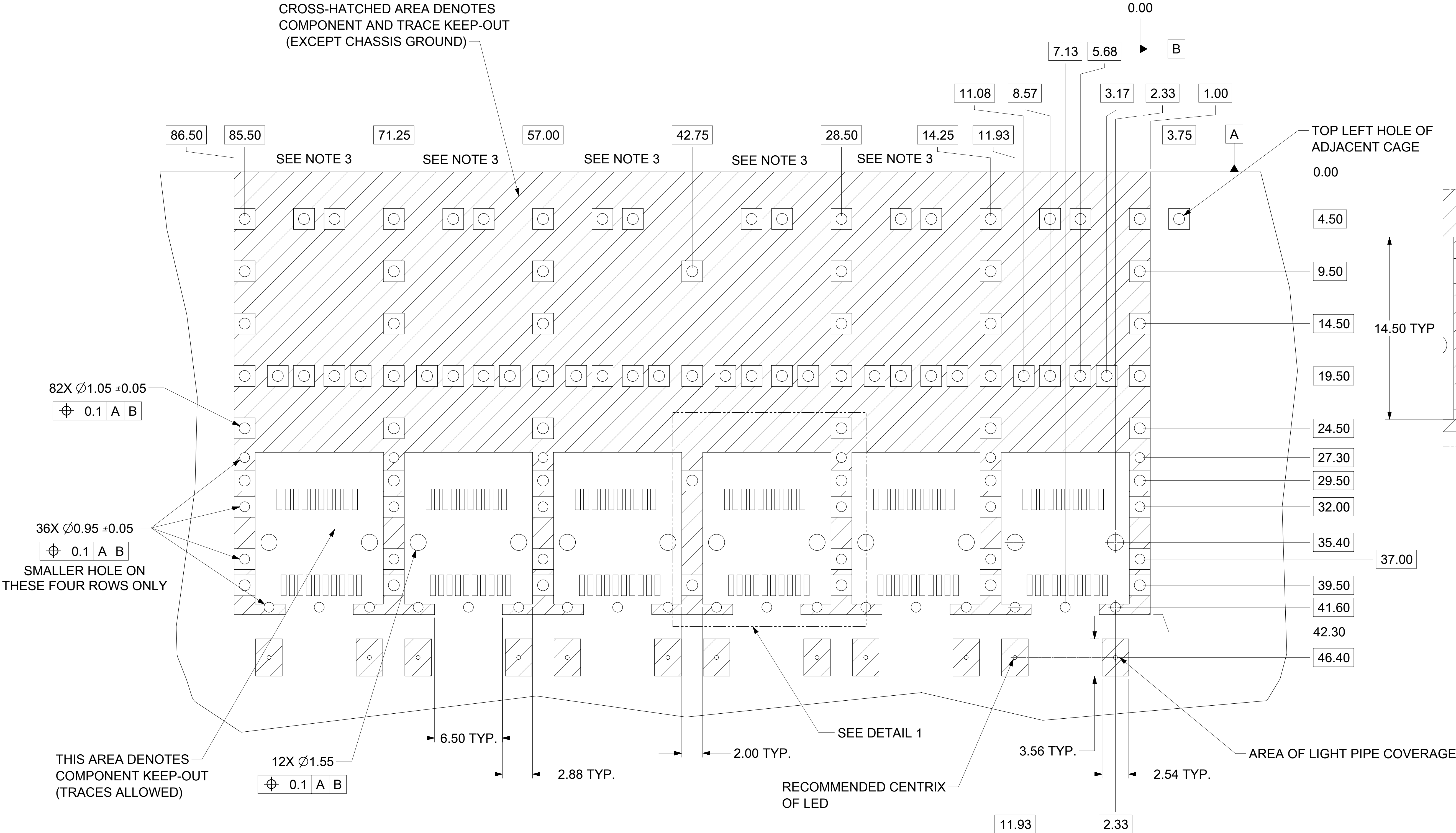
WEEK/YEAR DATE CODE TABLE	
WK	WEEK OF THE YEAR 01 THRU 52 (EXAMPLE: 01= FIRST WEEK OF YEAR 52= LAST WEEK OF YEAR)
YR	19, 20, 21 ETC.. (EXAMPLE: YEAR 2019= 19)

- NOTES:
- THIS LIGHT PIPE ASSEMBLY TO BE USED WITH THE FOLLOWING 1X6 SFP CAGE ASSEMBLIES:
747470001 - 1X6 SFP CAGE ASSEMBLY, W/ PRESS FIT PINS, W/ 2.286mm GASKET (REFER TO DOCUMENT SD-74747-001)
747470003 - 1X6 SFP CAGE ASSEMBLY, W/ SPRING FINGER GASKET. (REFER TO DOCUMENT SD-74747-003)
 - IT IS RECOMMENDED THAT THE CAGE ASSEMBLY BE PRESSED INTO THE PCB PRIOR TO ASSEMBLING THE LIGHT PIPE ASSEMBLY.
 - LED'S TO HAVE A MAXIMUM HEIGHT OF 1.4mm AND A MINIMUM HEIGHT OF 0.7mm.
 - RECOMMENDED LED'S INCLUDE THE FOLLOWING MANUFACTURES:
DIALIGHT: 597-77x1-5xx SERIES
CHICAGO MINIATURE: 7016 SERIES
KINGBRIGHT: APBL3025 SERIES (BICOLOR)
APL3015 SERIES (SINGLE COLOR)
 - THIS PART MEETS THE RESTRICTION OF HAZARDOUS SUBSTANCES IN ELECTRICAL AND ELECTRONIC EQUIPMENT (ROHS) DIRECTIVE (2002/95/EC).

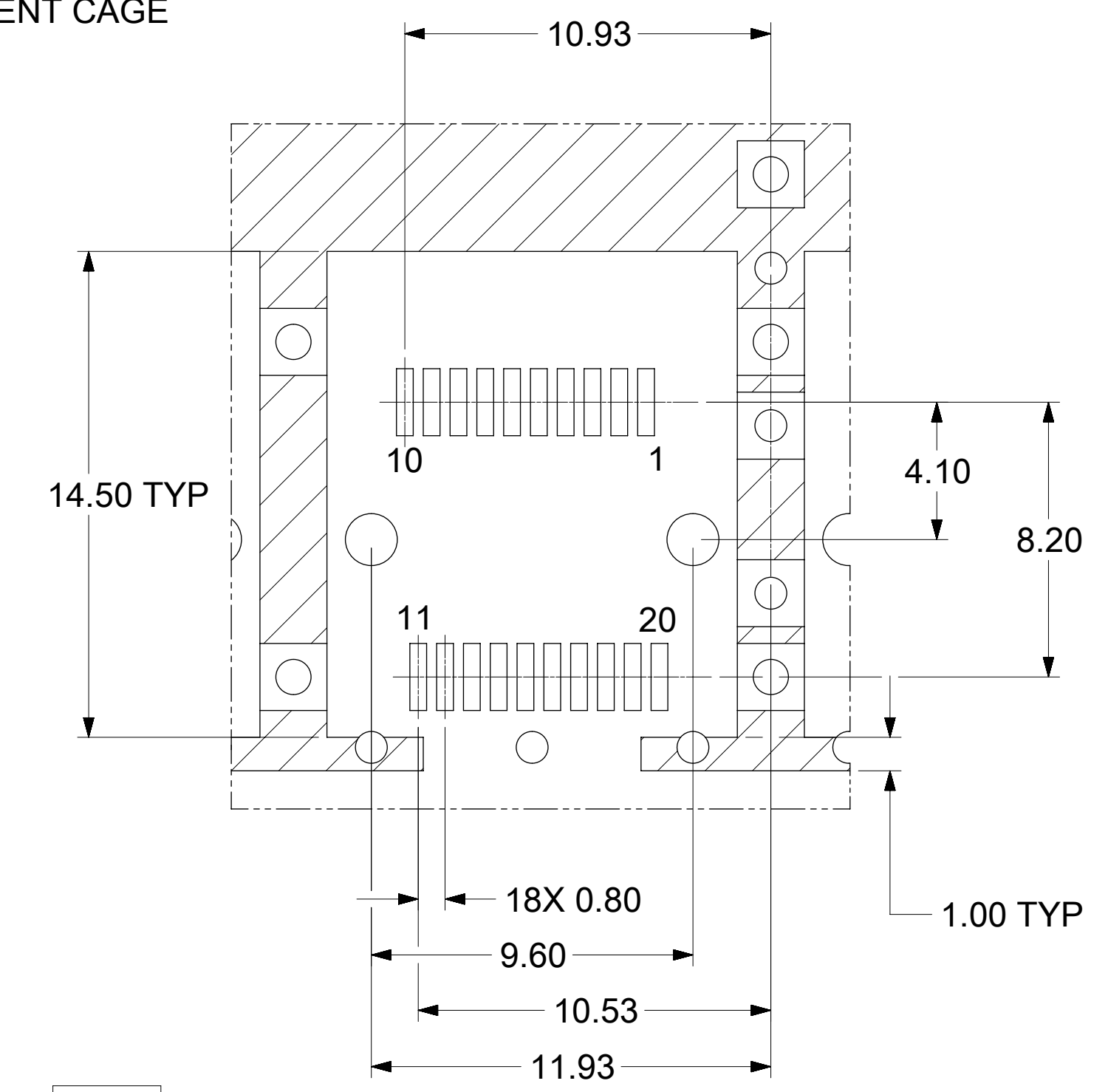
SYMBOLS	THIS DRAWING CONTAINS INFORMATION THAT IS PROPRIETARY TO MOLEX ELECTRONIC TECHNOLOGIES, LLC AND SHOULD NOT BE USED WITHOUT WRITTEN PERMISSION		CURRENT REV DESC: SEE REVISION TABLE	
	DIMENSION UNITS	SCALE		
▽ = 0	mm	3:1		1X6 SFP LIGHT PIPE ASSEMBLY, BACK-TOP, LOW PROFILE PRODUCT CUSTOMER DRAWING
▽ = 0	GENERAL TOLERANCES (UNLESS SPECIFIED)			
▽ = 0	ANGULAR TOL ± 1.0°			DOCUMENT NUMBER
▽ = 0	4 PLACES ±			747480002
▽ = 0	3 PLACES ±			PSD ASY D
▽ = 0	2 PLACES ± 0.13			MATERIAL NUMBER
▽ = 0	1 PLACE ± 0.25			747480002
▽ = 0	0 PLACES ±			CUSTOMER
⊠ = 0	DRAFT WHERE APPLICABLE MUST REMAIN WITHIN DIMENSIONS		THIRD ANGLE PROJECTION	SHEET NUMBER
▽ = 0			D-SIZE 74748	1 OF 5

PCB LAYOUT FOR BELLY TO BELLY MOUNTING

CROSS-HATCHED AREA DENOTES
COMPONENT AND TRACE KEEP-OUT
(EXCEPT CHASSIS GROUND)



HOST CONNECTOR DETAIL



DETAIL 1
SCALE 6:1

- NOTES:
 1. PADS AND VIAS GO TO CHASSIS GROUND.
 2. CAGE MOUNTING THRU HOLES (94 PLACES) TO BE PLATED.
 SPACING BETWEEN PORTS IS 14.25mm.

SYMBOLS		THIS DRAWING CONTAINS INFORMATION THAT IS PROPRIETARY TO MOLEX ELECTRONIC TECHNOLOGIES, LLC AND SHOULD NOT BE USED WITHOUT WRITTEN PERMISSION	
▽ = 0	mm	SCALE	5:1
GENERAL TOLERANCES (UNLESS SPECIFIED)		CURRENT REV DESC: SEE REVISION TABLE	
▽ = 0	ANGULAR TOL	±	1.0°
▽ = 0	4 PLACES	±	
▽ = 0	3 PLACES	±	
▽ = 0	2 PLACES	±	0.13
▽ = 0	1 PLACE	±	0.25
▽ = 0	0 PLACES	±	
▽ = 0	DRAFT WHERE APPLICABLE MUST REMAIN WITHIN DIMENSIONS	THIRD ANGLE PROJECTION	DRAWING
▽ = 0		D-SIZE	74748
SERIES		MATERIAL NUMBER	CUSTOMER
74748		747480002	
SHEET NUMBER		2 OF 5	

EC NO: 610385
 DRWN: PMAHADEVAPPA 2018/12/14
 CHK'D: VK10 2019/01/14
 APPR: RCHEN08 2019/01/15

INITIAL REVISION:
 DRWN: PMAHADEVAPPA 2018/12/14
 APPR: RCHEN08 2019/01/15

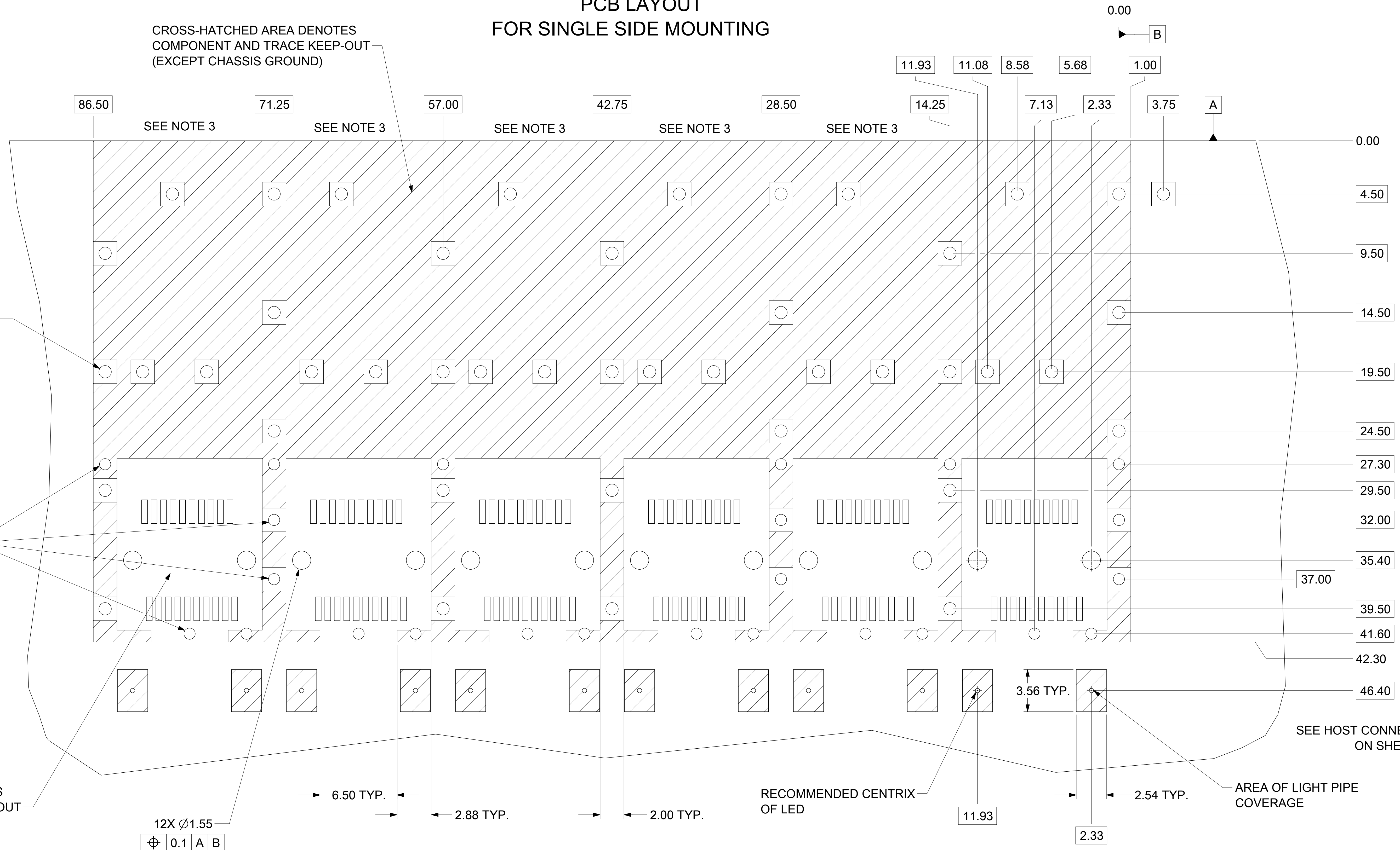
1X6 SFP LIGHT PIPE
ASSEMBLY, BACK-TOP, LOW PROFILE

PRODUCT CUSTOMER DRAWING

DOCUMENT NUMBER	DOC TYPE	DOC PART	REVISION
747480002	PSD	ASY	D

PCB LAYOUT FOR SINGLE SIDE MOUNTING

CROSS-HATCHED AREA DENOTES COMPONENT AND TRACE KEEP-OUT (EXCEPT CHASSIS GROUND)



43X $\varnothing 1.05 \pm 0.05$
 $\varnothing 0.1$ A B

24X $\varnothing 0.95 \pm 0.05$
 $\varnothing 0.1$ A B
 SMALLER HOLE ON THESE FOUR ROWS ONLY

THIS AREA DENOTES COMPONENT KEEP-OUT (TRACES ALLOWED)

12X $\varnothing 1.55$
 $\varnothing 0.1$ A B

- NOTES:
- PADS AND VIAS GO TO CHASSIS GROUND.
 - CAGE MOUNTING THRU HOLES (49 PLACES) TO BE PLATED.
 - HOLE PATTERN REPEATS FOR EACH PORT, SPACING BETWEEN PORTS IS 14.25mm.

SEE HOST CONNECTOR DETAIL ON SHEET 2

AREA OF LIGHT PIPE COVERAGE

RECOMMENDED CENTRIX OF LED

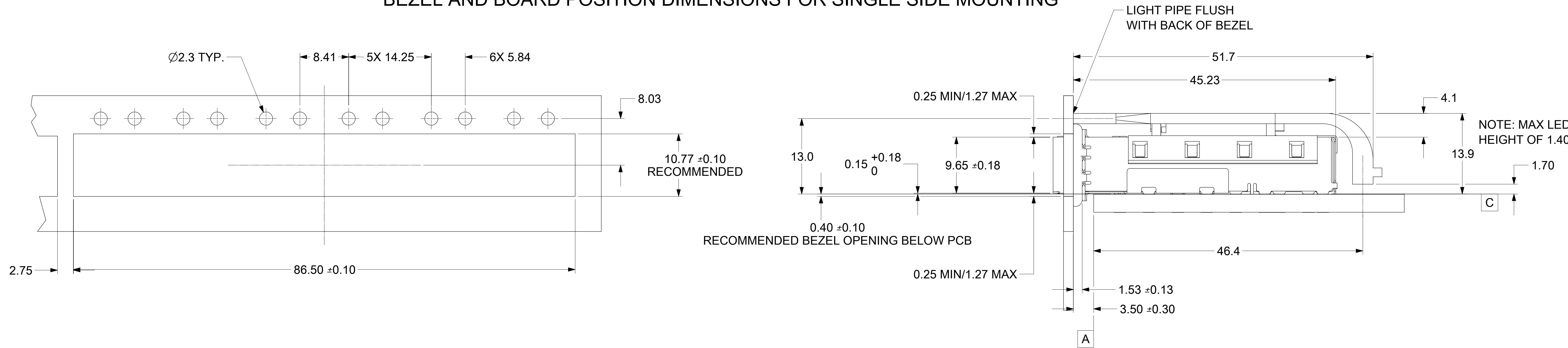
SYMBOLS		THIS DRAWING CONTAINS INFORMATION THAT IS PROPRIETARY TO MOLEX ELECTRONIC TECHNOLOGIES, LLC AND SHOULD NOT BE USED WITHOUT WRITTEN PERMISSION	
$\nabla = 0$	DIMENSION UNITS	SCALE	CURRENT REV DESC: SEE REVISION TABLE
$\nabla = 0$	mm	6:1	
$\nabla = 0$	GENERAL TOLERANCES (UNLESS SPECIFIED)		
$\nabla = 0$	ANGULAR TOL	$\pm 1.0^\circ$	EC NO: 610385
$\nabla = 0$	4 PLACES	\pm	DRWN: PMAHADEVAPPA 2018/12/14
$\nabla = 0$	3 PLACES	\pm	CHK'D: VK10 2019/01/14
$\nabla = 0$	2 PLACES	± 0.13	APPR: RCHEN08 2019/01/15
$\nabla = 0$	1 PLACE	± 0.25	INITIAL REVISION:
$\nabla = 0$	0 PLACES	\pm	DRWN: PMAHADEVAPPA 2018/12/14
$\nabla = 0$	DRAFT WHERE APPLICABLE MUST REMAIN WITHIN DIMENSIONS		APPR: RCHEN08 2019/01/15
$\nabla = 0$	THIRD ANGLE PROJECTION	DRAWING	SERIES
$\nabla = 0$		D-SIZE	74748
DOCUMENT NUMBER		MATERIAL NUMBER	CUSTOMER
747480002		747480002	
DOC TYPE		DOC PART	REVISION
PSD		ASY	D
SHEET NUMBER		3 OF 5	

molex

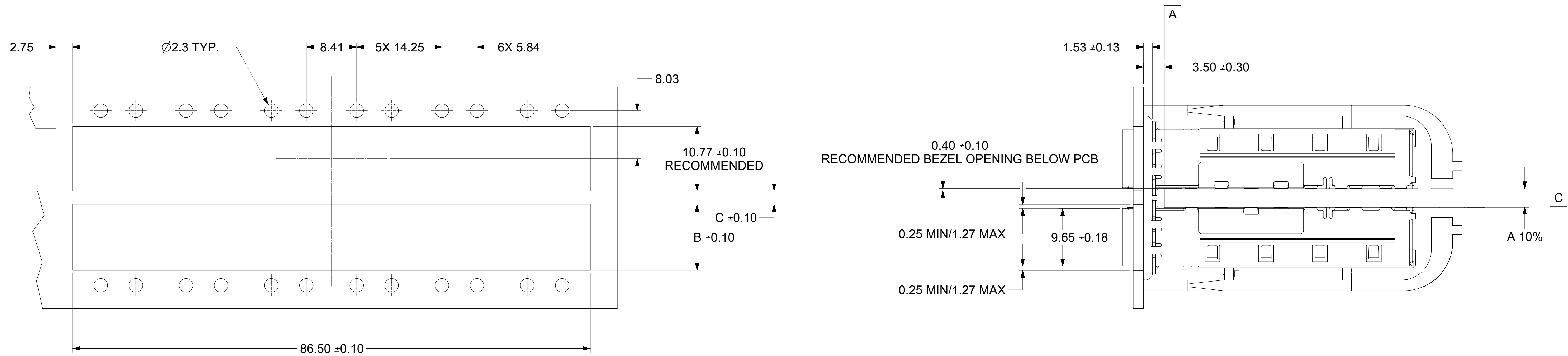
1X6 SFP LIGHT PIPE ASSEMBLY, BACK-TOP, LOW PROFILE

PRODUCT CUSTOMER DRAWING

BEZEL AND BOARD POSITION DIMENSIONS FOR SINGLE SIDE MOUNTING



BEZEL AND BOARD POSITION DIMENSIONS FOR BELLY TO BELLY MOUNTING


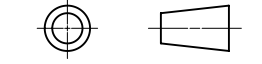


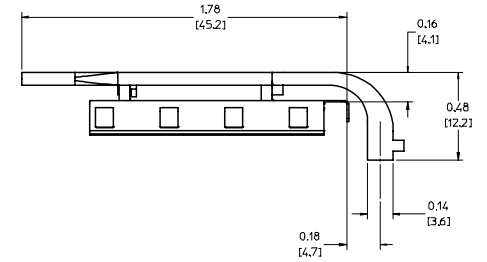
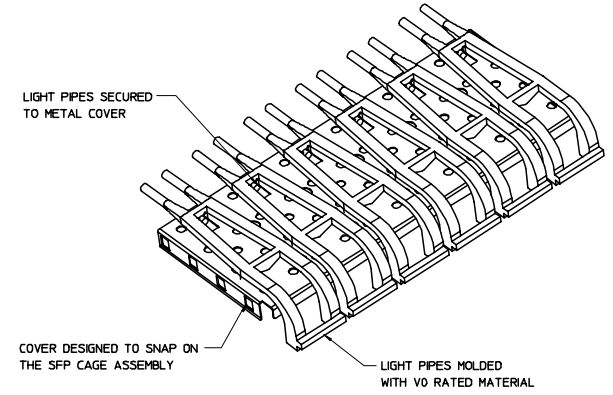
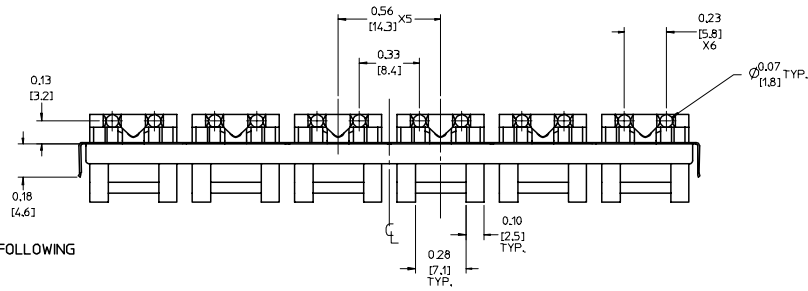
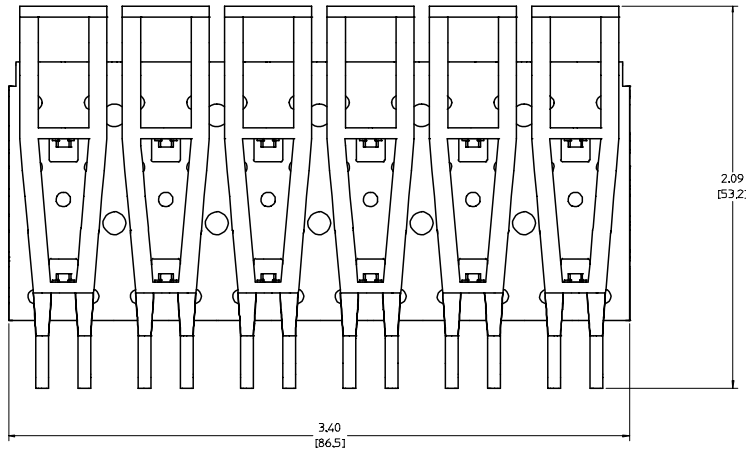
NOTE: FOR A GIVEN BOARD THICKNESS (A), DIMENSIONS (B) AND (C) ARE DIRECTLY AFFECTED. USE RECOMMENDED DIMENSIONS AND TOLERANCES TO AID IN DEVELOPING BEZEL OPENING. FOR EXAMPLE USING A BOARD THICKNESS OF 3.18mm THE RECOMMENDED VALUES WOULD BE:

A = 3.18 ± 10%
 B = 11.03 ± 0.10
 C = 2.23 ± 0.10

SYMBOLS	THIS DRAWING CONTAINS INFORMATION THAT IS PROPRIETARY TO MOLEX ELECTRONIC TECHNOLOGIES, LLC AND SHOULD NOT BE USED WITHOUT WRITTEN PERMISSION		CURRENT REV DESC: SEE REVISION TABLE			
	DIMENSION UNITS	SCALE				
▽ = 0	mm	3:1	EC NO: 610385		1X6 SFP LIGHT PIPE ASSEMBLY, BACK-TOP, LOW PROFILE	
▽ = 0	GENERAL TOLERANCES (UNLESS SPECIFIED)		DRWN: PMAHADEVAPPA 2018/12/14		PRODUCT CUSTOMER DRAWING	
▽ = 0	ANGULAR TOL ± 1.0°		CHK'D: VK10 2019/01/14		DOCUMENT NUMBER	
▽ = 0	4 PLACES ±		APPR: RCHEN08 2019/01/15		747480002	
▽ = 0	3 PLACES ±		INITIAL REVISION:		DOC TYPE	
▽ = 0	2 PLACES ± 0.13		DRWN: PMAHADEVAPPA 2018/12/14		PSD	
▽ = 0	1 PLACE ± 0.25		APPR: RCHEN08 2019/01/15		DOC PART	
▽ = 0	0 PLACES ±		DRAFT WHERE APPLICABLE MUST REMAIN WITHIN DIMENSIONS		AS Y	
⊗ = 0	THIRD ANGLE PROJECTION		DRAWING		REVISION	
⊗ = 0	D-DRAWING		SERIES		D	
⊗ = 0	D-D-SIZE		MATERIAL NUMBER		SHEET NUMBER	
⊗ = 0	74748		CUSTOMER		4 OF 5	
⊗ = 0	747480002		SHEET NUMBER		4 OF 5	

DATE	REV	DESCRIPTION
2004/04/15	1	PRELIMINARY DOCUMENT
2004/07/08	A	INITIAL RELEASE
2005/06/03	B	1.CORRECTED P/N FOR DIALIGHT LED 2.DOCUMENT CHANGE ONLY
2005/06/10	C	UPDATED VIEWS TO SHOW CLEARANCE HOLES ADDED TO THE COVER
2019/01/14	D	1.REMASTERED FROM SD-74748-002 REV_C TO 747480002 PSD ASY REV_D IN NX/ECTR. 2.REMOVED INCH DIMENSIONS IN ALL SHEETS. 3. SHEET 1: F4 : VIEW ADDED FOR DATE CODE REPRESENTATION.

SYMBOLS	THIS DRAWING CONTAINS INFORMATION THAT IS PROPRIETARY TO MOLEX ELECTRONIC TECHNOLOGIES, LLC AND SHOULD NOT BE USED WITHOUT WRITTEN PERMISSION															
	DIMENSION UNITS		SCALE		CURRENT REV DESC: SEE REVISION TABLE											
	mm		1:1		 <p>1X6 SFP LIGHT PIPE ASSEMBLY, BACK-TOP, LOW PROFILE</p> <p>PRODUCT CUSTOMER DRAWING</p> <p>EC NO: 610385 DRWN: PMAHADEVAPPA 2018/12/14 CHK'D: VK10 2019/01/14 APPR: RCHEN08 2019/01/15</p> <p>INITIAL REVISION: DRWN: PMAHADEVAPPA 2018/12/14 APPR: RCHEN08 2019/01/15</p>											
	GENERAL TOLERANCES (UNLESS SPECIFIED)															
	ANGULAR TOL		± 1.0°													
	4 PLACES		±													
	3 PLACES		±													
	2 PLACES		± 0.13													
	1 PLACE		± 0.25													
	0 PLACES		±													
DRAFT WHERE APPLICABLE MUST REMAIN WITHIN DIMENSIONS				THIRD ANGLE PROJECTION							DRAWING		SERIES			
				D-SIZE							74748		MATERIAL NUMBER			
								CUSTOMER								
								SHEET NUMBER								
								5 OF 5								



NOTES:

1. THIS LIGHT PIPE ASSEMBLY TO BE USED WITH THE FOLLOWING 1X6 SFP CAGE ASSEMBLIES:

747470001 - 1X6 SFP CAGE ASSEMBLY, W/ PRESS FIT PINS, W/ 0.090 GASKET (REFER TO DOCUMENT SD-74747-001)

747470003 - 1X6 SFP CAGE ASSEMBLY, W/ SPRING FINGER GASKET. (REFER TO DOCUMENT SD-74747-003)

2. IT IS RECOMMENDED THAT THE CAGE ASSEMBLY BE PRESSED INTO THE PCB PRIOR TO ASSEMBLING THE LIGHT PIPE ASSEMBLY.

3. LED'S TO HAVE A MAXIMUM HEIGHT OF 1.4mm AND A MINIMUM HEIGHT OF 0.7mm.

4. RECOMMENDED LED'S INCLUDE THE FOLLOWING MANUFACTURERS:

DIALIGHT: 597-77x1-5xx SERIES

CHICAGO MINIATURE: 7016 SERIES

KINGBRIGHT: APBL3025 SERIES (BICOLOR)
APL3015 SERIES (SINGLE COLOR)

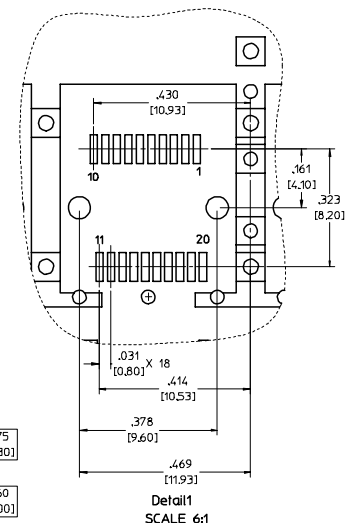
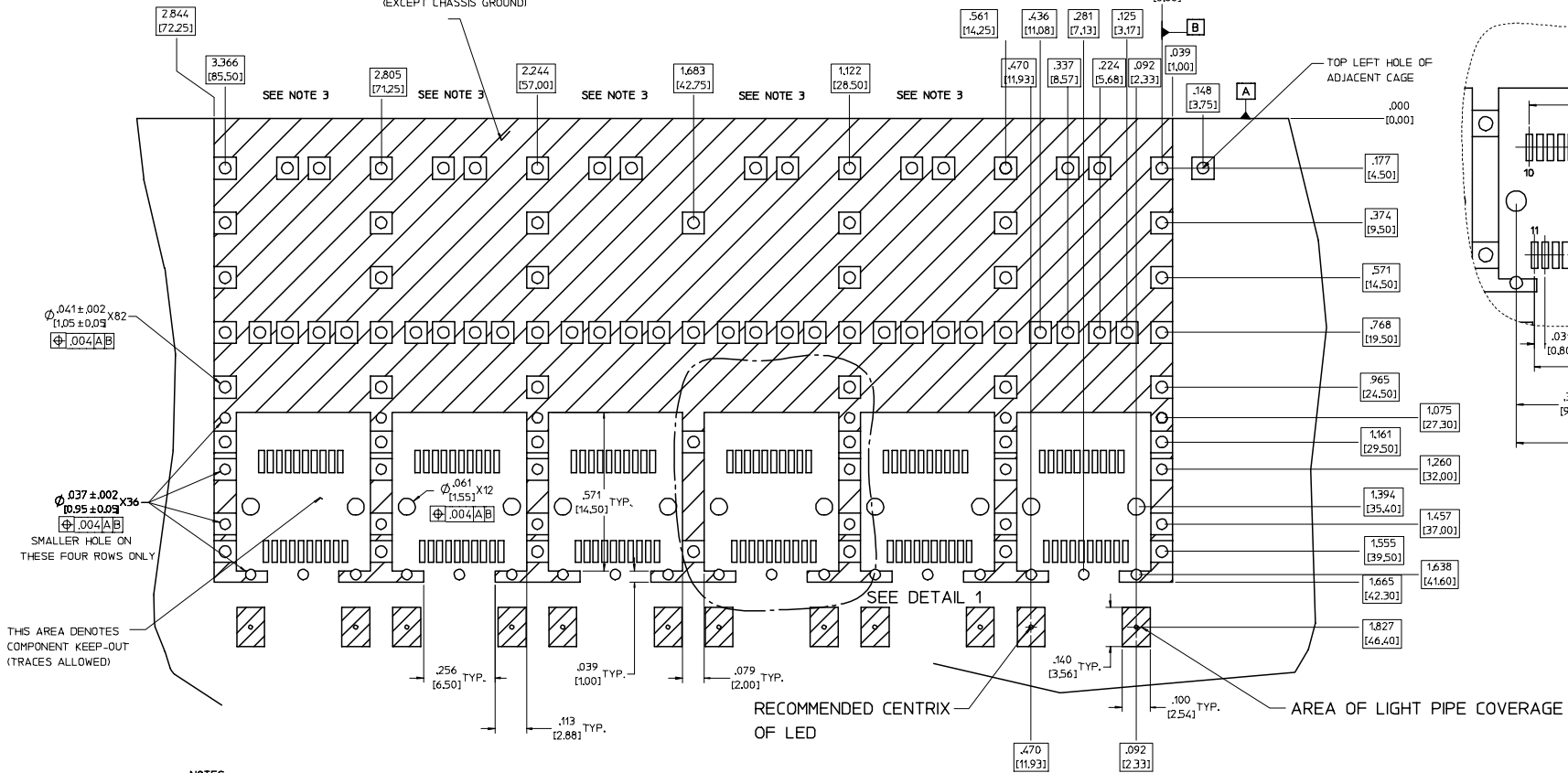
5. THIS PART MEETS THE RESTRICTION OF HAZARDOUS SUBSTANCES IN ELECTRICAL AND ELECTRONIC EQUIPMENT (ROHS) DIRECTIVE (2002/95/EC).

ENTER DESCRIPTION EC NO: UST2006-0008 TORWANSI MONSON 2005/07/15 CHFKBRUSSELL 2005/07/15 APPR:BRUSSELL 2005/07/25	QUALITY SYMBOLS 	GENERAL TOLERANCES (UNLESS SPECIFIED)		DIMENSION STYLE IN/MM		SCALE 3:1	DESIGN UNITS METRIC	THIRD ANGLE PROJECTION
		4 PLACES ± --- ± --- 3 PLACES ± --- ± .005 2 PLACES ± 0.13 ± .01 1 PLACE ± 0.25 ± ---	mm INCH	DRAWN BY KS IMONSO	DATE 2004/07/08	TITLE 1X6 SFP LIGHT PIPE ASSEMBLY, BACK-TOP, LOW PROFILE		
		ANGULAR ± 1 °		CHECKED BY BRUSSELL	DATE 2004/07/08	MATERIAL MOLEX INCORPORATED		
		DRAFT WHERE APPLICABLE MUST REMAIN WITHIN DIMENSIONS		APPROVED BY BRUSSELL	DATE 2004/07/08	MATERIAL NO. 747480002	DOCUMENT NO. SD-74748-002	

PCB LAYOUT FOR BELLY TO BELLY MOUNTING

CROSS-HATCHED AREA DENOTES
COMPONENT AND TRACE KEEP-OUT
(EXCEPT CHASSIS GROUND)

HOST CONNECTOR DETAIL

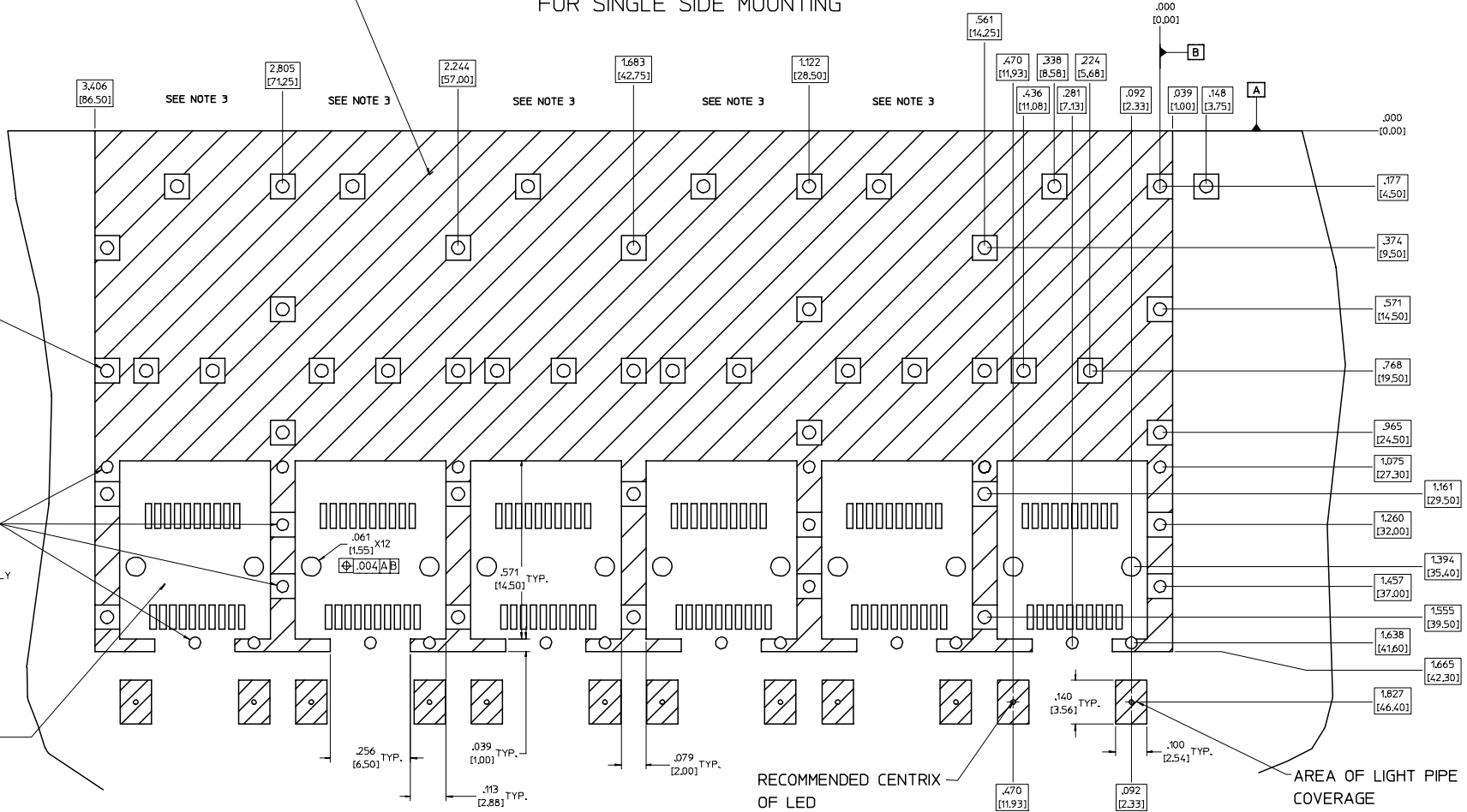


- NOTES:
1. PADS AND VIAS GO TO CHASSIS GROUND.
 2. CAGE MOUNTING THRU HOLES (94 PLACES) TO BE PLATED. SPACING BETWEEN PORTS IS 5.61 [14.25]

ENTER DESCRIPTION EC NO: UST2006-0008 DRAWN BY: JORDANSON 2005/07/15 CHECKED BY: CHUCK BRUSSELL 2005/07/15 APPR: BRUSSELL 2005/07/25 REV DESCRIPTION	QUALITY SYMBOLS	GENERAL TOLERANCES (UNLESS SPECIFIED)	DIMENSION STYLE	SCALE	DESIGN UNITS	THIRD ANGLE PROJECTION	
	$\nabla = 0$ $\nabla = 0$	4 PLACES ± .005 ± .005 3 PLACES ± .005 ± .005 2 PLACES ± 0.13 ± .01 1 PLACE ± 0.25 ± .01 ANGULAR ± 1°	IN/MM INCH	IN/MM DATE	5:1	METRIC	THIRD ANGLE PROJECTION
	DRAFT WHERE APPLICABLE MUST REMAIN WITHIN DIMENSIONS	MATERIAL NO: 747480002	DRAWN BY: KS IMONSO 2004/07/08	DATE: 2004/07/08			TITLE: 1X6 SFP LIGHT PIPE ASSEMBLY, BACK-TOP, LOW PROFILE
		DOCUMENT NO: SD-74748-002	CHECKED BY: BRUSSELL 2004/07/08	DATE: 2004/07/08			MOLEX INCORPORATED
		APPROVED BY: BRUSSELL 2004/07/08	DATE: 2004/07/08			MATERIAL NO: 747480002	
						DOCUMENT NO: SD-74748-002	
						SHEET NO: 2 OF 5	

PCB LAYOUT FOR SINGLE SIDE MOUNTING

CROSS-HATCHED AREA DENOTES
COMPONENT AND TRACE KEEP-OUT
(EXCEPT CHASSIS GROUND)



$\varnothing .041 \pm .002$
[1.05 ± 0.05] X43
[Φ] .004 [A] [B]

$\varnothing .037 \pm .002$
[0.95 ± 0.05] X24
[Φ] .004 [A] [B]
SMALLER HOLE ON
THESE FOUR ROWS ONLY

THIS AREA DENOTES
COMPONENT KEEP-OUT
(TRACES ALLOWED)

- NOTES:
1. PADS AND VIAS GO TO CHASSIS GROUND.
 2. GAGE MOUNTING THRU HOLES (49 PLACES) TO BE PLATED.
 3. HOLE PATTERN REPEATS FOR EACH PORT.
SPACING BETWEEN PORTS IS 14.25mm.

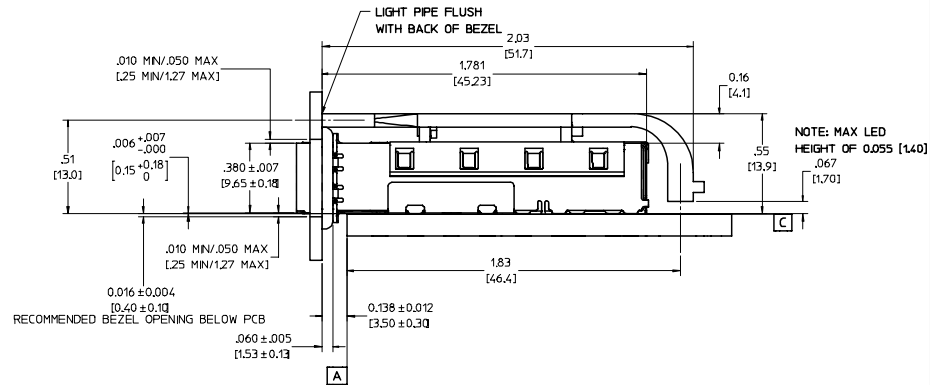
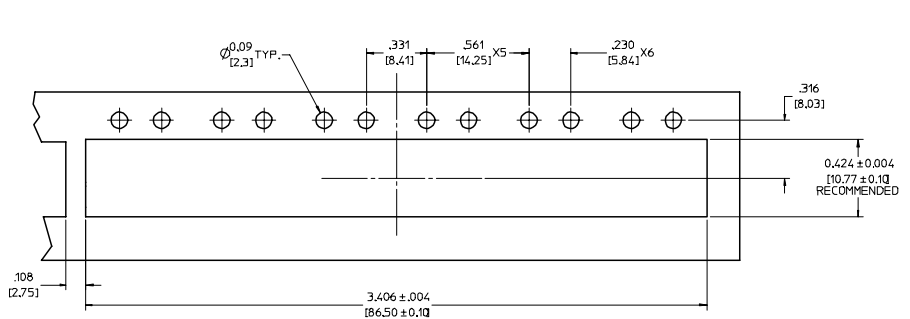
RECOMMENDED CENTRIX
OF LED

AREA OF LIGHT PIPE
COVERAGE

ENTER DESCRIPTION EC NO: UST2006-0008 DRAWN BY: JORWANKS MONSON 2005/07/15 CHECKED BY: CHFKBRUSSELL 2005/07/15 APPR: BRUSSELL 2005/07/25	QUALITY SYMBOLS	GENERAL TOLERANCES (UNLESS SPECIFIED)	DIMENSION STYLE	SCALE	DESIGN UNITS	THIRD ANGLE PROJECTION
	$\nabla=0$ $\nabla=0$	mm INCH 4 PLACES ± --- ± --- 3 PLACES ± --- ± .005 2 PLACES ± 0.13 ± .01 1 PLACE ± 0.25 ± --- ANGULAR ± 1 °	IN/MM DRAWN BY: KS IMONSO 2004/07/08 CHECKED BY: BRUSSELL 2004/07/08 APPROVED BY: BRUSSELL 2004/07/08	6:1	METRIC	TITLE: 1X6 SFP LIGHT PIPE ASSEMBLY, BACK-TOP, LOW PROFILE MOLEX INCORPORATED
	DRAFT WHERE APPLICABLE MUST REMAIN WITHIN DIMENSIONS	MATERIAL NO: 747480002	DOCUMENT NO: SD-74748-002	SHEET NO: 3 OF 5		
	SIZE D	THIS DRAWING CONTAINS INFORMATION THAT IS PROPRIETARY TO MOLEX INCORPORATED AND SHOULD NOT BE USED WITHOUT WRITTEN PERMISSION				

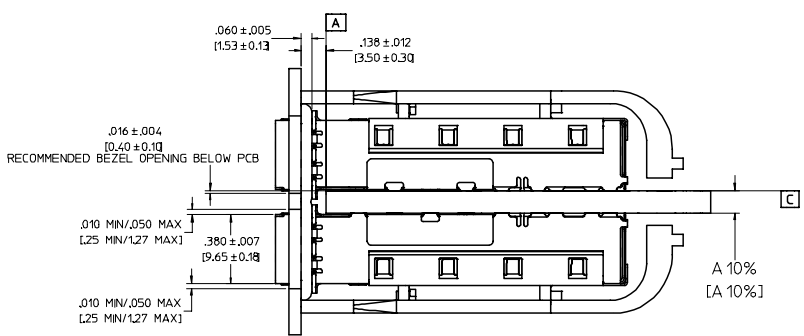
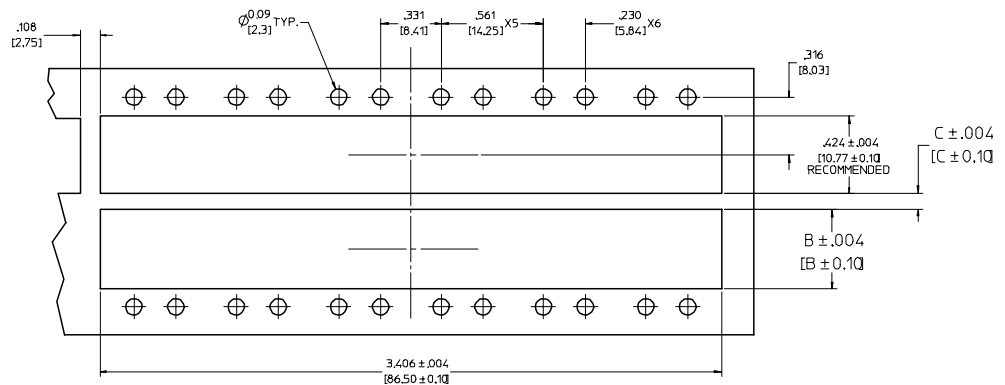
20 19 18 17 16 15 14 13 12 11 10 9 8 7 6 5 4 3 2 1

M
L
K
J
I
H
G
F
E
D
C
B
A



BEZEL AND BOARD POSITION DIMENSIONS FOR SINGLE SIDE MOUNTING

BEZEL AND BOARD POSITION DIMENSIONS FOR BELLY TO BELLY MOUNTING



NOTE: FOR A GIVEN BOARD THICKNESS (A), DIMENSIONS (B) AND (C) ARE DIRECTLY AFFECTED.

USE RECOMMENDED DIMENSIONS AND TOLERANCES TO AID IN DEVELOPING BEZEL OPENING.

FOR EXAMPLE USING A BOARD THICKNESS OF .125" THE RECOMMENDED VALUES WOULD BE:

- A= .125/3.18 ± 10%
- B= .434/11.03 ± .004
- C= .088/2.23 ± .004

ENTER DESCRIPTION EC NO: UST2006-0008 DR: WINKS/IMONSO 2005/07/15 CHKD: BRUSSELL 2005/07/15 APPR: BRUSSELL 2005/07/25	QUALITY SYMBOLS	GENERAL TOLERANCES (UNLESS SPECIFIED)	DIMENSION STYLE	SCALE	DESIGN UNITS	THIRD ANGLE PROJECTION
	▽=0 ▽=0	mm INCH 2 PLACES ± --- ± --- 3 PLACES ± --- ± .005 2 PLACES ± 0.13 ± .01 1 PLACE ± 0.25 ± --- ANGULAR ± 1 °	IN/MM DRAWN BY DATE KS IMONSO 2004/07/08 CHECKED BY DATE BRUSSELL 2004/07/08 APPROVED BY DATE BRUSSELL 2004/07/08	4:1	METRIC	TITLE 1X6 SFP LIGHT PIPE ASSEMBLY, BACK-TOP, LOW PROFILE MOLEX INCORPORATED
	DRAFT WHERE APPLICABLE MUST REMAIN WITHIN DIMENSIONS	MATERIAL NO. 747480002	DOCUMENT NO. SD-74748-002	SHEET NO. 4 OF 5		
	SIZE D	THIS DRAWING CONTAINS INFORMATION THAT IS PROPRIETARY TO MOLEX INCORPORATED AND SHOULD NOT BE USED WITHOUT WRITTEN PERMISSION				

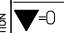
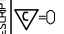

19 18 17 16 15 14 13 12 11 10 9 8 7 6 5 4 3 2 1

20 19 18 17 16 15 14 13 12 11 10 9 8 7 6 5 4 3 2 1

M
L
K
J
I
H
G
F
E
D
C
B
A

M
L
K
J
I
H
G
F
E
D
C
B
A

DATE	REV	CHANGES	COMMENTS
2004/04/15	1	PRELIMINARY DOCUMENT	N/A
2004/07/08	A	INITIAL RELEASE	N/A
2005/06/03	B	CORRECTED P/N FOR DIALIGHT LED	DOCUMENT CHANGE ONLY
2005/06/10	C	UPDATED VIEWS TO SHOW CLEARANCE HOLES ADDED TO THE COVER	N/A

ENTER DESCRIPTION EC NO: UST2006-0008 DRAWN BY: JORWANKI MONSON 2005/07/15 CHECKED BY: CHFKO BRUSSELL 2005/07/15 APPROVED BY: BRUSSELL 2005/07/25	QUALITY SYMBOLS  = 0  = 0	GENERAL TOLERANCES (UNLESS SPECIFIED)		DIMENSION STYLE IN/MM		SCALE 1:1	DESIGN UNITS METRIC	 THIRD ANGLE PROJECTION	
		4 PLACES ± --- ± --- 3 PLACES ± --- ± .005 2 PLACES ± 0.13 ± .01 1 PLACE ± 0.25 ± ---	mm INCH	DRAWN BY KS IMONSO	DATE 2004/07/08	TITLE 1X6 SFP LIGHT PIPE ASSEMBLY, BACK-TOP, LOW PROFILE			
		ANGULAR ± 1 °		CHECKED BY BRUSSELL	DATE 2004/07/08	APPROVED BY BRUSSELL			DATE 2004/07/08
		DRAFT WHERE APPLICABLE MUST REMAIN WITHIN DIMENSIONS		MATERIAL NO. 747480002	DOCUMENT NO. SD-74748-002	MOLEX INCORPORATED			SHEET NO. 5 OF 5

19 18 17 16 15 14 13 12 11 10 9 8 7 6 5 4 3 2 1