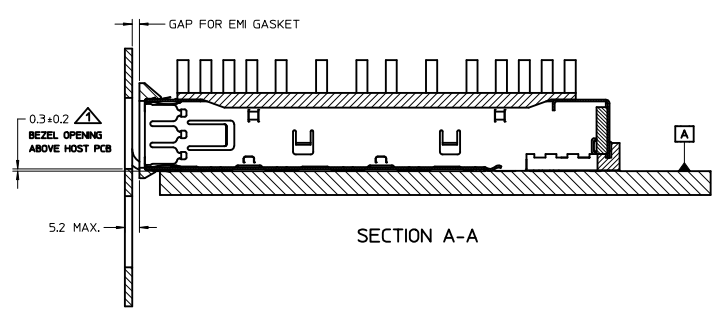
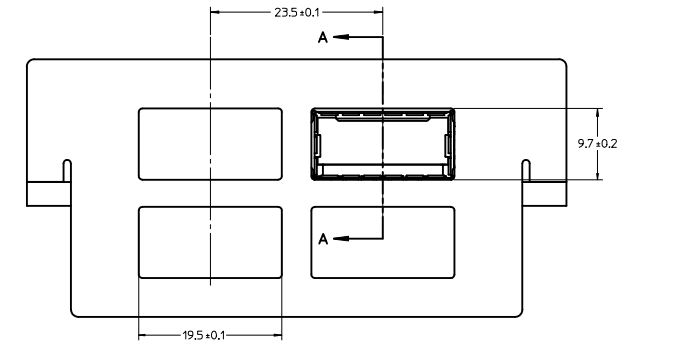
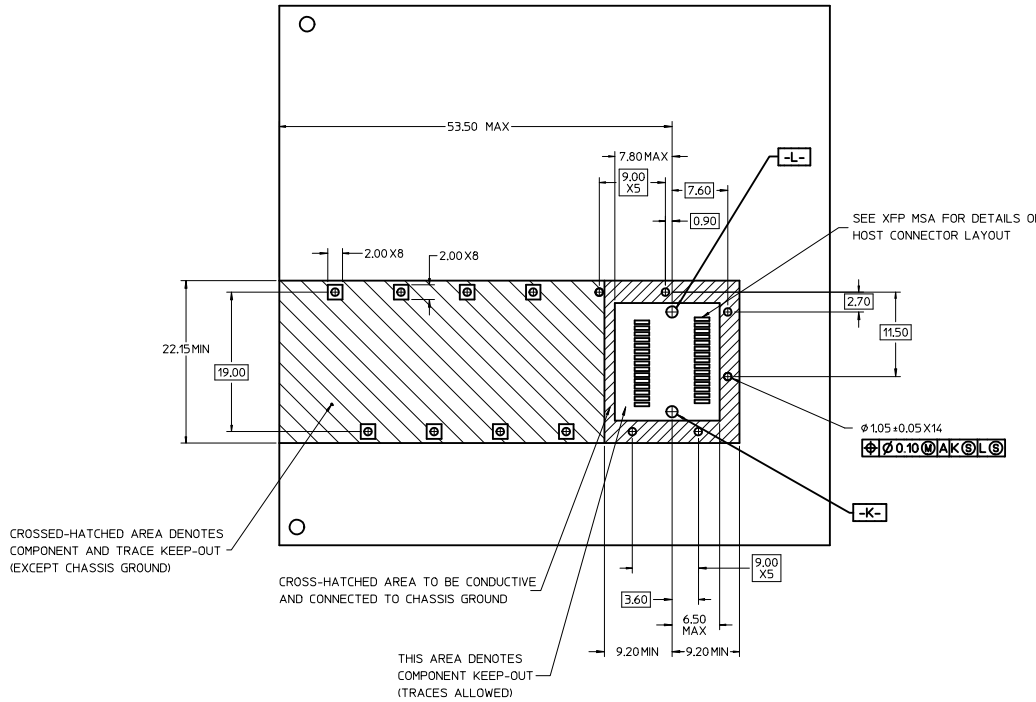


1. PRESS FIT LEGS 2.28mm [0.090"]
2. SINGLE SIDED BOARD THICKNESS  
 NOMINAL: 1.60 [0.062"]  
 MINIMUM: 1.44 [0.057"]  
 BELLY TO BELLY BOARD THICKNESS  
 NOMINAL: 2.30 [0.090"]  
 MINIMUM: 2.07 [0.081"]
3. REFERENCE DOCUMENTS:  
 PRODUCT SPECIFICATION: XFP MSA
4. THIS PRODUCT MEETS THE RESTRICTION OF HAZARDOUS SUBSTANCES IN ELECTRICAL AND ELECTRONIC EQUIPMENT (RoHS) DIRECTIVE (2009/95/EC).

<b>ADDED NOTE PG 2</b> EC NO: USY2011-0301 DRAWN: JERWIN CHECKED: CHIRSCHY APPROVED: RAHMOOD DATE: 2010/03/10	QUALITY SYMBOLS ▽=0 ▽=0	GENERAL TOLERANCES (UNLESS SPECIFIED)		DIMENSION STYLE <b>MM ONLY</b>	SCALE <b>3:1</b>	DESIGN UNITS <b>METRIC</b>	THIRD ANGLE PROJECTION			
		4 PLACES ±0.10 ±0.004	3 PLACES ±0.15 ±0.005	2 PLACES ±0.25 ±0.008	1 PLACE ±0.25 ±0.010	ANGULAR ± 1°	DRAWN BY JERWIN DATE 2008/09/10	CHECKED BY CHIRSCHY DATE 2008/08/10	APPROVED BY RAHMOOD DATE 2010/11/23	TITLE <b>XFP CAGE ASSEMBLY W/ INSULATING TAPE</b>
		DRAFT WHERE APPLICABLE MUST REMAIN WITHIN DIMENSIONS			MATERIAL NO. <b>747360451</b>	DOCUMENT NO. <b>SD-74736-0451</b>	MOLEX INCORPORATED			SHEET NO. 1 OF 3
		THIS DRAWING CONTAINS INFORMATION THAT IS PROPRIETARY TO MOLEX INCORPORATED AND SHOULD NOT BE USED WITHOUT WRITTEN PERMISSION								

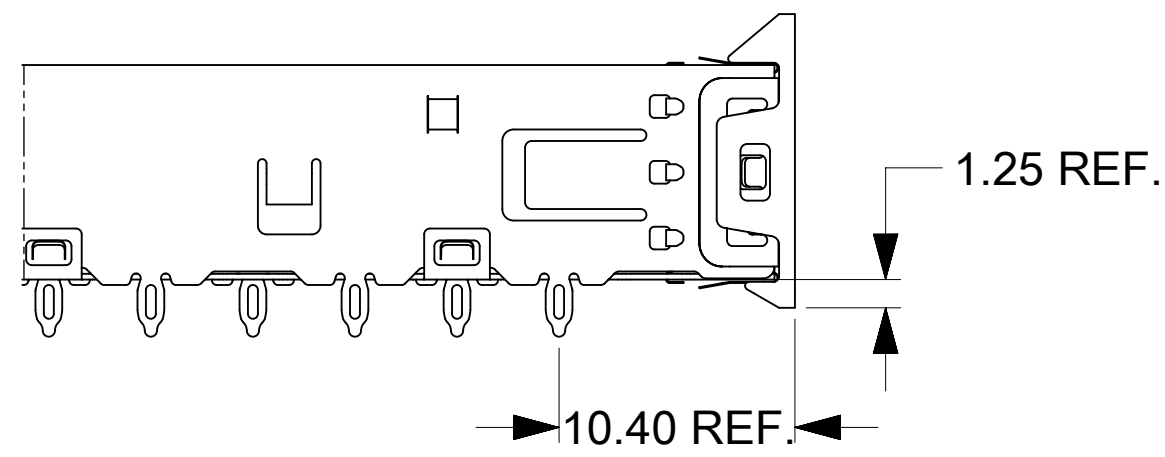
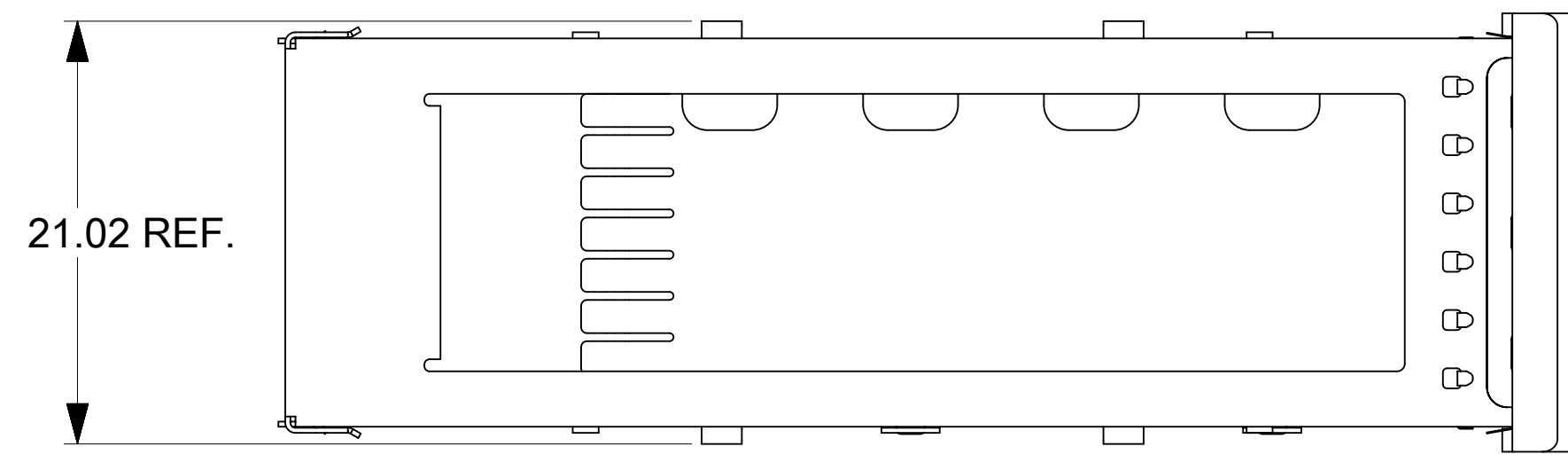


▲ FOR PCI APPLICATIONS RECOMMENDED DIMENSION IS 0.4 ± 0.1

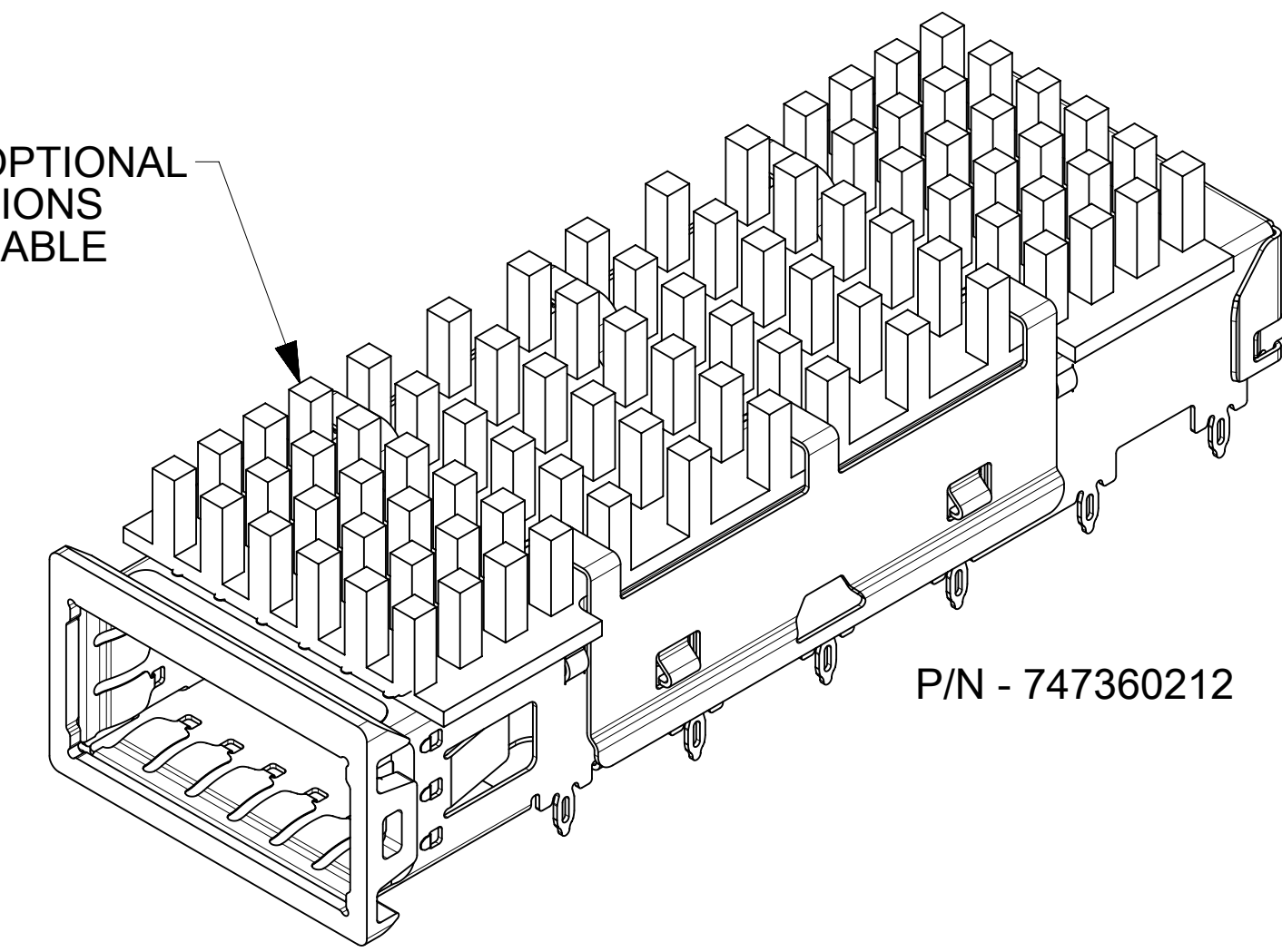
<b>ADDED NOTE PG 2</b> EC NO: USY2011-0301 DRAWN: JERWIN 2010/03/01 CHKD: CHIRSCHY APPR: RAHMOOD 2010/11/23	QUALITY SYMBOLS	GENERAL TOLERANCES (UNLESS SPECIFIED)	DIMENSION STYLE	SCALE	DESIGN UNITS	THIRD ANGLE PROJECTION	
	▽=0 ▽=0	mm INCH 4 PLACES ± --- ± --- 3 PLACES ± --- ± --- 2 PLACES ± 0.10 ± --- 1 PLACE ± 0.25 ± --- ANGULAR ± 1 °	MM ONLY	3:1	METRIC	TITLE XFP CAGE ASSEMBLY W/ INSULATING TAPE	
	DESCRIPTION XFP CAGE ASSEMBLY W/ INSULATING TAPE	DRAFT WHERE APPLICABLE MUST REMAIN WITHIN DIMENSIONS	DRAWN BY JERWIN CHECKED BY CHIRSCHY APPROVED BY RAHMOOD	DATE 2008/09/10 DATE 2008/08/10 DATE 2010/11/23	MATERIAL NO. 747360451	DOCUMENT NO. SD-74736-0451	SHEET NO. 2 OF 3
	MOLEX INCORPORATED						THIS DRAWING CONTAINS INFORMATION THAT IS PROPRIETARY TO MOLEX INCORPORATED AND SHOULD NOT BE USED WITHOUT WRITTEN PERMISSION

DATE	REV	DESCRIPTION
2008/09/10	A	1. INITIAL RELEASE
2009/05/07	B	1. REMOVED ISO VIEW FROM PAGE 1
		2. ADDED NOTES TO PAGE 1
		3. REMOVED NOTE 2 FROM PAGE 2
		4. REMOVED NOTE 3 FROM PAGE 1 AND RENUMBERED REMAINING NOTES
2010/03/01	C	1. ADDED NOTE - THIS AREA DENOTES COMPONENT KEEP-OUT (TRACES ALLOWED) PAGE 2.

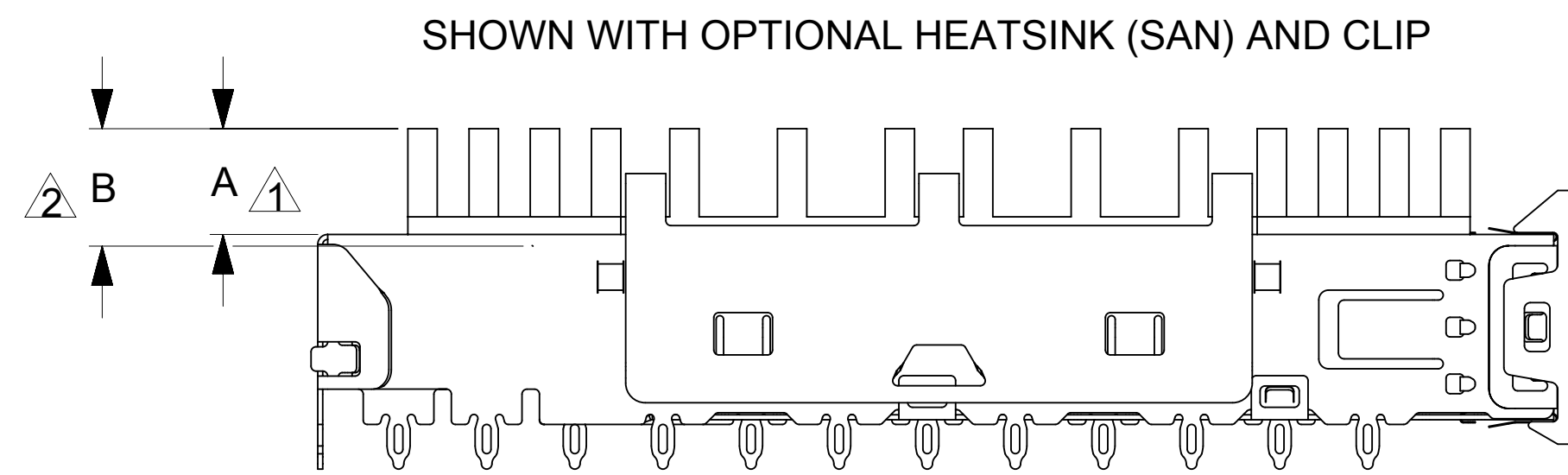
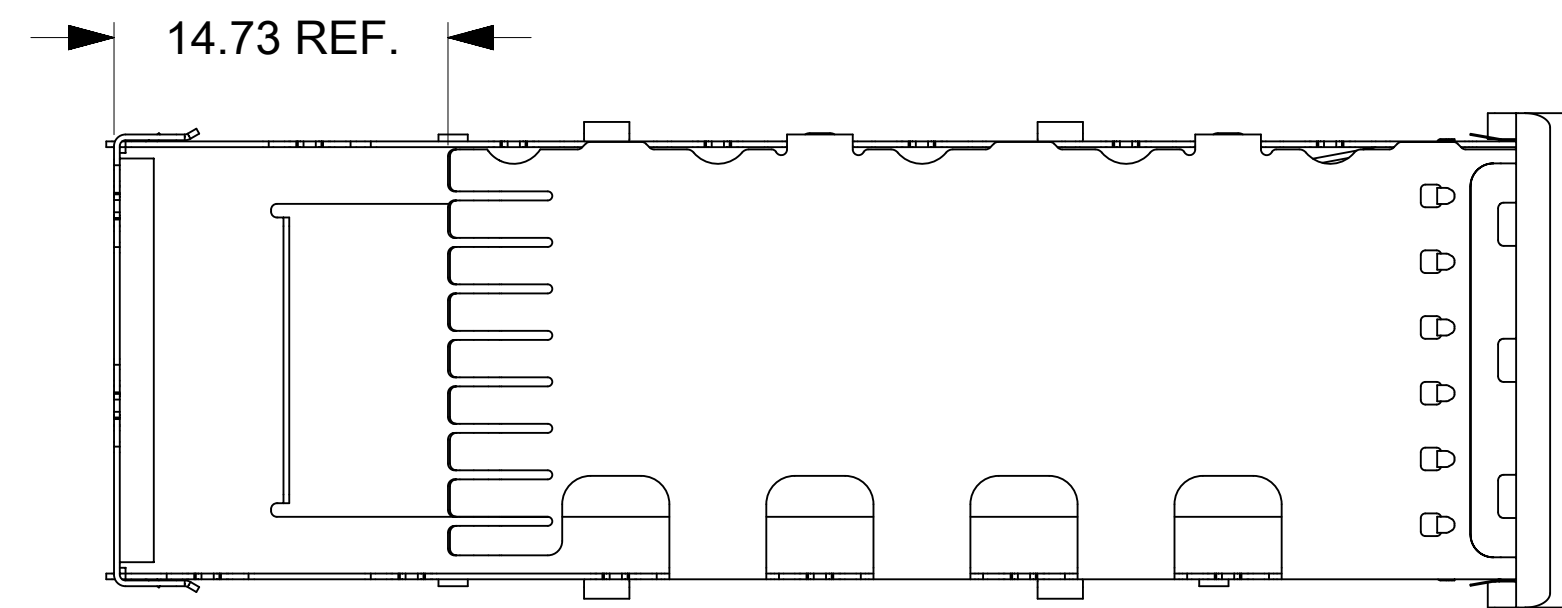
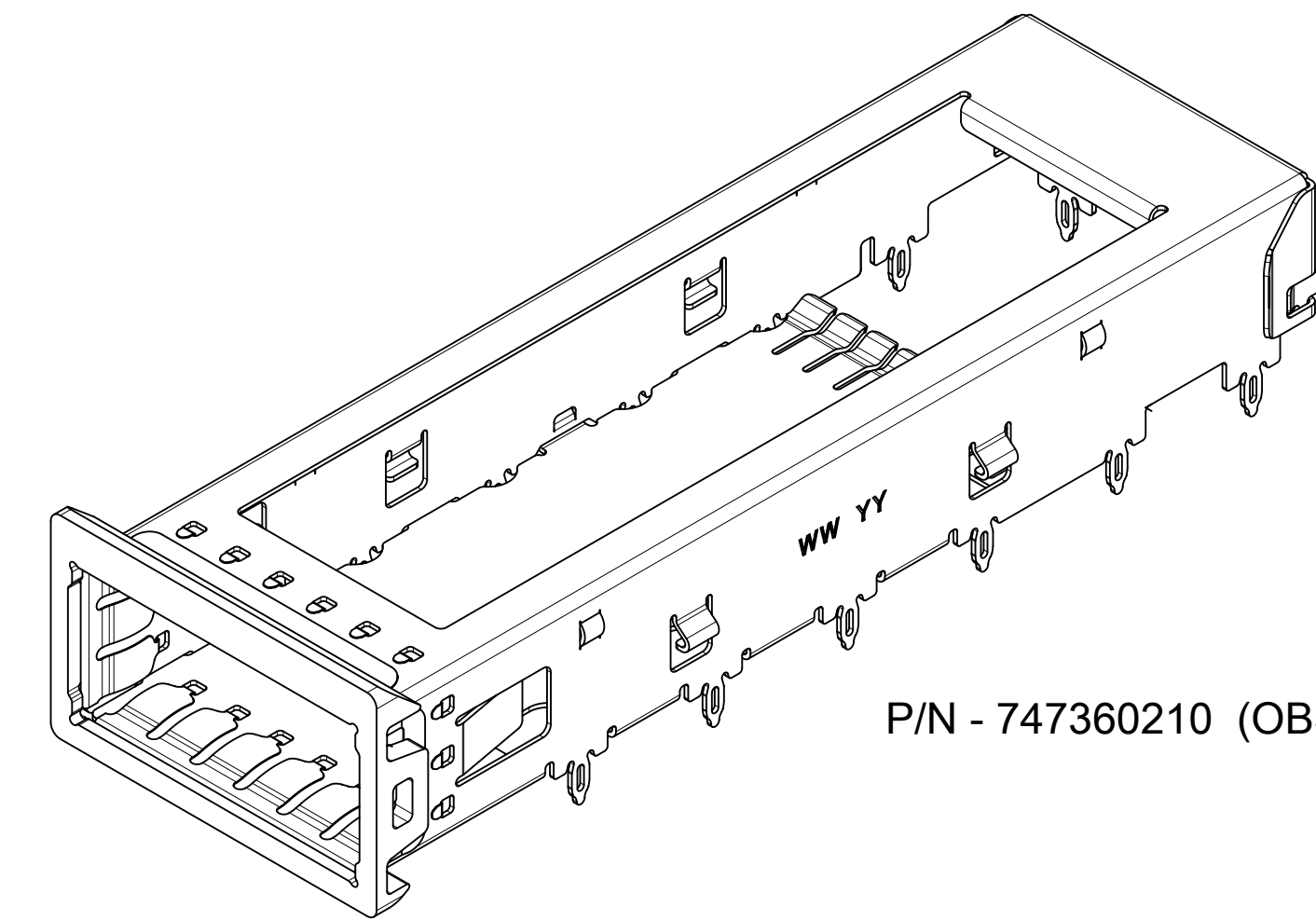
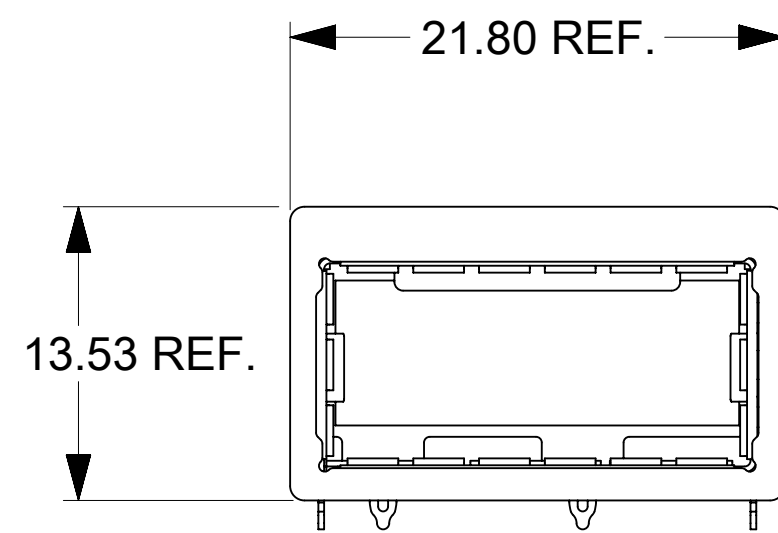
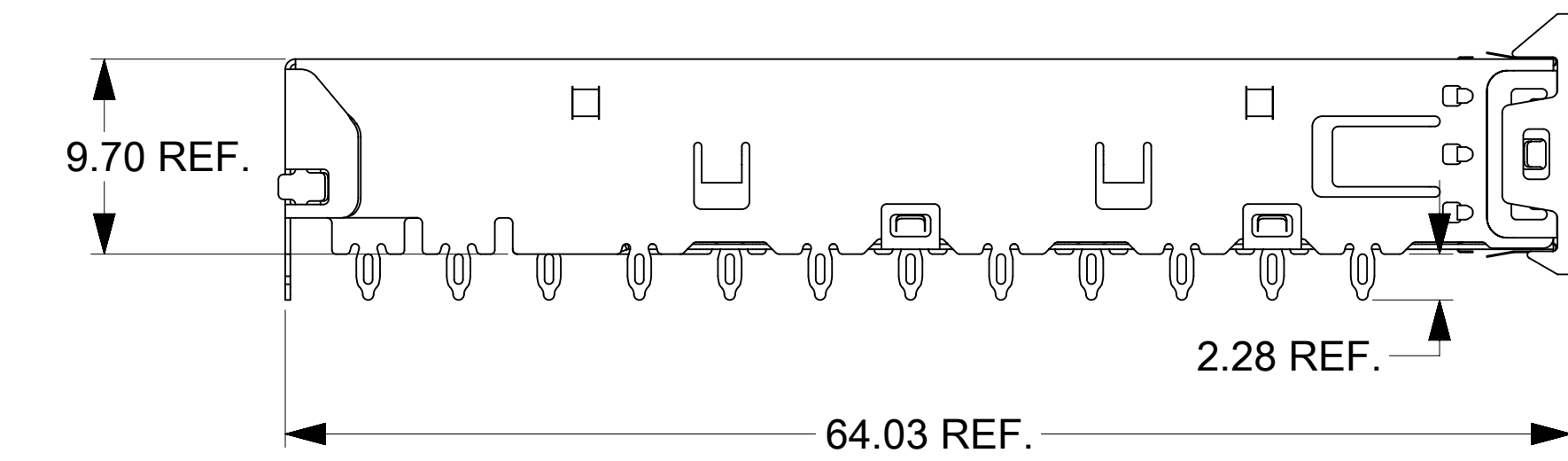
<b>REMOVED ISO VIEW</b> IEC NO. USY2011-0301 DRAWN: JERWIN 2010/03/01 CHECKED: CHYK & CHRSCHY APPROVED: RMAHMOOD 2010/11/23	QUALITY SYMBOLS	GENERAL TOLERANCES (UNLESS SPECIFIED)	DIMENSION STYLE	SCALE	DESIGN UNITS	THIRD ANGLE PROJECTION
	=0 =0	mm INCH 4 PLACES ± --- ± --- 3 PLACES ± --- ± --- 2 PLACES ± 0.10 ± --- 1 PLACE ± 0.25 ± --- ANGULAR ± 1°	MM ONLY	1:1	METRIC	
		DRAFT WHERE APPLICABLE MUST REMAIN WITHIN DIMENSIONS	DRAWN BY DATE JERWIN 2008/09/10 CHECKED BY DATE CHRSCHY 2008/08/10 APPROVED BY DATE RMAHMOOD 2010/11/23	TITLE XFP CAGE ASSEMBLY W/ INSULATING TAPE		
			MATERIAL NO. 747360451	DOCUMENT NO. SD-74736-0451		SHEET NO. 3 OF 3



PARTIAL A  
SCALE 3:1



HEATSINK SINK AND CLIP ARE OPTIONAL  
SEE CHART FOR HEATSINK OPTIONS  
CUSTOM HEATSINKS ARE AVAILABLE

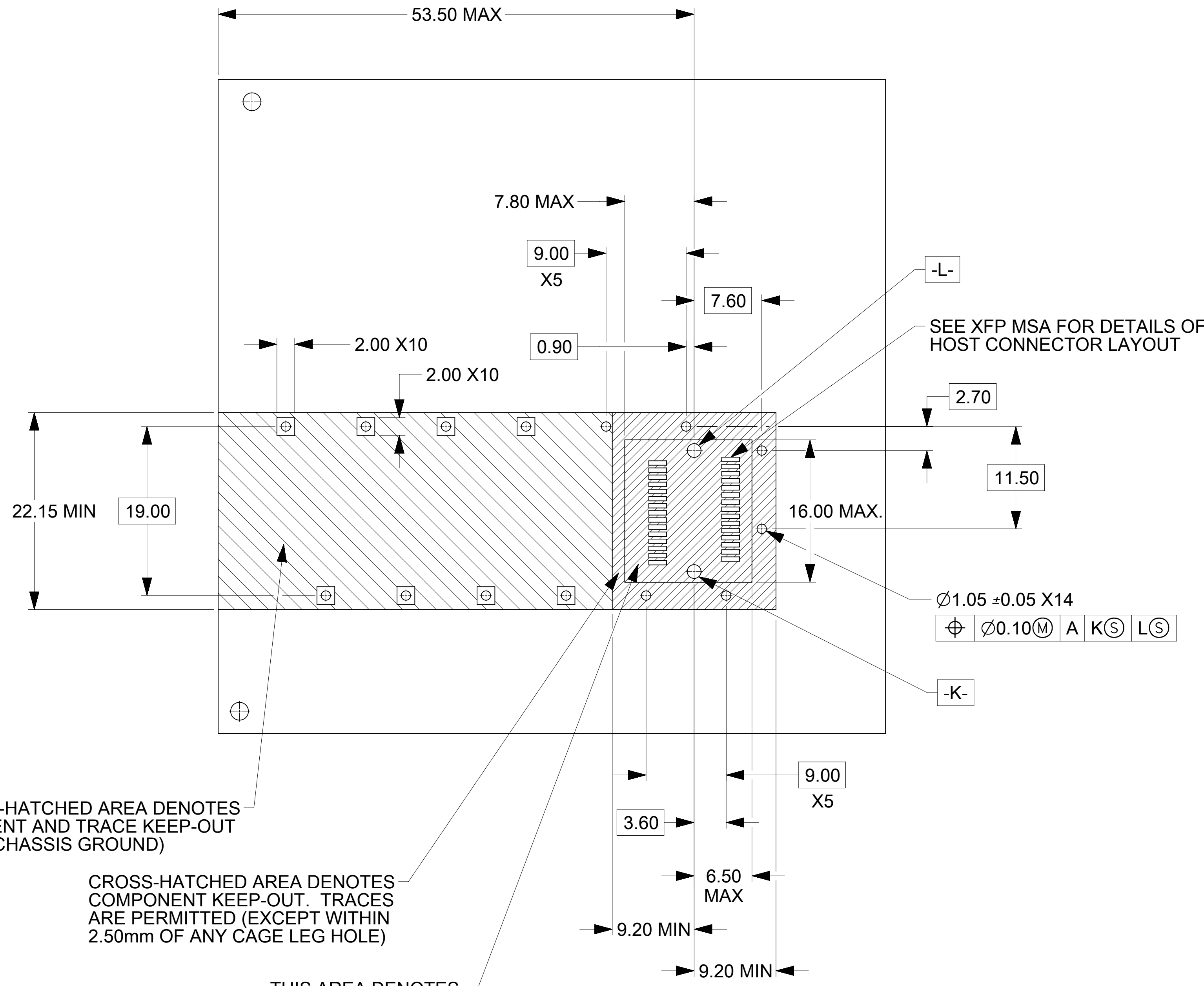


SHOWN WITH OPTIONAL HEATSINK (SAN) AND CLIP

- 1 MAXIMUM HEIGHT OF HEATSINK WITH MODULE INSERTED
- 2 OVERALL HEIGHT OF HEATSINK
- 3. OTHER HEATSINK DESIGNS ARE AVAILABLE INCLUDING CUSTOM DESIGNS

PART NUMBER FOR XFP CAGE ASSEMBLY & PARTS (W/OUT ELASTOMER EMI GASKET)					
P/N	DIM A	DIM B	DESCRIPTION	POWER LEVEL	THERMAL RESISTANCE @200 LFM
747360211	4.0	4.2	XFP CAGE WITH PCI HEATSINK	UP TO 1.5W	<18.0 C/W
747360212	6.3	6.5	XFP CAGE WITH SAN HEATSINK (SHOWN)	UP TO 2.5W	<11.5 C/W
747360213	13.3	13.5	XFP CAGE WITH TALL HEATSINK	UP TO 3.5W	<8.0 C/W
747360230	N/A	N/A	HEATSINK CLIP ONLY	N/A	N/A
747360240	N/A	N/A	PCI HEATSINK ONLY	UP TO 1.5W	<18.0 C/W
747360241	N/A	N/A	SAN HEATSINK ONLY	UP TO 2.5W	<11.5 C/W
747360242	N/A	N/A	TALL HEATSINK ONLY	UP TO 3.5W	<8.0 C/W

THIS DRAWING CONTAINS INFORMATION THAT IS PROPRIETARY TO MOLEX ELECTRONIC TECHNOLOGIES, LLC AND SHOULD NOT BE USED WITHOUT WRITTEN PERMISSION					
DIMENSION UNITS <b>mm</b>	SCALE <b>3:1</b>	CURRENT REV DESC:			
GENERAL TOLERANCES (UNLESS SPECIFIED)		EC NO: 624461		<b>molex</b>	
4 PLACES ±	±	DRWN: AKUMAR19 2019/02/04			
3 PLACES ±	±	CHK'D: GGA 2019/10/17		XFP CAGE ASSEMBLY WITHOUT ELASTOMER EMI GASKET	
2 PLACES ±	0.1 ±	APPR: GGA 2019/10/17		PRODUCT CUSTOMER DRAWING	
1 PLACE ±	0.25 ±	INITIAL REVISION:		DOCUMENT NUMBER	
0 PLACES ±	±	DRWN: KLLOYD 2004/12/02		SD-74736-210	
ANGULAR TOL ±	1.0 °	APPR: RMAHMOOD 2010/11/09		DOC TYPE	DOC PART
DRAFT WHERE APPLICABLE MUST REMAIN WITHIN DIMENSIONS		THIRD ANGLE PROJECTION	DRAWING	SERIES	REVISION
			<b>D-SIZE</b>	<b>74736</b>	<b>C</b>
			SEE TABLE	GENERAL MARKET	SHEET NUMBER
					<b>1 OF 2</b>

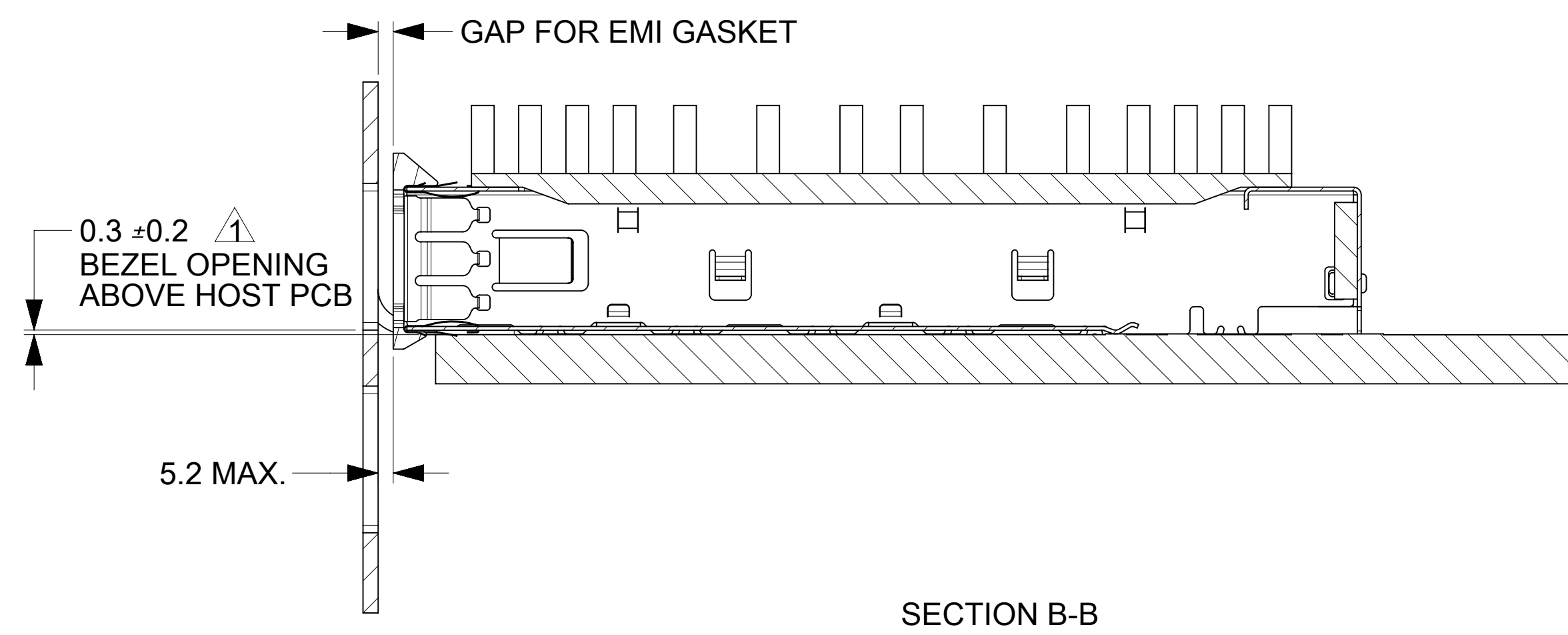
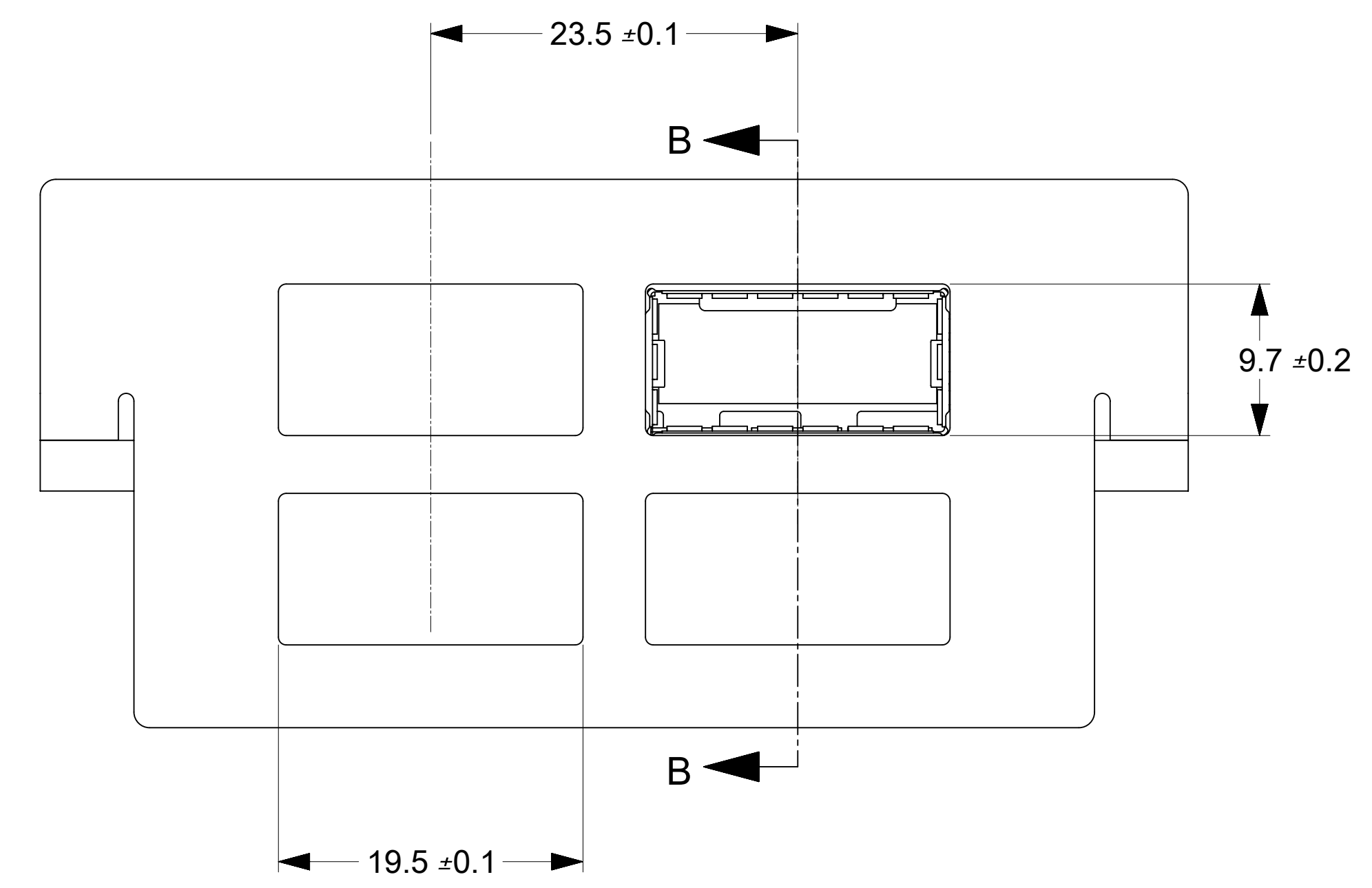


CROSSED-HATCHED AREA DENOTES COMPONENT AND TRACE KEEP-OUT (EXCEPT CHASSIS GROUND)

CROSS-HATCHED AREA DENOTES COMPONENT KEEP-OUT. TRACES ARE PERMITTED (EXCEPT WITHIN 2.50mm OF ANY CAGE LEG HOLE)

THIS AREA DENOTES COMPONENT KEEP-OUT (TRACES ALLOWED)

⚠ FOR PCI APPLICATIONS RECOMMENDED DIMENSION IS 0.4 ±0.1



THIS DRAWING CONTAINS INFORMATION THAT IS PROPRIETARY TO MOLEX ELECTRONIC TECHNOLOGIES, LLC AND SHOULD NOT BE USED WITHOUT WRITTEN PERMISSION

DIMENSION UNITS	SCALE	CURRENT REV DESC:	
mm	3:1		
GENERAL TOLERANCES (UNLESS SPECIFIED)		EC NO: 624461	
	MM	INCH	
4 PLACES	±	±	DRWN: AKUMAR19 2019/02/04
3 PLACES	±	±	CHK'D: GGA 2019/10/17
2 PLACES	±	0.1	APPR: GGA 2019/10/17
1 PLACE	±	0.25	INITIAL REVISION:
0 PLACES	±	±	DRWN: KLLOYD 2004/12/02
ANGULAR TOL ± 1.0°		APPR: RMAHMOOD 2010/11/09	
DRAFT WHERE APPLICABLE MUST REMAIN WITHIN DIMENSIONS		THIRD ANGLE PROJECTION	DRAWING SERIES
			D-SIZE 74736

<b>molex</b>			
XFP CAGE ASSEMBLY WITHOUT ELASTOMER EMI GASKET			
PRODUCT CUSTOMER DRAWING			
DOCUMENT NUMBER	DOC TYPE	DOC PART	REVISION
SD-74736-210	PSD	001	C
MATERIAL NUMBER	CUSTOMER	SHEET NUMBER	
SEE TABLE	GENERAL MARKET	2 OF 2	