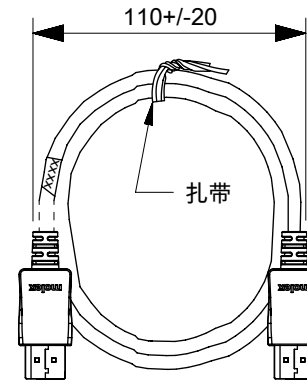


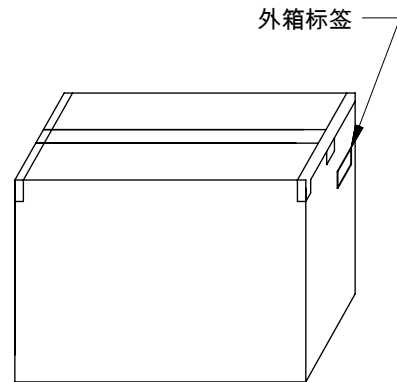
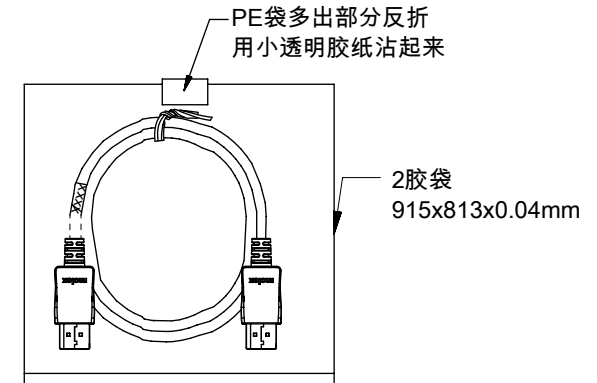
REVISIONS				
EC NO	DATE	REV	DESCRIPTION	CHANGER
	2018/12/20	A	INITIAL RELEASE	DLI50
NA	2019/01/18	A2	ADD PACKING METHOD 6	DLI50
	2019/03/28	B	SPQ FROM 80 TO 60	DLI50

装箱方式：

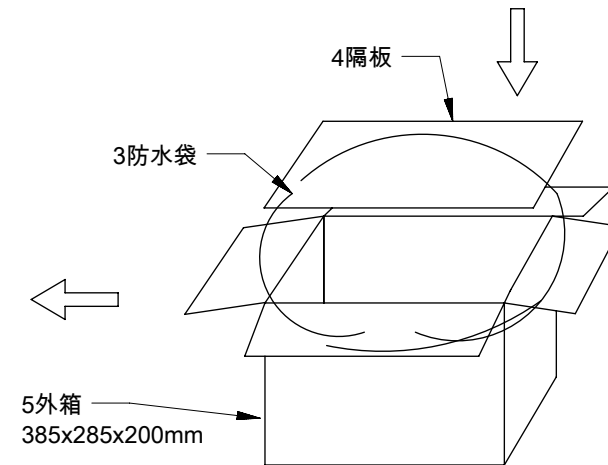
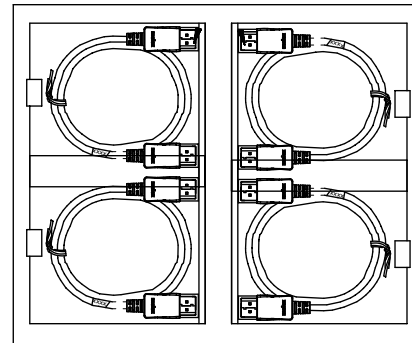
1. 如上图扎线
2. 将检验好的产品单条装入PE袋内,PE袋多出部分反折用小透明胶纸沾起来;
3. 先在箱内放一个防水袋和一块隔板,将产品整齐摆放于箱内,30PCS一层,层与层之间用隔板隔开,一箱装60PCS,放一包干燥剂,最上面一层再放一块隔板;
4. 将防水袋折叠好,用透明胶纸封口
5. 用封箱胶纸以工字型封箱;
6. 在外箱其中一侧唛右上角贴一出货标签
7. 外箱贴UL标签



绕线圈数:上3圈,下2圈



摆放时, PE袋折叠面朝下, 插头对插头摆放



THIS DRAWING CONTAINS INFORMATION THAT IS PROPRIETARY TO MOLEX ELECTRONIC TECHNOLOGIES, LLC AND SHOULD NOT BE USED WITHOUT WRITTEN PERMISSION										
SYMBOLS		DIMENSION UNITS		SCALE		CURRENT REV DESC:				
∇	= 0	mm		1:1		<p>molex</p> <p>DISPLAYPORT TO DISPLAYPORT 1.3 1M W LATC</p> <p>PACKAGING DESIGN DRAWING</p> <p>DOCUMENT NUMBER: 687830078</p> <p>DOC TYPE: PDD DOC PART: PK REVISION: B</p>				
∇	= 0	GENERAL TOLERANCES (UNLESS SPECIFIED)								
∇	= 0	ANGULAR TOL ± °								
∇	= 0	4 PLACES ±								
∇	= 0	3 PLACES ±								
∇	= 0	2 PLACES ±				<p>EC NO: 614529</p> <p>DRWN: DLI50 2019/03/27</p> <p>CHK'D: DLI50 2019/03/28</p> <p>APPR: CLAN01 2019/04/10</p>				
∇	= 0	1 PLACE ±				<p>INITIAL REVISION:</p> <p>DRWN: DLI50 2018/12/21</p> <p>APPR: CLAN01 2018/12/21</p>				
∇	= 0	0 PLACES ±				<p>DRWN: DLI50 2018/12/21</p> <p>APPR: CLAN01 2018/12/21</p>				
∇	= 0	DRAFT WHERE APPLICABLE MUST REMAIN WITHIN DIMENSIONS		THIRD ANGLE PROJECTION		DRAWING		SERIES		
∇	= 0			A4-SIZE		68783		MATERIAL NUMBER: 687830078		
DOCUMENT STATUS		P1	RELEASE DATE	2019/04/10	07:52:34	CUSTOMER				SHEET NUMBER
										1 OF 1