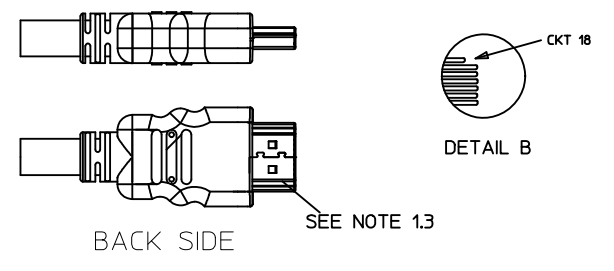
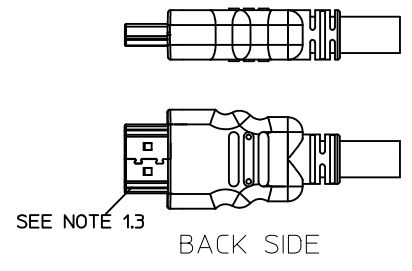
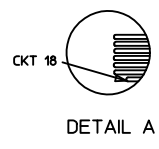
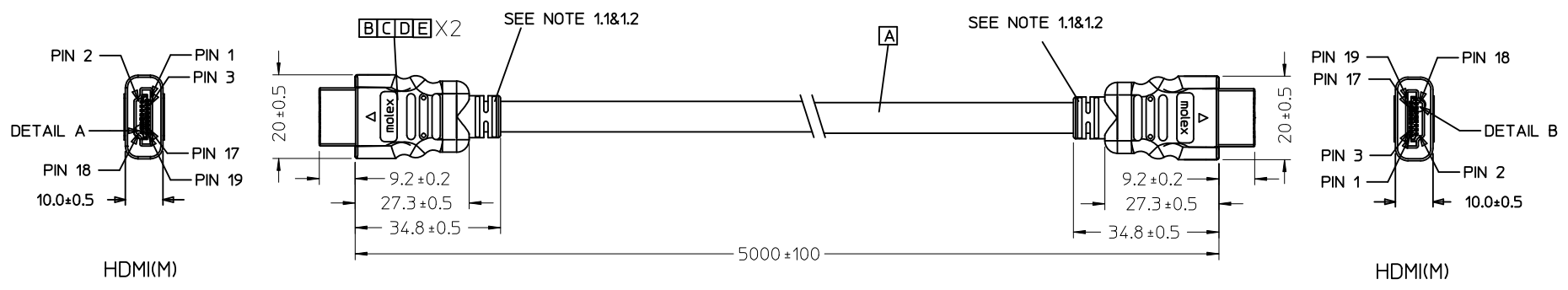


7 6 5 4 3 2 1



ENTER DESCRIPTION EC NO: DG2011-0440 DRWN:FZHANG01 CHKD:JLJU13 APPR:ZXDENG	2011/05/04 2011/05/04 2011/05/11	DESCRIPTION REV A	QUALITY SYMBOLS ▽=0 ◻=0	GENERAL TOLERANCES (UNLESS SPECIFIED)		DIMENSION STYLE MM ONLY		SCALE ---	DESIGN UNITS METRIC	THIRD ANGLE PROJECTION
				mm	INCH	DRAWN BY	DATE	TITLE HDMI(M) TO HDMI(M) CABLE ASS'Y		
			4 PLACES	± ---	± ---	FZHANG01	2011/05/03			
			3 PLACES	± ---	± ---	CHECKED BY	DATE			
			2 PLACES	± 0.25	± ---	JFZHENG	2011/05/03			
1 PLACE	± 0.5	± ---	APPROVED BY	DATE	MOLEX INCORPORATED					
ANGULAR ± ---°			ZXDENG	2011/05/11						
DRAFT WHERE APPLICABLE MUST REMAIN WITHIN DIMENSIONS			MATERIAL NO. 687670022		DOCUMENT NO. SD-68767-0022		SHEET NO. 1 OF 2			
			SIZE A 4		THIS DRAWING CONTAINS INFORMATION THAT IS PROPRIETARY TO MOLEX INCORPORATED AND SHOULD NOT BE USED WITHOUT WRITTEN PERMISSION					

6 5 4 3 2 1

7

6

5

4

3

2

1

WIRE DIAGRAM:

SHIELD	SHIELD	OVERALL SHIELD	GROUND
PIN 19	PIN 19	PINK	HOT PLUG DETECT
PIN 18	PIN 18	ORANGE	+5V POWER
PIN 17	PIN 17	YELLOW	DDC/CEC GROUND
PIN 16	PIN 16	WHITE	SDA
PIN 15	PIN 15	RED	SCL
PIN 14	PIN 14	VIOLET	RESERVED
PIN 13	PIN 13	GRAY	CEC
PIN 12	PIN 12	WHITE	TMDS CLOCK-
PIN 11	PIN 11	BRAID	TMDS CLOCK SHIELD
PIN 10	PIN 10	BLACK	TMDS CLOCK+
PIN 9	PIN 9	WHITE	TMDS DATA 0-
PIN 8	PIN 8	BRAID	TMDS DATA 0 SHIELD
PIN 7	PIN 7	BLUE	TMDS DATA 0+
PIN 6	PIN 6	WHITE	TMDS DATA 1-
PIN 5	PIN 5	BRAID	TMDS DATA 1 SHIELD
PIN 4	PIN 4	GREEN	TMDS DATA 1+
PIN 3	PIN 3	WHITE	TMDS DATA 2-
PIN 2	PIN 2	BRAID	TMDS DATA 2 SHIELD
PIN 1	PIN 1	RED	TMDS DATA 2+
HDMI	HDMI	COLOR	CABLE FUNCTION

NOTE:

- OVEMROLD SPECIFICATION:
 - HDMI INNERMOLD WITH BK PVC
 - HDMI OVERMOLD WITH PVC
 - HDMI DUST COVER WITH PE
- PRODUCT ELECTRICAL SPECIFICATION:
REFER TO HDMI SPECIFICATION FOR DETAILS.
- THIS PRODUCT MUST MEET ROHS COMPLIANCE.

E	PRE-CUT C.Foil 47X23mm T=25U		2																																										
D	COPPER FOIL		2																																										
C	HDMI 19P MALE,30U" Au Solder Type		2																																										
B	Metal Shell For HDMI 19P Male,Gold flash		2																																										
A	(4P+1P)X28+5CX28,ALSH,PVC,BK,7.3,UL20276	5000 ref.	1																																										
ITEM	DESCRIPTION	LENGTH	QTY.																																										
<table border="1"> <thead> <tr> <th colspan="2">GENERAL TOLERANCES (UNLESS SPECIFIED)</th> <th>DIMENSION STYLE</th> <th>SCALE</th> <th>DESIGN UNITS</th> <th>THIRD ANGLE PROJECTION</th> </tr> <tr> <th></th> <th>mm</th> <th>INCH</th> <th>---</th> <th>METRIC</th> <th></th> </tr> </thead> <tbody> <tr> <td>4 PLACES</td> <td>± ---</td> <td>± ---</td> <td></td> <td></td> <td></td> </tr> <tr> <td>3 PLACES</td> <td>± ---</td> <td>± ---</td> <td></td> <td></td> <td></td> </tr> <tr> <td>2 PLACES</td> <td>± 0.25</td> <td>± ---</td> <td></td> <td></td> <td></td> </tr> <tr> <td>1 PLACE</td> <td>± 0.5</td> <td>± ---</td> <td></td> <td></td> <td></td> </tr> <tr> <td colspan="2">ANGULAR ± ---°</td> <td></td> <td></td> <td></td> <td></td> </tr> </tbody> </table>				GENERAL TOLERANCES (UNLESS SPECIFIED)		DIMENSION STYLE	SCALE	DESIGN UNITS	THIRD ANGLE PROJECTION		mm	INCH	---	METRIC		4 PLACES	± ---	± ---				3 PLACES	± ---	± ---				2 PLACES	± 0.25	± ---				1 PLACE	± 0.5	± ---				ANGULAR ± ---°					
GENERAL TOLERANCES (UNLESS SPECIFIED)		DIMENSION STYLE	SCALE	DESIGN UNITS	THIRD ANGLE PROJECTION																																								
	mm	INCH	---	METRIC																																									
4 PLACES	± ---	± ---																																											
3 PLACES	± ---	± ---																																											
2 PLACES	± 0.25	± ---																																											
1 PLACE	± 0.5	± ---																																											
ANGULAR ± ---°																																													
ENTER DESCRIPTION EC NO: DG2011-0440 DRWN:FZHANG01 2011/05/04 CHKD:JL1U13 2011/05/04 APPR:ZXDENG 2011/05/11 REV A		QUALITY SYMBOLS = 0 = 0		DRAFT WHERE APPLICABLE MUST REMAIN WITHIN DIMENSIONS																																									
DRAWN BY FZHANG01 DATE 2011/05/03 CHECKED BY JFZHENG DATE 2011/05/03 APPROVED BY ZXDENG DATE 2011/05/11		DIMENSION STYLE MM ONLY		TITLE HDMI(M) TO HDMI(M) CABLE ASS'Y																																									
MATERIAL NO. 687670022		DOCUMENT NO. SD-68767-0022		SHEET NO. 2 OF 2																																									
THIS DRAWING CONTAINS INFORMATION THAT IS PROPRIETARY TO MOLEX INCORPORATED AND SHOULD NOT BE USED WITHOUT WRITTEN PERMISSION																																													

6

5

4

3

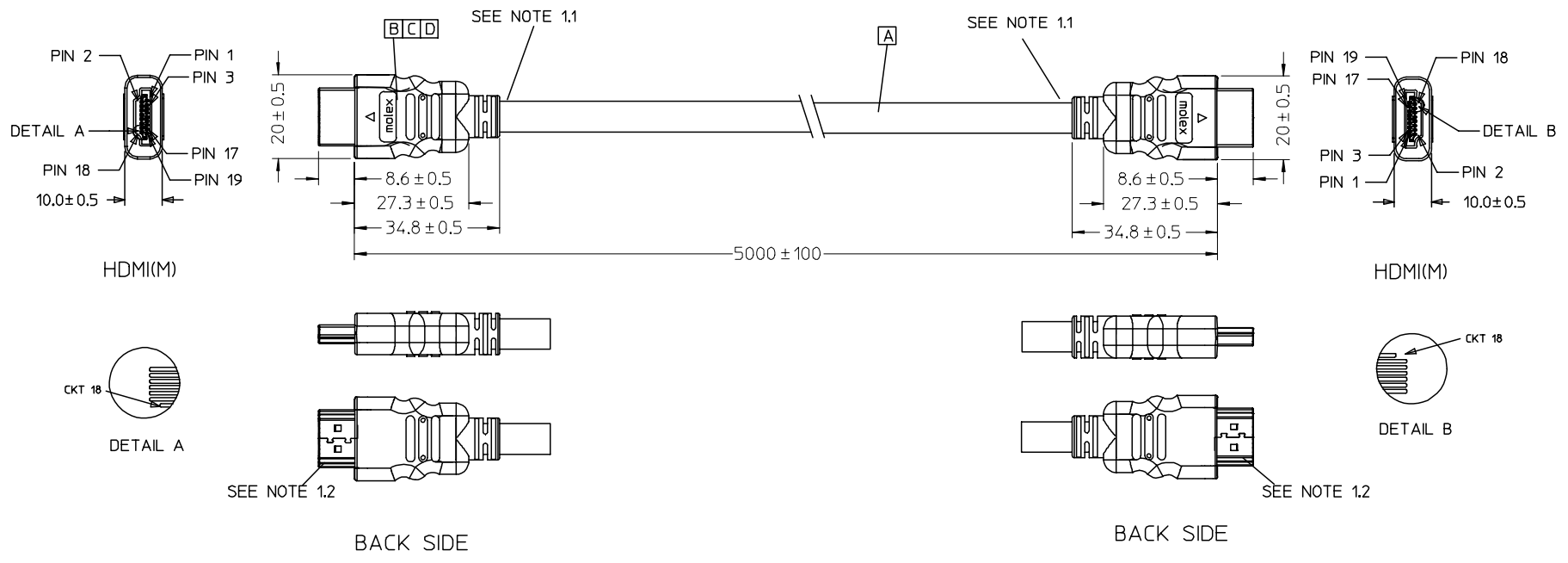
2

1

7 6 5 4 3 2 1

E
D
C
B
A

E
D
C
B
A



Released EC NO: DG2007-0027 DRWN: JF ZHENG 2006/09/02 CHKD: JF ZHENG 2006/09/04 APPR: DQ LUO 2006/09/04	QUALITY SYMBOLS	GENERAL TOLERANCES (UNLESS SPECIFIED)		DIMENSION STYLE	SCALE	DESIGN UNITS	THIRD ANGLE PROJECTION	
	▼ = 0 ◻ = 0	mm	INCH	MM ONLY	---	METRIC		
		4 PLACES	± ---	± ---	DRAWN BY	DATE	TITLE	
		3 PLACES	± ---	± ---	JF ZHENG	2006/08/26	HDMI(M) TO HDMI(M) GOLD 5M CABLE, 28#AWG	
		2 PLACES	± ---	± ---	CHECKED BY	DATE	MOLEX INCORPORATED	
	1 PLACE	± ---	± ---	JF ZHNENG	2006/08/26	MATERIAL NO. 687670022		
	ANGULAR	± --- °		APPROVED BY	DATE	DOCUMENT NO. SD-68767-022	SHEET NO. 1 OF 2	
		DRAFT WHERE APPLICABLE MUST REMAIN WITHIN DIMENSIONS		DQ LUO	2006/08/26	THIS DRAWING CONTAINS INFORMATION THAT IS PROPRIETARY TO MOLEX INCORPORATED AND SHOULD NOT BE USED WITHOUT WRITTEN PERMISSION		

6 5 4 3 2 1

7 6 5 4 3 2 1

WIRE DIAGRAM:

SHIELD	SHIELD	OVERALL SHIELD	GROUND
PIN 19	PIN 19	PINK	HOT PLUG DETECT
PIN 18	PIN 18	ORANGE	+5V POWER
PIN 17	PIN 17	YELLOW	DDC/CEC GROUND
PIN 16	PIN 16	WHITE	SDA
PIN 15	PIN 15	RED	SCL
PIN 14	PIN 14	VIOLET	RESERVED
PIN 13	PIN 13	GRAY	CEC
PIN 12	PIN 12	WHITE	TMDS CLOCK-
PIN 11	PIN 11	BRAID	TMDS CLOCK SHIELD
PIN 10	PIN 10	WHITE/BLACK	TMDS CLOCK+
PIN 9	PIN 9	WHITE	TMDS DATA 0-
PIN 8	PIN 8	BRAID	TMDS DATA 0 SHIELD
PIN 7	PIN 7	WHITE/BLUE	TMDS DATA 0+
PIN 6	PIN 6	WHITE	TMDS DATA 1-
PIN 5	PIN 5	BRAID	TMDS DATA 1 SHIELD
PIN 4	PIN 4	WHITE/GREEN	TMDS DATA 1+
PIN 3	PIN 3	WHITE	TMDS DATA 2-
PIN 2	PIN 2	BRAID	TMDS DATA 2 SHIELD
PIN 1	PIN 1	WHITE/RED	TMDS DATA 2+
HDMI	HDMI	COLOR	CABLE FUNCTION

NOTE:

- OVEMROLD SPECIFICATION:
 - HDMI INNERMOLD WITH BK PVC 887800019.
 - HDMI OVERMOLD WITH PVC 887800150.
 - HDMI DUST COVER WITH PE 887800008.
- MECHANICAL SPECIFICATION:

CABLE SHOULD STAND THE PULL FORCE 89-111N FOR 30 SECONDS WITH NO VISIBLE TERMINATION DAMAGE.
- PRODUCT ELECTRICAL SPECIFICATION:
 - DIELECTRIC STRENGTH.
 - INSULATION RESISTANCE.
 - CONDUCTIVE RESISTANCE.
 - TMDS Signals Time Domain Impedence
 - TMDS Signals Time Domain Crosstalk:FEXT
 - TMDS Signals Skew
 - Attenuation

REFER TO ES-002 ELECTRICAL SPECIFICATION FOR DETAILS.
- CABLE CONSTRUCTION:

(4P+1P+5)*28AWG;SHLD;PVC;BK;7.30MM;HDMI
- THIS PRODUCT MUST MEET ROHS COMPLIANCE.

D	HDMI METAL PLATE 47152-6009		2
C	HDMI METAL CAN GOLD FLASH 47152-4002		2
B	HDMI HOUSING ASSY BLACK 47152-1000		2
A	HDMI SINGLE LINK CABLE 172000455	5000 ref.	1
ITEM	DESCRIPTION	LENGTH	QTY.

Released EC NO: DG2007-0027 DRWN: JF ZHENG 2006/09/02 CHKD: JF ZHENG 2006/09/04 APPR: DQ LUO 2006/09/04	DESCRIPTION 1	QUALITY SYMBOLS	GENERAL TOLERANCES (UNLESS SPECIFIED)	DIMENSION STYLE	SCALE	DESIGN UNITS	THIRD ANGLE PROJECTION
		▼=0 ▽=0	mm INCH 4 PLACES ± --- ± --- 3 PLACES ± --- ± --- 2 PLACES ± --- ± --- 1 PLACE ± --- ± --- ANGULAR ± ---°	MM ONLY	---	METRIC	☉ ☐ THIRD ANGLE PROJECTION
			DRAFT WHERE APPLICABLE MUST REMAIN WITHIN DIMENSIONS	DRAWN BY DATE JF ZHENG 2006/08/26 CHECKED BY DATE JF ZHNENG 2006/08/26 APPROVED BY DATE DQ LUO 2006/08/26	TITLE HDMI(M) TO HDMI(M) GOLD 5M CABLE,28#AWG		
				MATERIAL NO. 687670022	DOCUMENT NO. SD-68767-022	SHEET NO. 2 OF 2	

6 5 4 3 2 1