

NOTES :

1. MATERIAL :

HOUSING : HIGH TEMPERATURE NYLON ,GLASS FIBER, UL94-V0 , COLOR: BLACK  
 TERMINAL : PHOSPHOR BRONZE(PbBr), C5100 EH, PER ES-124-E108  
 METAL SHELL : COPPER ALLOY

2. PLATING :

TERMINAL :  
 CONTACT AREA : (a) GOLD FLASH.  
 (b) GL0D (Au), THICKNESS = 30 MICROINCH/0.76 MICROMETER  
 SOLDER TAIL : PURE TIN(Sn). THICKNESS= 75 MICROINCH /1.9 MICROMETER

UNDER PLATE : NICKEL (Ni), THICKNESS= 50 MICROINCH/1.27 MICROMETER  
 METAL SHELL :

PURE TIN(Sn) , THICKNESS=50-100MICROINCH /1.27-2.54MICROMETER.

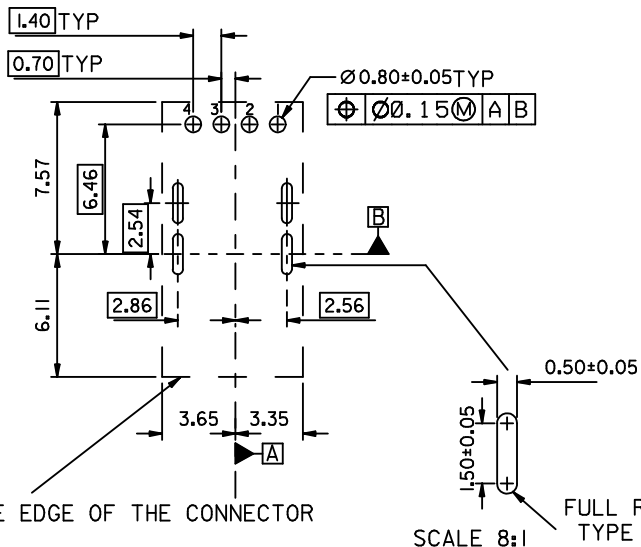
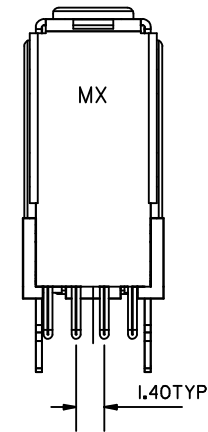
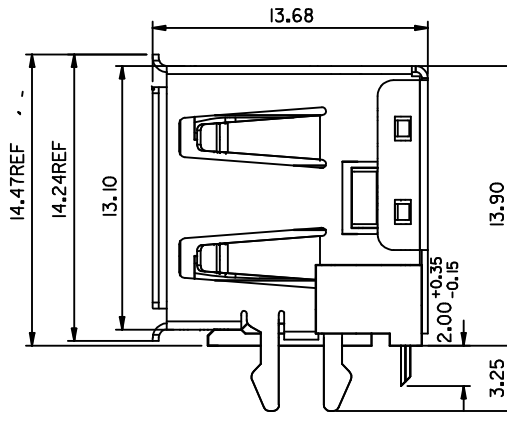
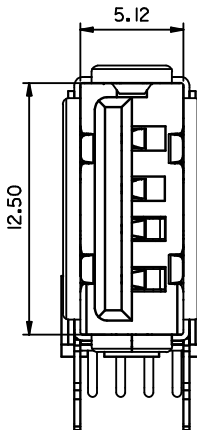
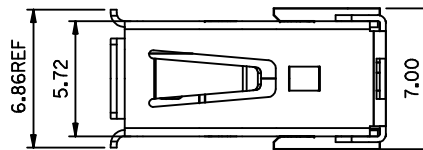
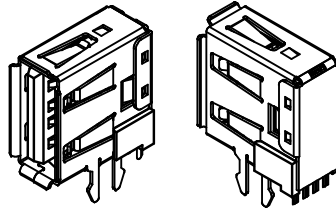
UNDER PLATE : NICKEL (Ni), THICKNESS= 50 MICROINCH/1.27 MICROMETER

SURFACE APPERANCE :BRIGHT

3 RECOMMENDED PCB THICKNESS : 1.20±0.05 mm.

4 PRODUCT SPECIFICATION : REFER TO PS-89485

5 PACKAGING SPECIFICATION : REFER TO PS-67329-001



SCALE 8:1

PART NUMBER LEGEND:

P/N	CONTACT PLATING
67329-8030	GOLD FLASH
67329-8031	0.76 MICROMETER/30 MICROINCH GOLD

NEW RELEASE	EC NO:	2005/12/09	QUALITY SYMBOLS ▽=0 ▽=0	GENERAL TOLERANCES (UNLESS SPECIFIED)		DIMENSION STYLE MM ONLY		SCALE 4:1	DESIGN UNITS METRIC	THIRD ANGLE PROJECTION		
	DRW:HPOLIAN	2006/01/10		mm	INCH	DRAWN BY	DATE	TITLE				
	CHKD:HARVEY	2006/01/10		4 PLACES ± --- ± ---	3 PLACES ± --- ± ---	2 PLACES ± 0.15 ± ---	1 PLACE ± 0.15 ± ---	QIANHUIPING	2005/12/09	USB "A" UPRIGHT CONN. FLANGE OUT TYPE WITH FORK LOCK LEAD-FREE		
	APPR:HWANG	2006/01/10		ANGULAR ± 3 °		APPROVED BY	DATE	HARVEY	2005/12/09	MOLEX INCORPORATED		
REV	A	DESCRIPTION	DRAFT WHERE APPLICABLE MUST REMAIN WITHIN DIMENSIONS		MATERIAL NO.	67329-803*	DOCUMENT NO.	SD-67329-808	SHEET NO.	1 OF 1		