

注記 NOTES

1. 使用材料 : MATERIAL
 ハウジング : 46ナイロン UL94V-0
 HOUSING 46NYLON
 アクチュエータ : PPS UL94V-0
 ACTUATOR
 ターミナル : リン青銅 金メッキ(t=0.2)
 TERMINAL PHOS-BRONZE GOLD-PLATED
 金具 : リン青銅 錫メッキ(t=0.2)
 FITTING NAIL PHOS-BRONZE TIN-PLATED
2. エンボステープ梱包時は、アクチュエータがロックした状態とする。
 IN THE PACKAGE, ACTUATOR OF PART NO. 52435-**29 SHOULD BE LOCKED.
3. ソルダータール半田付け面のズレ量、および金具半田付け面のズレ量は、基準面 H に対し上方向 0.1MAXIMUM、下方向 0.15MAXIMUM とし、相互のばらつきは 0.1MAXIMUM とする。
 MISALIGNMENT OF SOLDER TAILS AND FITTING NAILS FROM DATUM-H UPPER DIRECTION : 0.1MAXIMUM, LOWER DIRECTION : 0.15MAXIMUM OFFSET BETWEEN UPPER AND LOWER : 0.1MAXIMUM.
4. 偶数極に適用。
 APPLY FOR EVEN CIRCUIT.
5. パターンはく離止め金具。
 FITTING NAIL FOR PREVENTION OF PEELING OF P.W.B PATTERN.
6. R0.3はFPCの導体部にかからないこと。
 R0.3 MUST NOT BE OVERLAPPED TO PATTERN OF FPC.
7. ELV および RoHS 適合品。
 ELV AND RoHS COMPLIANT.

21.6	19.6	15.65	14.5	52435-3071	30
21.1	19.1	15.15	14.0	52435-2971	29
20.6	18.6	14.65	13.5	52435-2871	28
20.1	18.1	14.15	13.0	52435-2771	27
19.6	17.6	13.65	12.5	52435-2671	26
19.1	17.1	13.15	12.0	52435-2571	25
18.6	16.6	12.65	11.5	52435-2471	24
18.1	16.1	12.15	11.0	52435-2371	23
17.6	15.6	11.65	10.5	52435-2271	22
17.1	15.1	11.15	10.0	52435-2171	21
14.6	12.6	8.65	7.5	52435-1671	16
D	C	B	(A)	EMBOSSED PACKAGE	極数
ORDER No. オーダー番号					CKT.

CONNECTOR SERIES NO. : 52435-**29

GENERAL TOLERANCES (UNLESS SPECIFIED)	
10 UNDER	± 0.2
10 OVER 30 UNDER	± 0.25
30 OVER	± 0.3
ANGULAR	± 3 °
DRAFT WHERE APPLICABLE MUST REMAIN WITHIN DIMENSIONS	

THIS DRAWING CONTAINS INFORMATION THAT IS PROPRIETARY TO MOLEX ELECTRONIC TECHNOLOGIES, LLC AND SHOULD NOT BE USED WITHOUT WRITTEN PERMISSION

DIMENSION UNITS: mm SCALE: 10:1

CURRENT REV DESC:

EC NO: 600082
 DRWN: YCHEN128 2018/02/27
 CHK'D: KTAKAHASHI 2018/03/14
 APPR: NUKITA 2018/03/14

INITIAL REVISION:
 DRWN: MUMEDA 2005/02/04
 APPR: NUKITA 2005/02/17

THIRD ANGLE PROJECTION

DRAWING: A3-SIZE SERIES: 52435

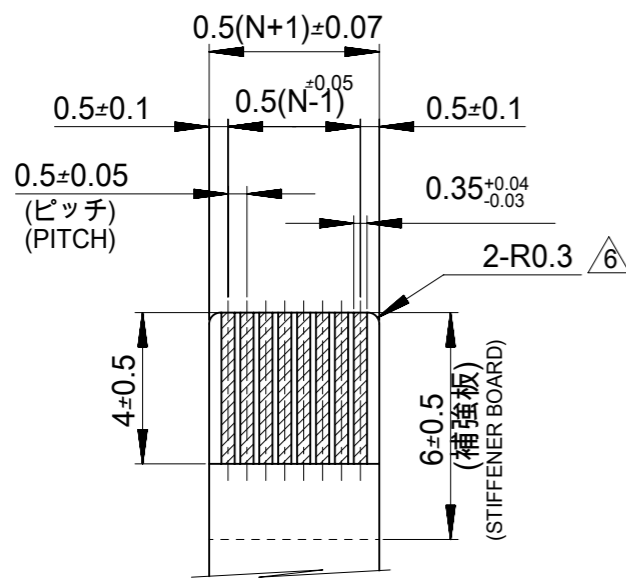
MATERIAL NUMBER: SEE TABLE CUSTOMER: GENERAL MARKET SHEET NUMBER: 1 OF 2

DOCUMENT NUMBER: SD-52435-016 DOC TYPE: PSD DOC PART: 001 REVISION: E

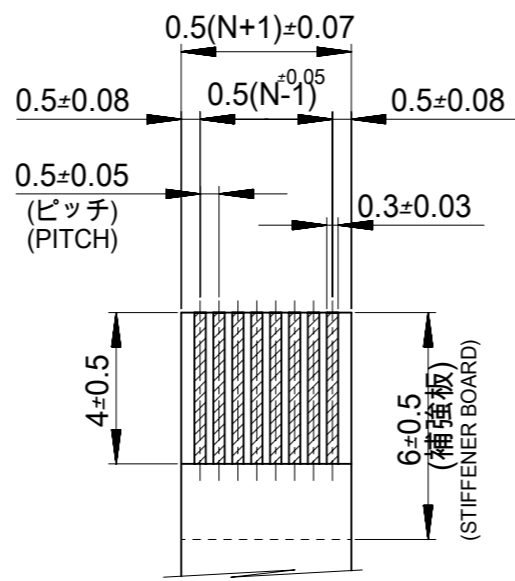
PRODUCT CUSTOMER DRAWING

molex

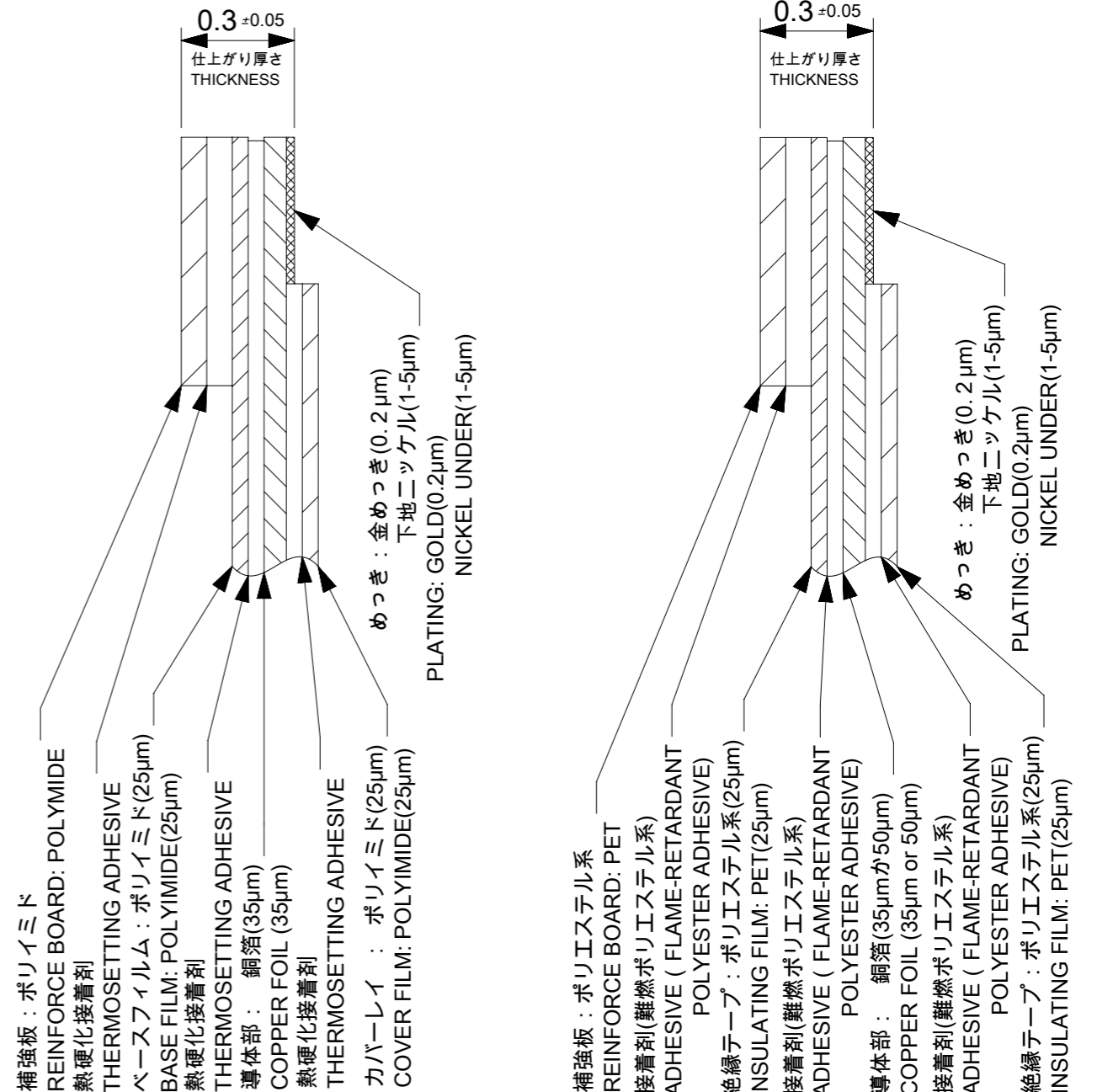
0.5 FPC CONN. ZIF FOR SMT R/A(TOP CONTACT)



適合FPC推奨寸法
APPLICABLE FPC
RECOMMENDED DIMENSION
(仕上がり厚さ : 0.3±0.05)
(THICKNESS : 0.3±0.05)



適合FFC推奨寸法
APPLICABLE FFC
RECOMMENDED DIMENSION
(仕上がり厚さ : 0.3±0.05)
(THICKNESS : 0.3±0.05)



FPC構成推奨仕様
STRUCTURE OF FPC

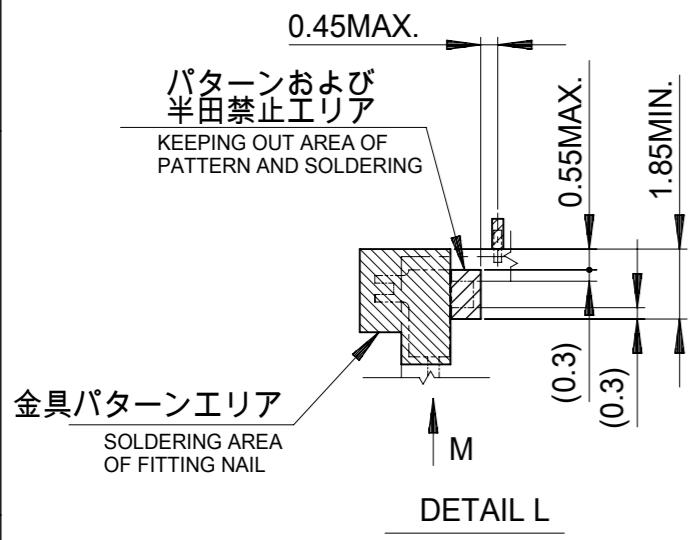
FFC構成推奨仕様
STRUCTURE OF FFC

FPCについて:

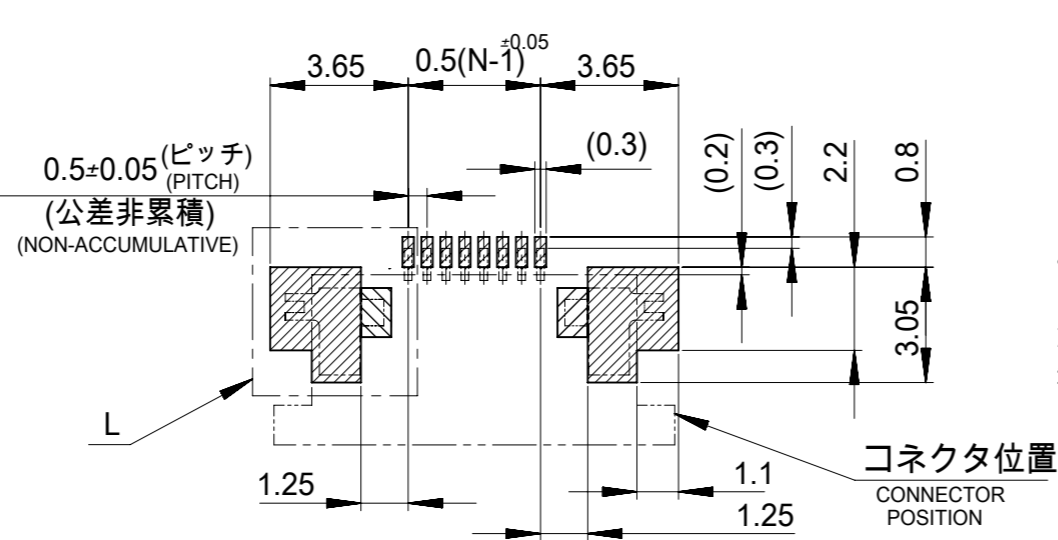
打抜き方向は導体側から補強板を推奨致します。
補強フィルム材質はポリイミドを推奨致します。
接着剤は熱硬化接着剤を推奨致します。

ABOUT FPC:

RECOMMENDED PUNCHER DIRECTION : FROM CONDUCTOR SIDE TO STIFFENER BOARD SIDE.
RECOMMENDED MATERIAL :
STIFFENER FILM : POLYIMIDE
BONDING AGENT : THERMOSETTING BONDING AGENT



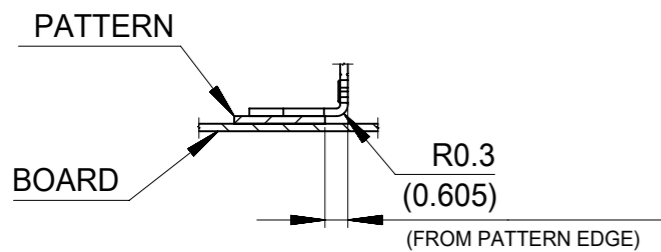
DETAIL L



コネクタ位置
CONNECTOR POSITION

参考基板レイアウト
(マウント面)

RECOMMENDED P.C. BOARD
PATTERN DIMENSION (REF.)
(MOUNTING SIDE)



VIEW M
(DETAIL OF FITTING NAIL
ON PATTERN)

THIS DRAWING CONTAINS INFORMATION THAT IS PROPRIETARY TO MOLEX ELECTRONIC TECHNOLOGIES, LLC AND SHOULD NOT BE USED WITHOUT WRITTEN PERMISSION

GENERAL TOLERANCES (UNLESS SPECIFIED)	
10 UNDER	± 0.2
10 OVER 30 UNDER	± 0.25
30 OVER	± 0.3
ANGULAR ± 3 °	
DRAFT WHERE APPLICABLE MUST REMAIN WITHIN DIMENSIONS	

DIMENSION UNITS	SCALE	CURRENT REV DESC:	
mm	10:1		
GENERAL TOLERANCES (UNLESS SPECIFIED)		EC NO: 600082	
ANGULAR TOL ± 30 °		DRWN: YCHEN128	2018/02/27
4 PLACES ± 0.2		CHK'D: KTAKAHASHI	2018/03/14
3 PLACES ± 0.25		APPR: NUKITA	2018/03/14
2 PLACES ± 0.3		INITIAL REVISION:	
1 PLACE ±		DRWN: NUMEDA	2005/02/04
0 PLACES ±		APPR: NUKITA	2005/02/17
DRAFT WHERE APPLICABLE MUST REMAIN WITHIN DIMENSIONS		THIRD ANGLE PROJECTION	DRAWING
		SERIES	MATERIAL NUMBER
		A3-SIZE	52435
		CUSTOMER	GENERAL MARKET
		SHEET NUMBER	2 OF 2

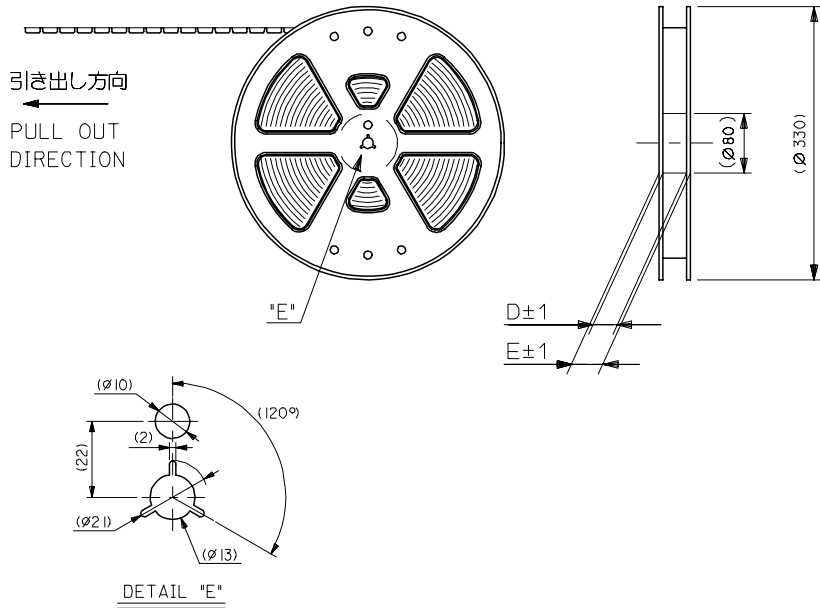
molex

0.5 FPC CONN. ZIF FOR
SMT R/A(TOP CONTACT)

PRODUCT CUSTOMER DRAWING

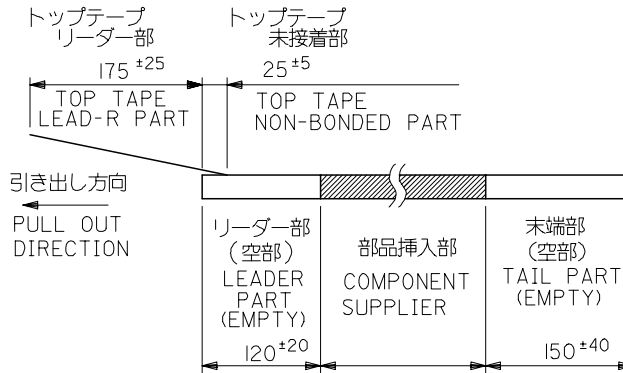
DOCUMENT NUMBER DOC TYPE DOC PART REVISION

SD-52435-016 PSD 001 E



注記 NOTES

- 製品番号 52435-***29 の梱包状態はアクチュエータがロックした状態とする。
詳細寸法については図面 RSD-52435-027 を参照下さい。
IN THE PACKAGE, ACTUATOR OF PART NO. 52435-***29 SHOULD BE LOCKED RE DETAILED DIMENSIONS, SEE RSD-52435-027
- 梱包数量：1000個/リール
NUMBER OF CONNECTORS: 1000PCS/REEL
- リードテープ長さ LEAD TAPE LENGTH



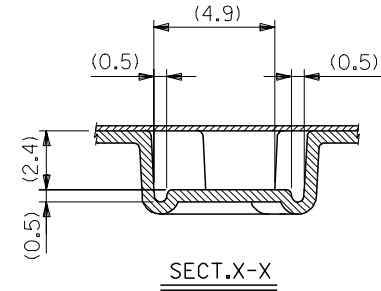
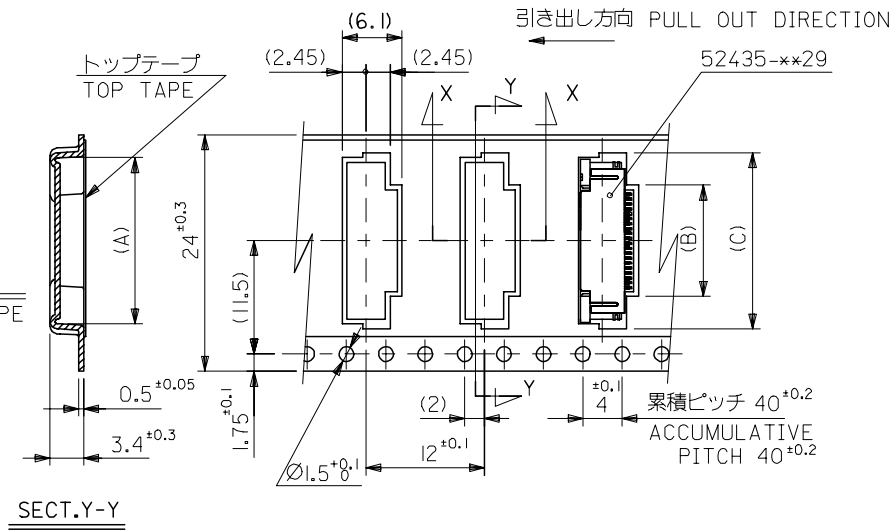
4. 材料 (MATERIAL)

キャリアテープ (CARRIER TAPE): ポリプロピレン (POLYPROPYLENE)
 トップテープ (TOPTAPE): PET, PE, PEF
 リール (REEL): ポリスチレン (PS) <リサイクル材を含む>
 POLYSTYREN (PS) <RECYCLE MATERIAL CONTAINED>

REVISED EC NO: J2006-2753 DRWN: TENAGASE 2006/03/03 CHKD: THARUYAMA 2006/03/10 APPR: NUKITA 2006/03/17	GENERAL TOLERANCES (UNLESS SPECIFIED)		DIMENSION STYLE MM ONLY		SCALE ---	DESIGN UNITS METRIC	THIRD ANGLE PROJECTION	
	10 UNDER	±0.2	DRAWN BY M.UMEDA	DATE 2005/01/17	TITLE 0.5 FPC CONN. ZIF SMT RA WITH TAPE EMBSTP PKG -LEAD FREE-			
	10 OVER 30 UNDER	±0.25	CHECKED BY K.TOYODA	DATE 2005/01/17				
	30 OVER	±0.3	APPROVED BY N.NUKITA	DATE 2005/01/17	MOLEX INCORPORATED			
	ANGULAR	±3 °	MATERIAL NO. 52435-***71					
DRAFT WHERE APPLICABLE MUST REMAIN WITHIN DIMENSIONS		SIZE A3	THIS DRAWING CONTAINS INFORMATION THAT IS PROPRIETARY TO MOLEX INCORPORATED AND SHOULD NOT BE USED WITHOUT WRITTEN PERMISSION					

10 9 8 7 6 5 4 3 2 1

24mm幅キャリアテープ
24mm WIDTH CARRIER TAPE



24	29.4	25.4	18.4	11.8	17.4	52435-2171	21
キャリアテープ幅 CARRIER TAPE WIDTH	E	D	15.9	9.3	14.9	52435-1671	16
		(C)	(B)	(A)		MATERIAL NO.	極数 CIRCUIT

REVISED	DESCRIPTION
EC NO: J2006-2753	DRWN: TENAGASE 2006/03/10
CHKD: THARUYAMA 2006/03/10	APPR: NUKITA 2006/03/17

GENERAL TOLERANCES (UNLESS SPECIFIED)	
10 UNDER	±0.2
10 OVER 30 UNDER	±0.25
30 OVER	±0.3
ANGULAR	±3 °
DRAFT WHERE APPLICABLE MUST REMAIN WITHIN DIMENSIONS	

DIMENSION STYLE MM ONLY	SCALE ---	DESIGN UNITS METRIC	THIRD ANGLE PROJECTION
DRAWN BY M.UMEDA	DATE 2005/01/17	TITLE 0.5 FPC CONN. ZIF SMT RA WITH TAPE EMBSTP PKG -LEAD FREE-	
CHECKED BY K.TOYODA	DATE 2005/01/17	MOLEX MOLEX INCORPORATED	
APPROVED BY N.UKITA	DATE 2005/01/17	MATERIAL NO. 52435-**71	DOCUMENT NO. SD-52435-017
SIZE A3		SHEET NO. 2 OF 4	
THIS DRAWING CONTAINS INFORMATION THAT IS PROPRIETARY TO MOLEX INCORPORATED AND SHOULD NOT BE USED WITHOUT WRITTEN PERMISSION			

10 9 8 7 6 5 4 3 2 1

F

F

E

E

D

D

C

C

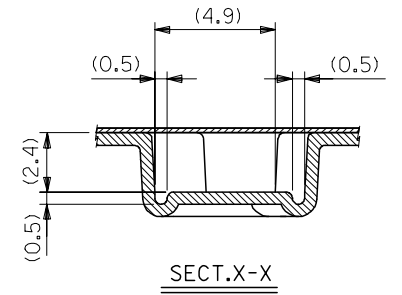
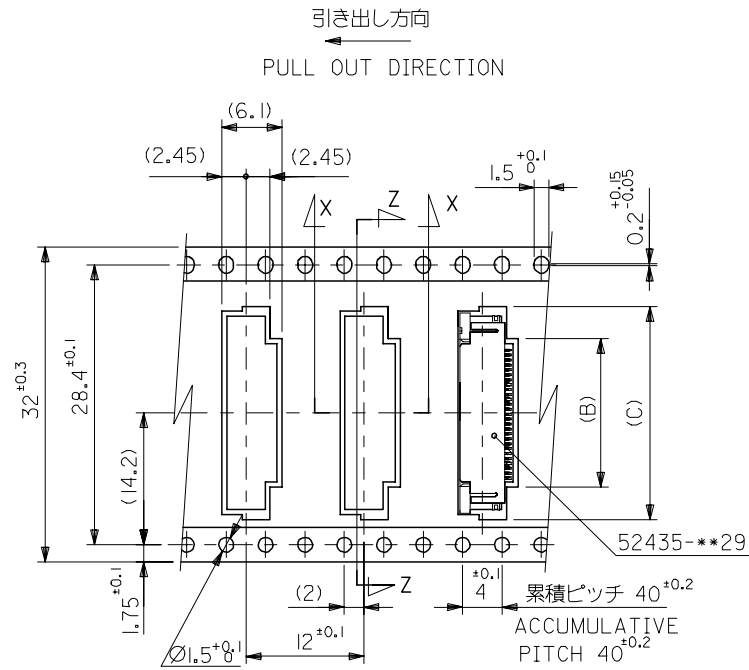
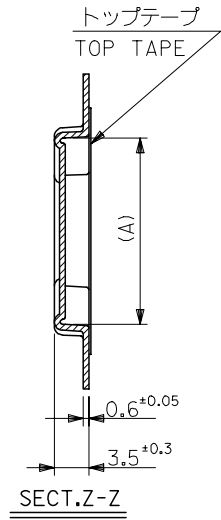
B

B

A

A

32mm幅キャリアテープ
32mm WIDTH CARRIER TAPE



32	37.4	33.4	22.4	15.8	21.4	52435-2971	29
			21.9	15.3	20.9	52435-2871	28
			21.4	14.8	20.4	52435-2771	27
			20.9	14.3	19.9	52435-2671	26
			20.4	13.8	19.4	52435-2571	25
			19.9	13.3	18.9	52435-2471	24
			19.4	12.8	18.4	52435-2371	23
			18.9	12.3	17.9	52435-2271	22

キャリアテープ幅
CARRIER TAPE WIDTH

SCALE ---

DESIGN UNITS
METRIC

THIRD ANGLE PROJECTION

REVISED EC NO: J2006-2753 DRWN: TENAGASE 2006/03/03 CHKD: THARYAMA 2006/03/10 APPR: NUKITA 2006/03/17	GENERAL TOLERANCES (UNLESS SPECIFIED)		DIMENSION STYLE MM ONLY		TITLE 0.5 FPC CONN. ZIF SMT RA WITH TAPE EMBSTP PKG -LEAD FREE-	
	10 UNDER	±0.2	DRAWN BY M.UMEDA		DATE 2005/01/17	
	10 OVER 30 UNDER	±0.25	CHECKED BY K.TOYODA		DATE 2005/01/17	
	30 OVER	±0.3	APPROVED BY N.NUKITA		DATE 2005/01/17	
	ANGULAR	±3 °	MATERIAL NO. 52435-**71		DOCUMENT NO. SD-52435-017	
DRAFT WHERE APPLICABLE MUST REMAIN WITHIN DIMENSIONS			SIZE A3		SHEET NO. 3 OF 4	

10 9 8 7 6 5 4 3 2 1

F

E

D

C

B

A

F

E

D

C

B

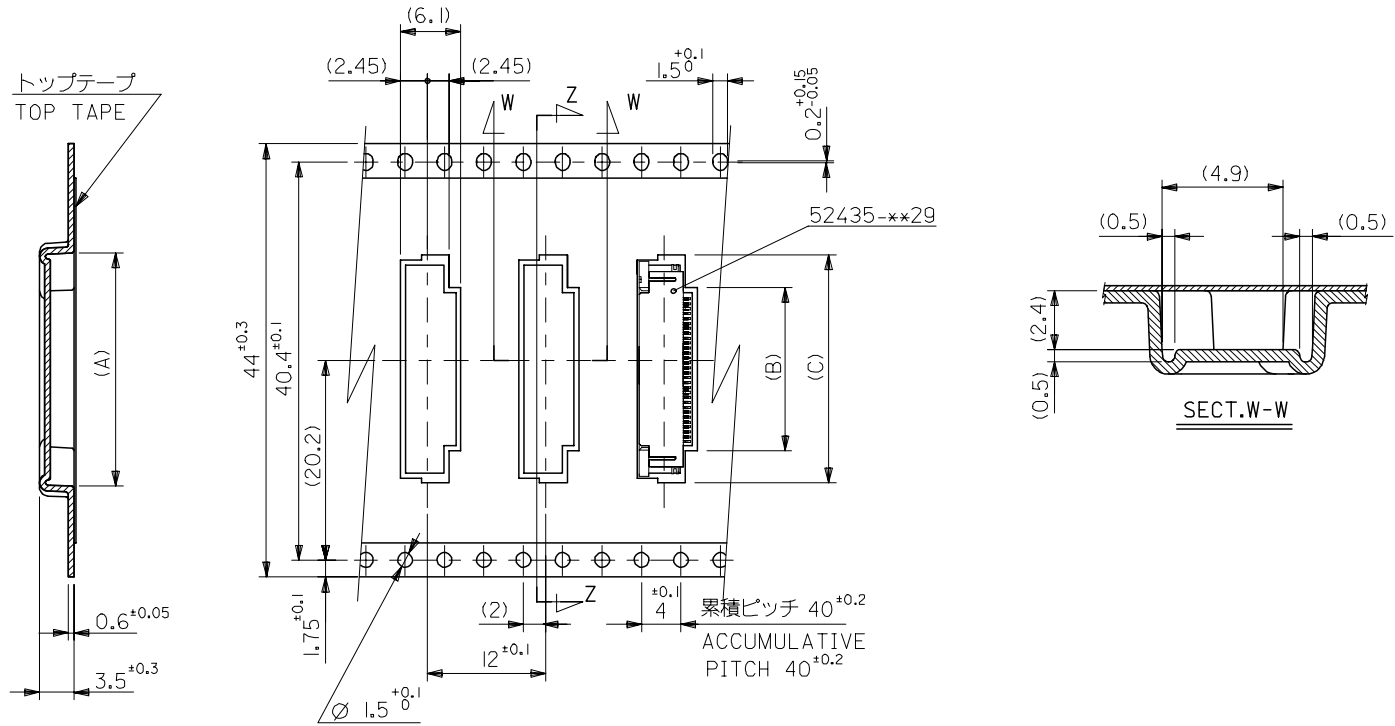
A

引き出し方向
PULL OUT DIRECTION

トップテープ
TOP TAPE

44mm幅キャリアテープ
44mm WIDTH CARRIER TAPE

SECT.Z-Z



44	49.4	45.4	22.9	16.3	21.9	52435-3071	30
キャリアテープ幅 CARRIER TAPE WIDTH	E	D	(C)	(B)	(A)	MATERIAL NO.	極数 CIRCUIT

REVISED EC NO: J2006-2753 DRWN: TENAGASE 2006/03/03 CHKD: THARUYAMA 2006/03/10 APPR: NUKITA 2006/03/17	GENERAL TOLERANCES (UNLESS SPECIFIED)		DIMENSION STYLE MM ONLY		SCALE ---	DESIGN UNITS METRIC	THIRD ANGLE PROJECTION	
	10 UNDER	±0.2	DRAWN BY M.UMEDA	DATE 2005/01/17	TITLE 0.5 FPC CONN ZIF SMT RA WITH TAPE EMBSTP PKG -LEAD FREE-			
	10 OVER 30 UNDER	±0.25	CHECKED BY K.TOYODA	DATE 2005/01/17				
	30 OVER	±0.3	APPROVED BY N.NUKITA	DATE 2005/01/17	MOLEX INCORPORATED			
	ANGULAR	±3 °	MATERIAL NO. 52435-**71	DOCUMENT NO. SD-52435-017				
DRAFT WHERE APPLICABLE MUST REMAIN WITHIN DIMENSIONS		SIZE A3	THIS DRAWING CONTAINS INFORMATION THAT IS PROPRIETARY TO MOLEX INCORPORATED AND SHOULD NOT BE USED WITHOUT WRITTEN PERMISSION					