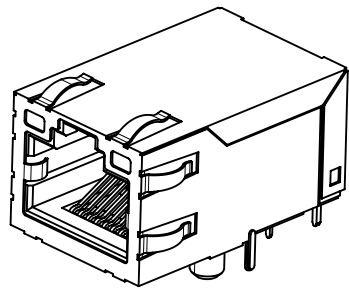


SECTION A-A

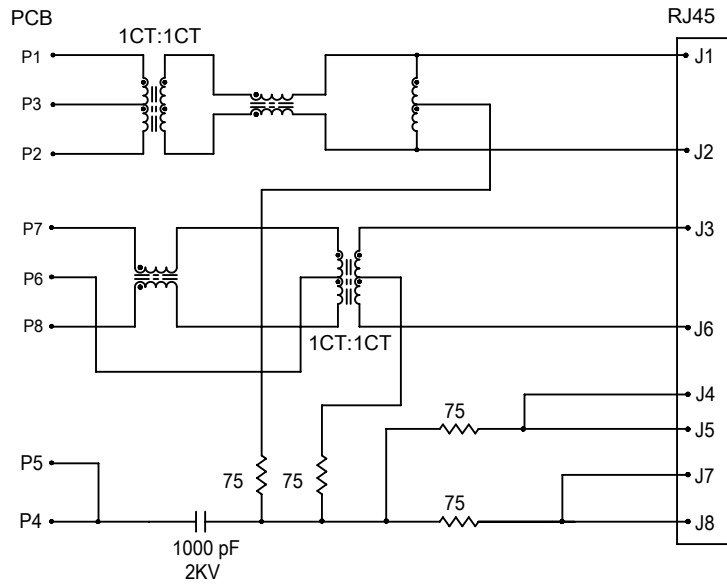
NOTES:

- MATERIAL:
 - METAL SHELL: BRASS.
 - HOUSING: HIGH TEMP THERMOPLASTIC, GLASS FIBER FILLED, UL94V-0, COLOR: BLACK
 - INSERT: HIGH TEMP THERMOPLASTIC, GLASS FIBER FILLED, UL94V-0, COLOR: BLACK
 - TERMINAL: PHOSPHOR BRONZE.
 - RESIN: UEP-700
- PLATING:
 - TERMINAL:
 - CONTACT AREA: GOLD (Au), THICKNESS=50 MICROINCH/1.27 MICROMETER MINIMUM.
 - SOLDER TAIL: TIN (Sn), THICKNESS=100 MICROINCH/2.54 MICROMETER MINIMUM.
 - UNDER PLATE: NICKEL (Ni).
 - METAL SHELL:
 - SOLDER TAIL: TIN (Sn), THICKNESS=100 MICROINCH MINIMUM
 - UNDER PLATE: NICKEL (Ni), (SOLDERING AVAILABLE)
 - SURFACE APPEARANCE: BRIGHT.
- RECOMMENDED PCB THICKNESS: 1.60±0.05
- PRODUCT SPECIFICATION REFER TO PS-48025-004
- TEST SUMMARY REFER TO TS-48025-006
- PACKAGING SPECIFICATION REFER TO PK-48025-001
- LEAD FREE AND ROHS COMPLIANCE PRODUCT
- IR REFLOW APPLICATION PRODUCT

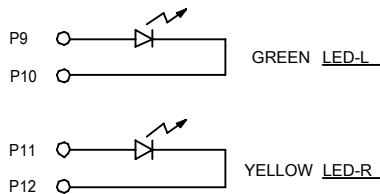


SYMBOLS										THIS DRAWING CONTAINS INFORMATION THAT IS PROPRIETARY TO MOLEX ELECTRONIC TECHNOLOGIES, LLC AND SHOULD NOT BE USED WITHOUT WRITTEN PERMISSION									
DIMENSION UNITS					SCALE					CURRENT REV DESC:									
mm					1:1					EC NO: 637574									
GENERAL TOLERANCES (UNLESS SPECIFIED)										DRWN: CCHEN103 2019/08/30									
ANGULAR TOL ± 3.0°										CHK'D: SHLENI 2020/05/28									
4 PLACES ±										APPR: SHLENI 2020/05/28									
3 PLACES ±										INITIAL REVISION:									
2 PLACES ± 0.25										DRWN: ALLIN 2005/10/07									
1 PLACE ± 0.25										APPR: WWSCHANG 2005/10/13									
0 PLACES ±										DOCUMENT NUMBER									
DRAFT WHERE APPLICABLE MUST REMAIN WITHIN DIMENSIONS					THIRD ANGLE PROJECTION					DRAWING					SERIES				
					A4-SIZE					48025					MATERIAL NUMBER				
															780250002				
															CUSTOMER				
															GENERAL MARKET				
															SHEET NUMBER				
															1 OF 2				

DOCUMENT STATUS	P1	RELEASE DATE	2020/05/28	00:36:57
-----------------	----	--------------	------------	----------



MAGNETIC SCHEMATIC



LED SCHEMATIC

MAGNETIC ELECTRICAL SPECIFICATION

PARAMETER	SPECIFICATIONS		
	100 KHz	1-125 MHz	
INSERTION LOSS	1.2 dB MAX	0.2+0.002*f^1.4 dB MAX	
RETURN LOSS (Z OUT=100 OHM±15%)	1-30 MHz	30-60 MHz	60-80 MHz
	16 dB MIN	10-20*LOG ₁₀ (f/60 MHz) dB MIN.	10 dB MIN.
INDUCTANCE (OCL) (MEDIA SIDE, 0° +70°C)	350 uH MIN (MEASURED AT 100 KHz, 100 mVRMS AND WITH 8 mA DC BIAS)		
CROSSTALK, ADJACENT CHANNELS	1 MHz	10-100 MHz	
	50 dB MIN	50-17*LOG ₁₀ (f/10) dB MIN.	
COMMON MODE REJECTION RATIO	2 MHz	30-200 MHz	
	50 dB MIN	15-20*LOG ₁₀ (f/200) dB MIN.	
DC RESISTANCE 1/2 WINDING	0.60 OHMS MAX.		
DC RESISTANCE IMBALANCE	±0.065 OHMS MAX (CENTER TAP SYMMETRY)		
HI-POT ISOLATION	1500 VRMS AC		

NOTE: f IS FREQUENCY IN MHZ.

LED ELECTRICAL SPECIFICATION

PARAMETER	YELLOW (TYP.)	GREEN (TYP.)	UNITS	TEST CONDITIONS
POWER DISSIPATION	105	105	mW	
REVERSE VOLTAGE	5	5	V	
PEAK WAVELENGTH	590	565	nm	IF=20mA
FORWARD VOLTAGE	2.1	2.2	V	IF=20mA

SYMBOLS DIMENSION UNITS: mm SCALE: 1:1 GENERAL TOLERANCES (UNLESS SPECIFIED) ANGULAR TOL ± 3.0° 4 PLACES ± 3 PLACES ± 2 PLACES ± 0.25 1 PLACE ± 0.25 0 PLACES ± DRAFT WHERE APPLICABLE MUST REMAIN WITHIN DIMENSIONS	THIS DRAWING CONTAINS INFORMATION THAT IS PROPRIETARY TO MOLEX ELECTRONIC TECHNOLOGIES, LLC AND SHOULD NOT BE USED WITHOUT WRITTEN PERMISSION		CURRENT REV DESC:				
	EC NO: 637574		2019/08/30			MODR JK RA DIP WITH LED MAGNETICS FOR IR REFLOW (LEAD FREE VERSION)	
	DRWN: CCHEN103		2020/05/28				
	CHK'D: SHLENI		2020/05/28				
	APPR: SHLENI		2020/05/28		PRODUCT CUSTOMER DRAWING		
	INITIAL REVISION:		DOCUMENT NUMBER		DOC TYPE	DOC PART	REVISION
	DRWN: ALLIN		SD-48025-006		PSD	001	D1
	APPR: WWSCHANG		MATERIAL NUMBER		CUSTOMER		SHEET NUMBER
	THIRD ANGLE PROJECTION		480250002		GENERAL MARKET		2 OF 2
	DRAWING		SERIES				
A4-SIZE		48025					