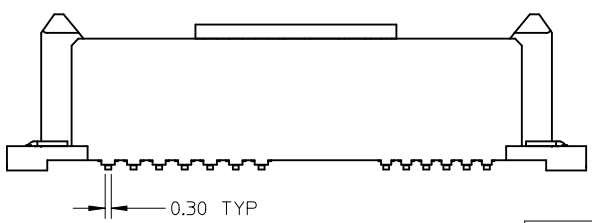
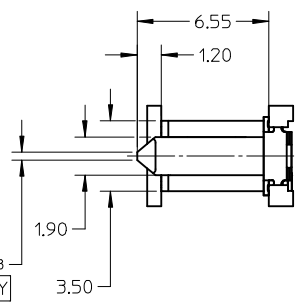
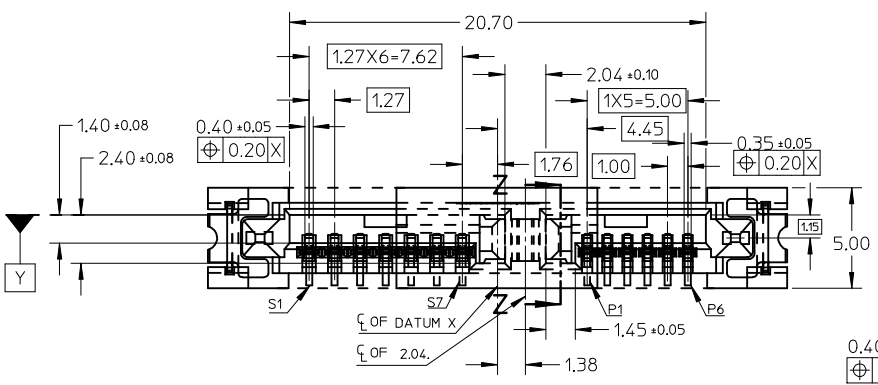


SECTION Z-Z

- NOTES :
- MATERIAL :
HOUSING : HIGH TEMPERATURE THERMOPLASTIC, UL94V-0, 30% G.F., BLACK.
TERMINAL : COPPER ALLOY
FITTING NAIL : COPPER ALLOY
COVER CAP:HIGH TEMPERATURE THERMOPLASTIC, UL94V-0, 30% G.F., BLACK.
 - PLATING :
TERMINAL :
CONTACT AREA :SEE TABLE.
SOLDER AREA : TIN PLATING.
UNDERPLATING : NICKEL PLATING.
FITTING NAIL :
TIN PLATING 1.0 MICRONS MIN. OVER NICKEL PLATING 1.0 MICRONS MIN.
 - FOR P1 PIN ONLY.
 - FOR ALL OTHER PINS.
 - PRODUCT SPECIFICATION:PER PS-47650-001.
 - PRODUCT PACKAGE:PER PK-47650-001.
 - TERMINAL AND NAIL COPLANARITY TO BE 0.15MAX.
 - THE PRODUCT COMPLIANT TO RoHS DIRECTIVE 2002/95/EC AND 2000/53/EC.



TABLE

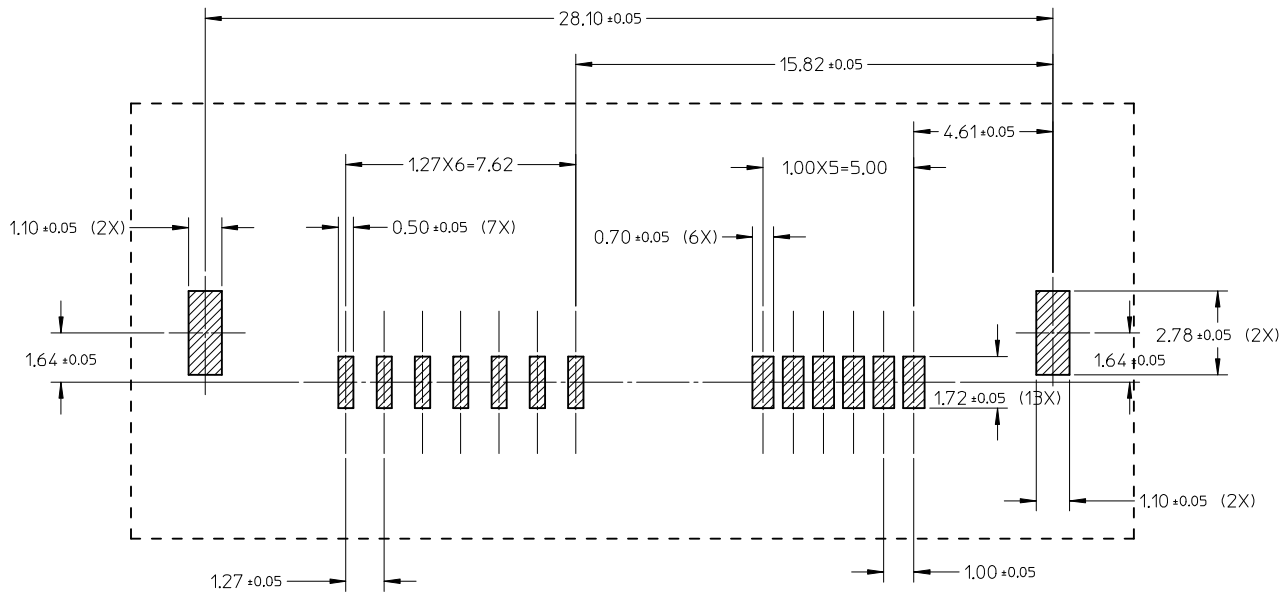
P/N	CONTACT AREA PLATING
47650-0001	0.1 MICRON MIN. GOLD
47650-0002	0.38 MICRON MIN. GOLD

UPDATE DRAWING	DESCRIPTION
EC NO: SH2009-0756	REV
DRWN:XJ SONG 2009/06/01	
CHKD:XJ SONG 2009/06/02	
APPR:HWANG 2009/06/30	

QUALITY SYMBOLS	GENERAL TOLERANCES (UNLESS SPECIFIED)	
	mm	INCH
▽=0	4 PLACES ± ---	± ---
▽=0	3 PLACES ± ---	± ---
	2 PLACES ± 0.15	± ---
	1 PLACE ± 0.20	± ---
	ANGULAR ± 2 °	
	DRAFT WHERE APPLICABLE MUST REMAIN WITHIN DIMENSIONS	

DIMENSION STYLE		SCALE	DESIGN UNITS	THIRD ANGLE PROJECTION
MM ONLY		4:1	METRIC	☉
DRAWN BY	DATE	TITLE		
LSONG	2008-2-16	SLIMLINE SATA RECEPTACLE CONNECTOR		
CHECKED BY	DATE			
JTIAN	2008-2-16			
APPROVED BY	DATE			
HWANG	2008-2-16			
MATERIAL NO.	DOCUMENT NO.			
SEE TABLE	SD-47650-001			
SIZE	THIS DRAWING CONTAINS INFORMATION THAT IS PROPRIETARY TO MOLEX INCORPORATED AND SHOULD NOT BE USED WITHOUT WRITTEN PERMISSION			
A3				

MOLEX INCORPORATED		SHEET NO.
SD-47650-001		1 OF 2



RECOMMENDED PCB LAYOUT DIMENSION

SEE SHEET 1	EC NO: SH2009-0756	2009/06/01	QUALITY SYMBOLS =0 =0	GENERAL TOLERANCES (UNLESS SPECIFIED)		DIMENSION STYLE MM ONLY		SCALE	DESIGN UNITS	THIRD ANGLE PROJECTION		
	DRWN: XJSONG	2009/06/01		4 PLACES	mm	INCH	DRAWN BY	DATE	6:1	METRIC	TITLE SLIMLINE SATA RECEPTACLE CONNECTOR	
	CHKD: XJSONG	2009/06/02		3 PLACES	± ---	± ---	CHECKED BY	DATE				
	APPR: HWWANG	2009/06/30		2 PLACES	± 0.15	± ---	APPROVED BY	DATE				
REV	DESCRIPTION	1 PLACE	± 0.20	± ---	HWWANG	2008-2-16						
		ANGULAR ± 2 °		DRAFT WHERE APPLICABLE MUST REMAIN WITHIN DIMENSIONS		MATERIAL NO.		DOCUMENT NO.		SHEET NO.		
						SEE SHEET 1		MOLEX INCORPORATED		SD-47650-001		
						SIZE A3		THIS DRAWING CONTAINS INFORMATION THAT IS PROPRIETARY TO MOLEX INCORPORATED AND SHOULD NOT BE USED WITHOUT WRITTEN PERMISSION				