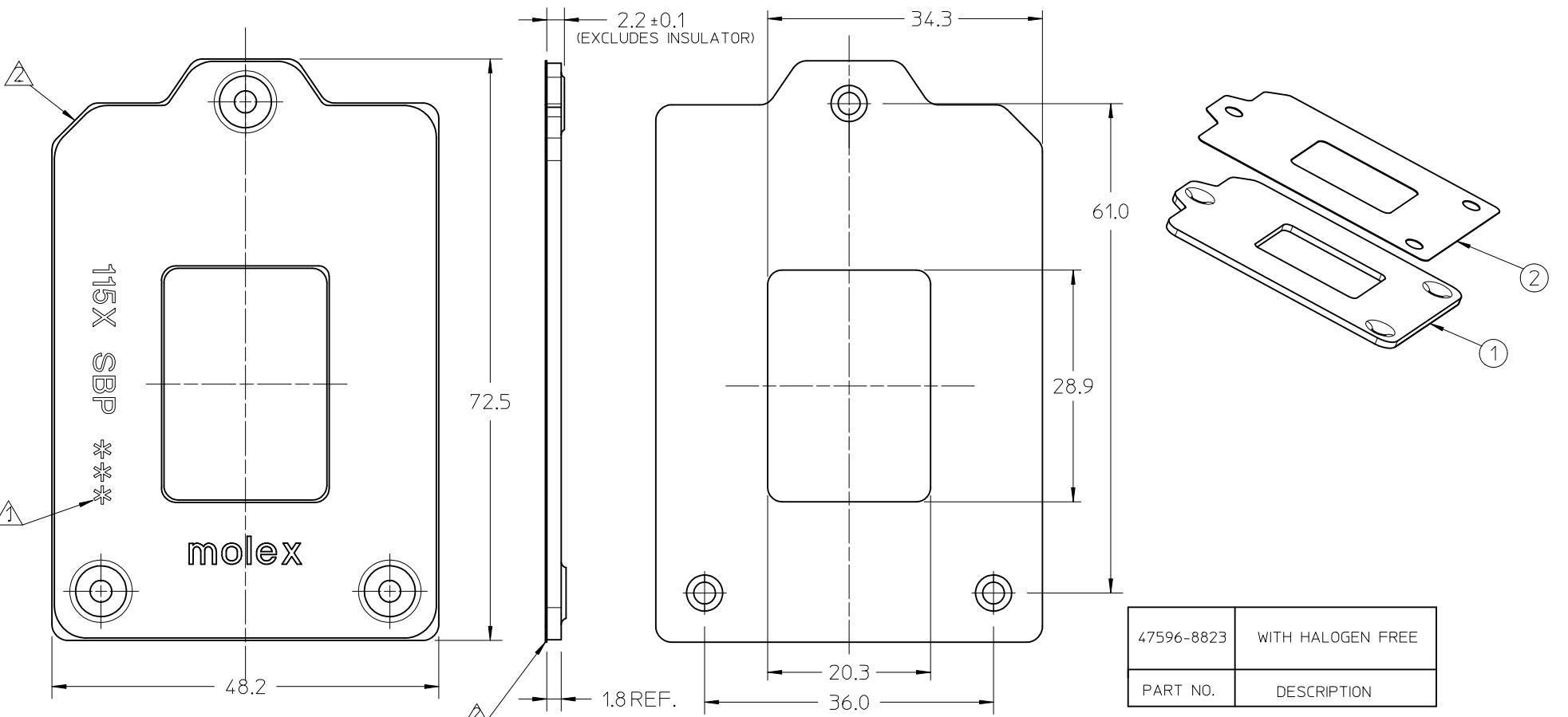


10 9 8 7 6 5 4 3 2 1



ITEM NO	QTY	DESCRIPTION	MATERIAL
	1	ILM BACK PLATE ASSY	
①	1	SOCKET BACKPLATE FOR 1U SERVER	STEEL WITH NICKEL PLATING
②	1	SOCKET BACKPLATE INSULATOR	POLYCARBONATE FILM

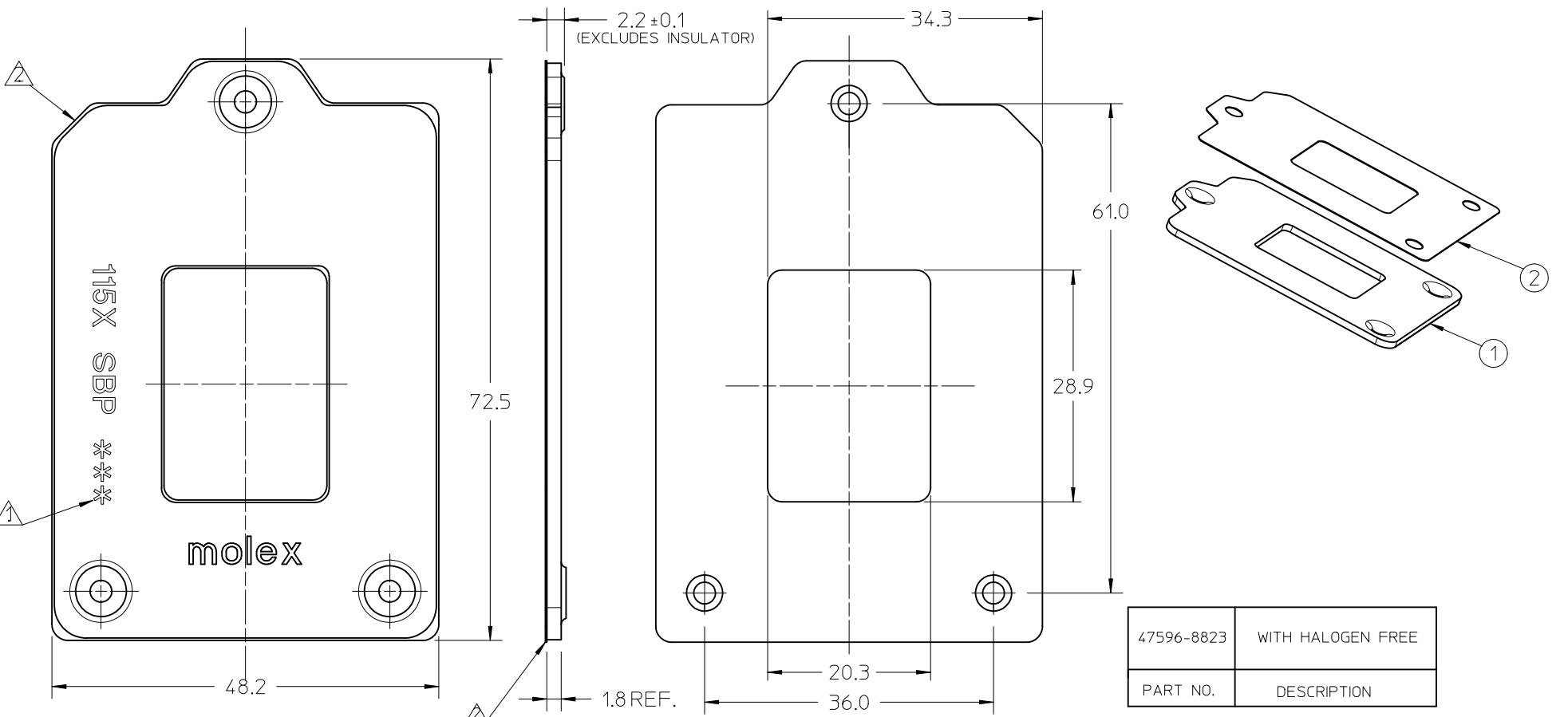
NOTES:

- ① DATE CODE
- \* \* \* WORKING DAY
- WORKING MONTH
- WORKING YEAR
- ② INSULATOR OVERHANGS ALL EXTERNAL EDGES.
- 3. 6-32 UNC MIN. 2MM THREAD DEPTH
- 4. THE PART IS COMPLIANT TO RoHS DIRECTIVE 2002/95/EC AND ELV 2000/53/EC.

<b>ENTER DESCRIPTION</b> EC NO: SH2012-0146 DRWN: JZHANG11 2011/11/17 CHKD: APPR: AYIN 2011/12/30	QUALITY SYMBOLS	GENERAL TOLERANCES (UNLESS SPECIFIED)	DIMENSION STYLE	SCALE	DESIGN UNITS	THIRD ANGLE PROJECTION
	$F_{\Delta}=0$ $F_{\nabla}=0$ $F_{\square}=0$	mm INCH 4 PLACES ± --- ± --- 3 PLACES ± --- ± --- 2 PLACES ± 0.10 ± --- 1 PLACE ± 0.15 ± --- ANGULAR ± 1/2°	MM ONLY	2:1	METRIC	
		DRAFT WHERE APPLICABLE MUST REMAIN WITHIN DIMENSIONS	DRAWN BY: YQSUN DATE: 2008/12/15	TITLE: 115X BACK PLATE ASSEMBLY FOR 1U SERVER		
			CHECKED BY: DATE:	MOLEX MOLEX INCORPORATED		
			APPROVED BY: DATE:	MATERIAL NO. SEE TABLE		DOCUMENT NO. SD-47596-104
				SIZE: A3		SHEET NO. 1 OF 1

9 8 7 6 5 4 3 2 1

10 9 8 7 6 5 4 3 2 1



ITEM NO	QTY	DESCRIPTION	MATERIAL
	1	ILM BACK PLATE ASSY	
①	1	SOCKET BACKPLATE FOR 1U SERVER	STEEL WITH NICKEL PLATING
②	1	SOCKET BACKPLATE INSULATOR	POLYCARBONATE FILM

NOTES:

- ① DATE CODE
- \* \* \* WORKING DAY
- WORKING MONTH
- WORKING YEAR
- ② INSULATOR OVERHANGS ALL EXTERNAL EDGES.
- 3. 6-32 UNC MIN. 2MM THREAD DEPTH
- 4. THE PART IS COMPLIANT TO RoHS DIRECTIVE 2002/95/EC AND ELV 2000/53/EC.

<b>ENTER DESCRIPTION</b> EC NO: SH2012-0146 DRWN: JZHANG11 2011/11/17 CHKD: APPR: AYIN 2011/12/30	QUALITY SYMBOLS	GENERAL TOLERANCES (UNLESS SPECIFIED)	DIMENSION STYLE	SCALE	DESIGN UNITS	THIRD ANGLE PROJECTION
	$F_{\Delta}=0$ $F_{\nabla}=0$ $F_{\square}=0$	4 PLACES ± --- ± --- 3 PLACES ± --- ± --- 2 PLACES ± 0.10 ± --- 1 PLACE ± 0.15 ± --- ANGULAR ± 1/2°	MM ONLY	2:1	METRIC	
			DRAWN BY: YQSUN DATE: 2008/12/15	TITLE: 115X BACK PLATE ASSEMBLY FOR 1U SERVER		
			CHECKED BY: DATE:	MOLEX MOLEX INCORPORATED		
		DRAFT WHERE APPLICABLE MUST REMAIN WITHIN DIMENSIONS	APPROVED BY: DATE:	MATERIAL NO. SEE TABLE	DOCUMENT NO. SD-47596-104	SHEET NO. 1 OF 1
			SIZE: A3	THIS DRAWING CONTAINS INFORMATION THAT IS PROPRIETARY TO MOLEX INCORPORATED AND SHOULD NOT BE USED WITHOUT WRITTEN PERMISSION		

9 8 7 6 5 4 3 2 1