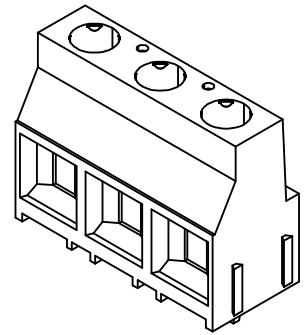
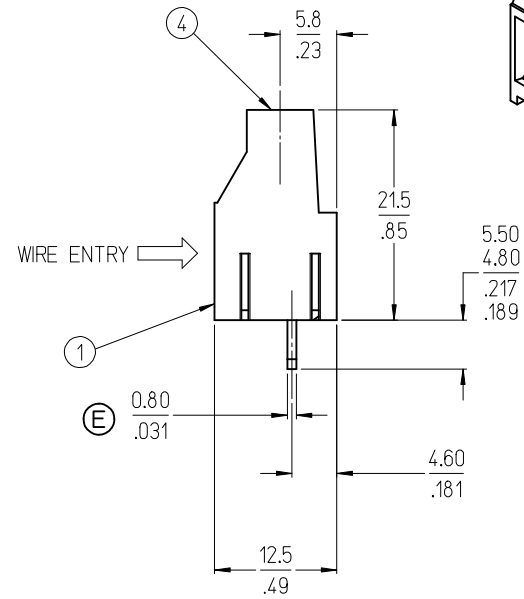
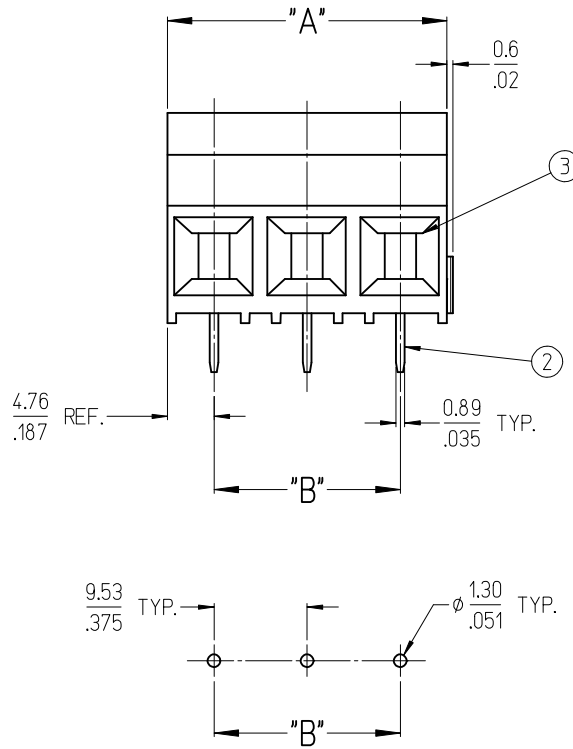


MATERIAL NO.	NUMBER OF CIRCUITS "XX"	DIM. "A"	DIM. "B"
393900102	02	19.1 / .75	9.53 / .375
393900103	03	28.6 / 1.13	19.05 / .750

(E)

SPECIFICATIONS:

- A. ELECTRICAL RATING: 600V, 30A
- B. CONTACT RESISTANCE: <math><15m\Omega</math>
- C. INSULATION RESISTANCE: >math>10^9\Omega</math> (500V DC)
- D. OPERATING TEMP: -40°C TO +110°C
- E. WIRE RANGE: 30 TO 10AWG
- F. WIRE STRIP LENGTH: .28-.31 (7.0 TO 8.0mm)
- G. TIGHTENING TORQUE: 7.0 TO 8.9 IN. LBS.



NOTES:

- 1. MATERIAL: SEE TABLE
- 2. FINISHES: SEE TABLE
- 3. 3 CIRCUIT SHOWN
- 4. ASSEMBLY IS ROHS COMPLIANT
- 5. DIMENSIONS SHOWN ARE FOR REFERENCE

ITEM	QTY.	DESCRIPTION	MATERIAL	FINISH
4	XX	SCREW	COPPER ALLOY	NICKEL
3	XX	CAGE CLAMP	COPPER ALLOY	NICKEL
2	XX	TERMINAL	COPPER ALLOY	TIN
1	1	INSULATOR	POLYAMIDE	BLACK

ADDED SPECS, REVID NOTES EC NO: ICG2016-0274 DR: MHRSTONE 2015/08/19 CHK: MZLE INSKI 2015/08/21 APPR: BWOODMAN 2015/09/14	QUALITY SYMBOLS ▽=0 ▽=0	GENERAL TOLERANCES (UNLESS SPECIFIED)		DIMENSION STYLE IN/MM	SCALE INCH	DESIGN UNITS INCH	THIRD ANGLE PROJECTION
		4 PLACES ± --- ± --- 3 PLACES ± --- ± .005 2 PLACES ± 0.13 ± .01 1 PLACE ± 0.3 ± ---	DRAWN BY R. KEMP	DATE 2003/07/01	TITLE 9.53/.375 FIXED TERMINAL BLOCK ASSEMBLY		
		ANGULAR ± 2°	CHECKED BY R. STONE	DATE 2003/07/01	APPROVED BY P. WALTZ		DATE 2003/07/01
		DRAFT WHERE APPLICABLE MUST REMAIN WITHIN DIMENSIONS	SEE CHART		MATERIAL NO.	DOCUMENT NO. SD-39390-001	SHEET NO. 1 OF 1

THIS DRAWING CONTAINS INFORMATION THAT IS PROPRIETARY TO MOLEX INCORPORATED AND SHOULD NOT BE USED WITHOUT WRITTEN PERMISSION