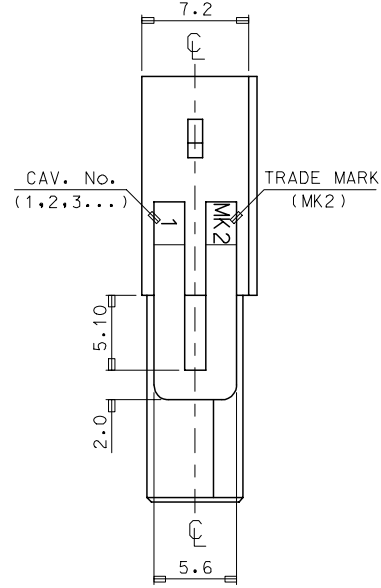
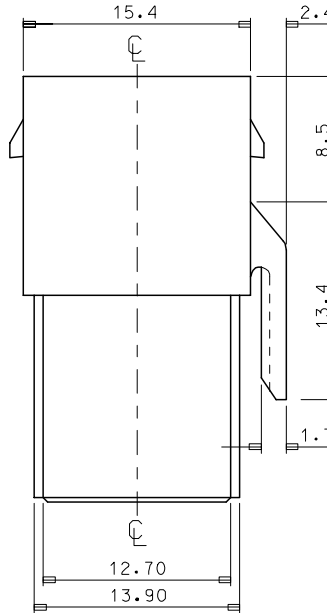
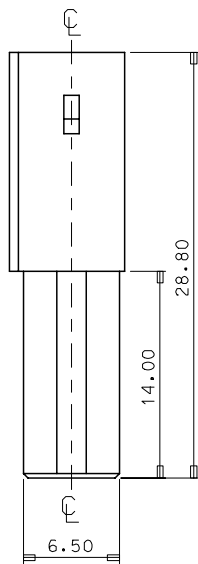
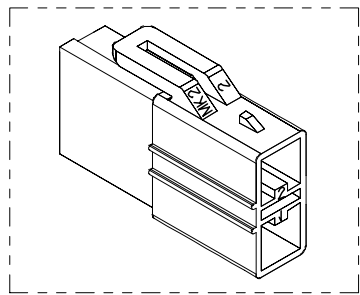


- NOTES
1. MATERIAL & COLOR : SEE TABLE
 2. MATCHED HOUSING : 35180-040*
35180-060*
 3. APPLICABLE TERMINAL : 35745-0*10
 4. APPLICABLE T.P.A : 35182-019*



↑ "A"

NO	PRODUCT		MATERIAL	
	PART NO	MATERIAL NO	COLOR	DESCRIPTION
1	35181-0210	351810210	NATURAL	PBT
2	35181-0214	351810214	BLUE	(UL94V-0)
3	35181-0219	351810219	NATURAL	PBT/PC(UL94V-0)

REVISED
 EC NO: KOR2008-0048
 DRWN: JHPARK01 2007/09/10
 CHKD: WYANG 2007/09/10
 APPR: YUNSIKKIM 2007/09/10

QUALITY SYMBOLS
 ▽=0
 ▽=0

GENERAL TOLERANCES (UNLESS SPECIFIED)

	mm	INCH
4 PLACES	±---	±---
3 PLACES	±---	±---
2 PLACES	±---	±---
1 PLACE	±0.3	±---
ANGULAR ± 1°		

DRAFT WHERE APPLICABLE
 MUST REMAIN WITHIN DIMENSIONS

DIMENSION STYLE
 MM ONLY

DRAWN BY
 JS.KANG

CHECKED BY

APPROVED BY

MATERIAL NO.

SIZE
 A3

SCALE
 3:1

DESIGN UNITS
 METRIC

THIRD ANGLE PROJECTION

.070 MULTI W/W CONN
 FEMALE HSG-2P(B)

MOLEX INCORPORATED

SD-35181-021*

SHEET NO.
 1 OF 01

THIS DRAWING CONTAINS INFORMATION THAT IS PROPRIETARY TO MOLEX INCORPORATED AND SHOULD NOT BE USED WITHOUT WRITTEN PERMISSION