

**PLEASE CHECK WWW.MOLEX.COM FOR LATEST PART INFORMATION**

**Part Number:** [0011402221](#)  
**Status:** **Active**  
**Overview:** [Application Tooling](#)  
**Description:** Terminator Die

**Documents:**

[RoHS Certificate of Compliance \(PDF\)](#)

**General**

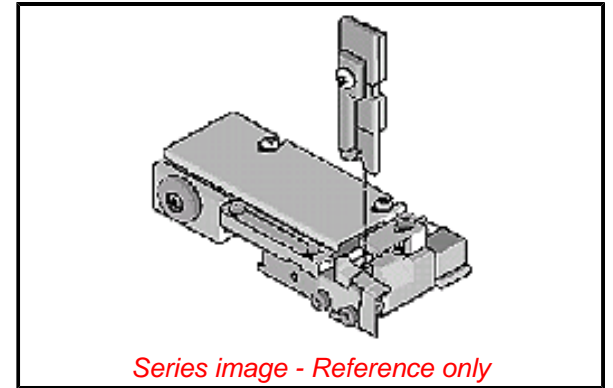
Product Family	Application Tooling
Series	<a href="#">207122</a>
Function	Crimp
Geographic Area	Global
Level of Automation	Semi-Automatic
More Detailed Tech Information	<a href="mailto:applicationtooling@molex.com">applicationtooling@molex.com</a>
Overview	<a href="#">Application Tooling</a>
Product Name	N/A
Tool Type	Terminator Die
UPC	800753906723
Warranty Disclaimer	CAUTION: Molex tooling crimp specifications are valid only when used with Molex terminals and tooling manufactured by Molex and sold by Molex or authorized distributors ("Molex Tooling"). When using tooling other than Molex Tooling with Molex specific connector systems listed in our ATS documents, the Molex tooling qualification does not apply and the responsibility for full qualification of the connector system is that of the customer. Molex accepts no liability for connector performance or tooling support where tooling other than Molex Tooling is used or where Molex Tooling is modified.

**Material Info**

Engineering Number T8334B

**Reference - Drawing Numbers**

Application Tooling Documents  
T8334B, TM-638000029-001, TM-638000029CN-001, TM-638000029DE-001, TM-638000029FR-001, TM-638000029IT-001, TM-638000029JP-001, TM-638000029KR-001, TM-638000029MY-001, TM-638000029PL-001, TM-638000029RU-001, TM-638000029SK-001, TM-638000029SP-001, TM-638000029TH-001, TM-638000029TW-001, TM-638000029VN-001, TM-638500090, TM-638500090SP



**EU ELV**

**Not Reviewed**

**EU RoHS**

**Not Reviewed**

**REACH SVHC**

Not Reviewed

**Halogen-Free**

**Status**

**Not Reviewed**

For more information, please visit [Contact US](#)

China ROHS

Not Reviewed

ELV

Not Reviewed

RoHS Phthalates

Not Reviewed

**Search Parts in this Series**

[207122 Series](#)

**Use With**

Molex TM-42 Press [690025001](#) and Base Unit [11193001](#) for the 3BF Press

**Application Tooling** | **FAQ**

**Description**

**Product #**

1.57mm Diameter, [2061103](#)

Standard .062" Pin and Socket Crimp Terminal, Female, with Tin (Sn) Plated Brass Contact, 18-24 AWG, Bag

1.57mm Diameter, [2061132](#)

Standard .062" Pin and Socket Crimp Terminal, Series 1855, Female, with Tin (Sn) Plated Brass Contact, 24-30 AWG, Bag

1.57mm Diameter, [2062103](#)

Standard .062" Pin and Socket Crimp

Terminal, Series  
1560, Male, with Tin  
(Sn) Plated Brass  
Contact, 18-24 AWG,  
Bag

1.57mm Diameter, 2062132  
Standard .062" Pin  
and Socket Crimp

Terminal, Series  
1854, Male, with Tin  
(Sn) Plated Brass  
Contact, 24-30 AWG,  
Bag

1.57mm Diameter, 2065102  
Standard .062" Pin  
and Socket Crimp

Terminal, Female,  
with 0.76µm Gold  
(Au) Plated Brass  
Contact, 18-24 AWG,  
Bag

1.57mm Diameter, 2065103  
Standard .062" Pin  
and Socket Crimp

Terminal, Female,  
with 0.38µm Gold  
(Au) Plated Brass  
Contact, 18-24 AWG,  
Bag

1.57mm Diameter, 2065104  
Standard .062" Pin  
and Socket Crimp

Terminal, Series  
1561, Female,  
with 1.27µm Gold  
Max. Insulation  
Diameter, Loose in  
Bag Packaged

1.57mm Diameter, 2065109  
Standard .062" Pin  
and Socket Crimp

Terminal, Female,  
with Selective Gold  
(Au) Plated Brass  
Contact, 18-24 AWG,  
Bag

1.57mm Diameter, 2065135  
Standard .062" Pin  
and Socket Crimp

Terminal, Series  
1855, Female,  
with 0.38µm Gold  
(Au) Plated Brass  
Contact, 24-30 AWG,  
Bag

1.57mm Diameter, 2065139  
Standard .062" Pin  
and Socket Crimp

Terminal, Series  
1855, Female,  
with 0.76µm Gold  
(Au) Plated Brass  
Contact, 24-30 AWG,  
Bag

1.57mm Diameter, [2065148](#)  
Standard .062" Pin  
and Socket Crimp  
Terminal, Series  
1855, Female, with  
Selective Gold  
(Au) Plated Brass  
Contact, 24-30 AWG,  
Bag

1.57mm Diameter, [2066102](#)  
Standard .062"  
Pin and Socket  
Crimp Terminal,  
Series 1560, Male,  
with .76µm Selective  
Gold (Au) Plated  
Brass Contact, 18-24  
AWG, Bag Packaged

1.57mm Diameter, [2066103](#)  
Standard .062" Pin  
and Socket Crimp  
Terminal, Series  
1560, Male, with  
Gold (Au) Plated  
Brass Contact, 18-24  
AWG, Bag

1.57mm Diameter, [2066104](#)  
Standard .062"  
Pin and Socket  
Crimp Terminal,  
Series 1560, Male,  
with Selective  
1.27µm Select Gold  
(Au) Plated Brass  
Contact, 18-24 AWG,  
Bag Packaged

1.57mm Diameter, [2066119](#)  
Standard .062" Pin  
and Socket Crimp  
Terminal, Series  
1560, Male, with  
Selective Gold  
(Au) Plated Brass  
Contact, Tin/Lead  
Plated Crimp Area,  
18-24 AWG, Bag

1.57mm Diameter, [2066122](#)  
Standard .062"  
Pin and Socket  
PC Tail Terminal,  
Series 1778, Male,  
with Selective Gold  
(Au) Plated Brass  
Contact, Bag

.062 Male Term PC [2066125](#)  
Tail 30 au

1.57mm Diameter, [2066135](#)  
Standard .062" Pin  
and Socket Crimp  
Terminal, Series  
1854, Male, with  
Gold (Au) Plated  
Brass Contact, 24-30  
AWG, Bag

1.57mm Diameter, 2066139  
Standard .062" Pin  
and Socket Crimp  
Terminal, Series  
1854, Male, with  
Selective Gold  
(Au) Plated Brass  
Contact, 24-30 AWG,  
Bag

1.57mm Diameter, 2066144  
Standard .062" Pin  
and Socket Crimp  
Terminal, Series  
1854, Male, with  
Selective Gold  
(Au) Plated Brass  
Contact, Tin (Sn)  
Plated Crimp Area,  
24-30 AWG, Bag

1.57mm Diameter, 2067103  
Standard .062" Pin  
and Socket PC Tail  
Terminal, Series  
1779, Female,  
with 2.54µm Tin  
(Sn) Plated Brass  
Contact, Bag  
Packaged

1.57mm Diameter, 2067104  
Standard .062" Pin  
and Socket PC Tail  
Terminal, Series  
1779, Female,  
with .76µm Selective  
Gold (Au) Plated  
Brass Contact, Bag  
Packaged

1.57mm Diameter, 2068103  
Standard .062" Pin  
and Socket PC Tail  
Terminal, Series  
1778, Male, with Tin  
(Sn) Plated Brass  
Contact, Bag

062 Male Term Tin 2068104  
PCTail Chn

MLX Crimp Terminal 2081002  
42024, 14-20 AWG,  
Bag Tin (Sn)

MLX Crimp Terminal 2081004  
42024, 14-20 AWG,  
Bag Tin (Sn)

Claspcn Crimp 2081102  
Terminal Socket, Tin  
(Sn) Plated Brass  
Contact, 16-24 AWG,  
Bag

Claspcn Crimp 2081103  
Terminal Socket, Tin  
(Sn) Plated Brass  
Contact, 24-30 AWG,  
Reel

Claspcn Crimp 2081104  
Terminal Socket, Tin  
(Sn) Plated Brass

Contact, 24-30 AWG,  
Bag  
.084" UNPLATED 2081211  
TERMINAL 8980V01  
.084" PC TAIL TERM2081212  
- 999 8980R11  
.084" PC TAIL TERM2081214  
- 999 8980R13  
2.096MM DIA 2081266  
TERMINAL  
2.096MM DIA 2081268  
TERMINAL  
2.13mm DIA PC 2081309  
TAIL TERM PhBr  
2.54SnLF  
2.096MM DIA 2081363  
TERMINAL PhBr  
2.54SnLF  
2.096MM DIA 2081365  
TERMINAL PhBr  
2.54SnLF  
MLX Crimp Terminal 2082004  
42023, 14-20 AWG,  
Bag Tin (Sn)  
MLX Crimp Terminal 2082006  
42023, 14-20 AWG,  
Bag Tin (Sn)  
MLX Crimp Terminal 2082008  
42023, 14-20 AWG,  
Bag Selective Gold  
(Au)  
42023-2A0, Ter Male 2082011  
2.13 Chn Unplate  
Clascon Crimp 2085101  
Terminal Socket, Tin  
(Sn) Plated Brass  
Contact, 16-24 AWG,  
Reel  
2.36mm Diameter, 2091104  
Standard .093" Pin  
and Socket Crimp  
Terminal, Series  
1189, Female, with  
Tin (Sn) Plated Brass  
Contact, 14-20 AWG,  
Bag  
2.36mm Diameter 2091118  
Standard .093"  
Crimp Terminal,  
Dimpled Female,  
18-22 AWG, Bag  
2.36mm Diameter, 2091119  
Standard .093" Pin  
and Socket Crimp  
Terminal, Series  
1381, Female, with  
Tin (Sn) Plated Brass  
Contact, 18-22 AWG,  
Bag  
2.36mm Diameter, 2091123  
Standard .093" Pin  
and Socket Crimp  
Terminal, Series  
2273, Female, with  
Tin (Sn) Plated

Contact, Low  
Engagement Force,  
18-22 AWG, Bag  
2.36mm Diameter, 2091134  
Standard .093" Pin  
and Socket PC Tail  
Terminal, Series  
1377, Female, with  
Tin (Sn) Plated  
Contact, Bag  
2.36mm Diameter, 2091155  
Standard .093" Pin  
and Socket Crimp  
Terminal, Series  
41483, Female, with  
Tin (Sn) Plated Brass  
Contact, 14-18 AWG  
with Large Insulation  
Diameter, Chain  
2.36mm Diameter, 2091206  
Standard .093" Pin  
and Socket Crimp  
Terminal, Series  
4550, Female, with  
Tin (Sn) Plated  
Phosphor Bronze  
Contact, 14-20 AWG,  
Bag  
2.36mm Diameter, 2092118  
Standard .093" Pin  
and Socket Crimp  
Terminal, Series  
1380, Male, with Tin  
(Sn) Plated Brass  
Contact, 18-22 AWG,  
Bag  
2.36mm Diameter, 2092133  
Standard .093" Pin  
and Socket PC Tail  
Terminal, Series  
1376, Male, with Tin/  
Lead (Sn/Pb) Plated  
Contact, With Detent,  
Bag Packaged  
2.36mm Diameter, 2092134  
Standard .093" Pin  
and Socket PC Tail  
Terminal, Series  
1376, Male, with Tin  
(Sn) Plated Contact,  
Without Detent, Bag  
Packaged  
2.36mm Diameter, 2092167  
Standard .093" Pin  
and Socket Crimp  
Terminal, Series  
4549, Male, with  
Tin (Sn) Plated  
Phosphor Bronze  
Contact, 14-20 AWG,  
Bag Packaged  
2.36mm Diameter, 2092171  
Standard .093" Pin  
and Socket Crimp  
Terminal, Series

1190, Male, with Tin  
(Sn) Plated Brass  
Contact, 14-18 AWG,  
Large Insulation  
Crimp, Bag  
2.36mm Diameter, 2095101  
Standard .093" Pin  
and Socket Crimp  
Terminal, Series  
1190, Male, with Tin  
(Sn) Plated Brass  
Contact, 14-20 AWG,  
Chain  
2.36mm Diameter, 2095106  
Standard .093" Pin  
and Socket Crimp  
Terminal, Series  
1189, Female, with  
Gold (Au) Plated  
Brass Contact, 14-20  
AWG, Bag  
2.36mm Diameter, 2095111  
Standard .093" Pin  
and Socket Crimp  
Terminal, Series  
1189, Female, with  
Selective Gold  
(Au) Plated Brass  
Contact, 14-20 AWG,  
Bag  
2.36mm Diameter, 2095132  
Standard .093" Pin  
and Socket PC Tail  
Terminal, Series  
1377, Female, with  
Gold (Au) Plated  
Contact, Bag  
2.36mm Diameter, 2095133  
Standard .093" Pin  
and Socket Crimp  
Terminal, Series  
1381, Female, with  
Selective Gold  
(Au) Plated Brass  
Contact, 18-22 AWG,  
Bag  
2.36mm Diameter, 2095142  
Standard .093" Pin  
and Socket Crimp  
Terminal, Series  
1381, Female, with  
Gold (Au) Plated  
Brass Contact, 18-22  
AWG, Bag  
2.36mm Diameter, 2095170  
Standard .093" Pin  
and Socket Crimp  
Terminal, Series  
4550, Female, with  
Gold (Au) Plated  
Phosphor Bronze  
Contact, 14-20 AWG,  
Bag  
2.36mm Diameter, 2096102  
Standard .093" Pin

and Socket Crimp  
Terminal, Series  
1189, Female, with  
Tin (Sn) Plated Brass  
Contact, 14-20 AWG,  
Reel

2.36mm Diameter, [2096106](#)

Standard .093" Pin  
and Socket Crimp  
Terminal, Series  
1190, Male, with  
Gold (Au) Plated  
Brass Contact, 14-20  
AWG, Bag

2.36mm Diameter, [2096110](#)

Standard .093" Pin  
and Socket Crimp  
Terminal, Series  
1190, Male, with  
Selective Gold  
(Au) Plated Brass  
Contact, 14-20 AWG,  
Bag

2.36mm Diameter, [2096123](#)

Standard .093" Pin  
and Socket Crimp  
Terminal, Series  
1380, Male, with  
Gold (Au) Plated  
Brass Contact, 18-22  
AWG, Bag

2.36mm Diameter, [2096126](#)

Standard .093" Pin  
and Socket Crimp  
Terminal, Series  
1380, Male, with  
Selective Gold  
(Au) Plated Brass  
Contact, 18-22 AWG,  
Bag

2.36mm Diameter, [2096132](#)

Standard .093"  
Pin and Socket  
PC Tail Terminal,  
Series 1376, Male,  
with Gold (Au)  
Plated Contact,  
Without Detent, Bag  
Packaged

2.36mm Diameter, [2098104](#)

Standard .093" Pin  
and Socket Crimp  
Grounding Terminal,  
Series 1973, Male,  
with Tin (Sn) Plated  
Brass Contact, 18-22  
AWG, Bag

2.36mm Diameter, [2098109](#)

Standard .093" Pin  
and Socket Crimp  
Grounding Terminal,  
Series 1973, Male,  
with Tin (Sn) Plated  
Brass Contact, 14-18  
AWG, Bag



Mini-Fit Jr.	<u>3044052</u>
Receptacle Housing, Single Row, 5 Circuits, UL 94V-2, Natural	
1.57mm Diameter	<u>3061011</u>
Standard .062" Pin and Socket Receptacle Housing, 1 Circuits, Natural	
1.57mm Diameter	<u>3061022</u>
Standard .062" Pin and Socket Receptacle Housing, 2 Circuits, with Pre- bent Mounting Ears, Natural	
1.57mm Diameter	<u>3061023</u>
Standard .062" Pin and Socket Receptacle Housing, 2 Circuits, without Mounting Ears, Natural	
1.57mm Diameter	<u>3061031</u>
Standard .062" Pin and Socket Receptacle Housing, 3 Circuits, with Standard Mounting Ears	
1.57mm Diameter	<u>3061032</u>
Standard .062" Pin and Socket Receptacle Housing, 3 Circuits, without Mounting Ears, Natural	
1.57mm Diameter	<u>3061038</u>
Standard .062" Pin and Socket Receptacle Housing, 3 Circuits, with Pre- bent Mounting Ears, Natural	
1.57mm Diameter	<u>3061041</u>
Standard .062" Pin and Socket Receptacle Housing, 4 Circuits, with Standard Mounting Ears	
1.57mm Diameter	<u>3061042</u>
Standard .062" Pin and Socket Receptacle Housing, 4 Circuits, without Mounting Ears, Natural	
1.57mm Diameter	<u>3061044</u>
Standard .062" Pin and Socket Receptacle Housing, Dual Row, without Mounting Ears, PA	

Polyamide Nylon 6/6,  
UL 94V-2, 4 Circuits,  
Natural

1.57mm Diameter    3061062  
Standard .062"

Pin and Socket  
Receptacle Housing,  
6 Circuits, without  
Mounting Ears,  
Natural

1.57mm Diameter    3061092  
Standard .062"

Pin and Socket  
Receptacle Housing,  
9 Circuits, without  
Mounting Ears,  
Natural

1.57mm Diameter    3061121  
Standard .062"

Pin and Socket  
Receptacle Housing,  
12 Circuits, with  
Standard Mounting  
Ears, Natural

1.57mm Diameter    3061122  
Standard .062"

Pin and Socket  
Receptacle Housing,  
12 Circuits, without  
Mounting Ears,  
Natural

1.57mm Diameter    3062011  
Standard .062" Pin

and Socket Plug  
Housing, 1 Circuits,  
Natural

1.57mm Diameter    3062023  
Standard .062" Pin

and Socket Plug  
Housing, 2 Circuits,  
without Mounting  
Ears, Natural

1.57mm Diameter    3062024  
Standard .062"

Pin and Socket  
Plug Housing, 2  
Circuits, with Pre-  
bent Mounting Ears,  
Natural

1.57mm Diameter    3062031  
Standard .062" Pin

and Socket Plug  
Housing, 3 Circuits,  
with Standard  
Mounting Ears,  
Natural

1.57mm Diameter    3062032  
Standard .062" Pin

and Socket Plug  
Housing, 3 Circuits,  
without Mounting  
Ears, Natural

1.57mm Diameter    3062033  
Standard .062"

Pin and Socket

Plug Housing, 3 Circuits, with Pre- bent Mounting Ears, Natural	
1.57mm Diameter Standard .062" Pin and Socket Plug Housing, 4 Circuits, with Standard Mounting Ears	<u>3062041</u>
1.57mm Diameter Standard .062" Pin and Socket Plug Housing, 4 Circuits, without Mounting Ears, Natural	<u>3062042</u>
1.57mm Diameter Standard .062" Pin and Socket Plug Housing, Dual Row, without Mounting Ears, PA Polyamide Nylon 6/6, UL 94V-2, 4 Circuits, Natural	<u>3062044</u>
1.57mm Diameter Standard .062" Pin and Socket Plug Housing, 6 Circuits, without Mounting Ears, Natural	<u>3062061</u>
1.57mm Diameter Standard .062" Pin and Socket Plug Housing, 9 Circuits, without Mounting Ears, Natural	<u>3062092</u>
1.57mm Diameter Standard .062" Pin and Socket Plug Housing, 12 Circuits, with Pre- bent Mounting Ears, Natural	<u>3062121</u>
1.57mm Diameter Standard .062" Pin and Socket Plug Housing, 12 Circuits, without Mounting Ears, Natural	<u>3062122</u>
1.57mm Diameter Standard .062" Pin and Socket Receptacle Housing, 2 Circuits, without Mounting Ears, Black	<u>3066023</u>
1.57mm Diameter Standard .062" Pin and Socket Receptacle Housing, 6 Circuits, without Mounting Ears, Black	<u>3066062</u>
1.57mm Diameter Standard .062" Pin and Socket Plug Housing, Black, 2	<u>3067023</u>

Circuits, without  
Mounting Ears, Black  
1.57mm Diameter 3067044  
Standard .062" Pin  
and Socket Plug  
Housing, Dual Row,  
without Mounting  
Ears, PA Polyamide  
Nylon 6/6, UL 94V-2,  
4 Circuits, Black  
1.57mm Diameter 3067061  
Standard .062" Pin  
and Socket Plug  
Housing, 6 Circuits,  
without Mounting  
Ears, Black  
2.36mm Diameter 3091011  
Standard .093"  
Pin and Socket  
Receptacle Housing,  
1 Circuit, Friction  
Lock, Natural  
2.36mm Diameter 3091022  
Standard .093"  
Pin and Socket  
Receptacle Housing,  
2 Circuits, without  
Mounting Ears, with  
Ramps, Natural  
2.36mm Diameter 3091027  
Standard .093"  
Pin and Socket  
Receptacle Housing,  
2 Circuits, with Pre-  
bent Mounting Ears,  
with Ramps, Natural  
2.36mm Diameter 3091030  
Standard Receptacle  
Housing, 3 Circuit,  
Natural  
2.36mm Diameter 3091031  
Standard .093"  
Pin and Socket  
Receptacle Housing,  
3 Circuits, Single  
Row, Natural  
2.36mm Diameter 3091032  
Standard .093"  
Pin and Socket  
Receptacle Housing,  
3 Circuits, Single  
Row, Natural  
2.36mm Diameter 3091033  
Standard .093"  
Pin and Socket  
Receptacle Housing,  
3 Circuits, Single  
Row, Free-Hanging,  
without Passive Lock  
Ramps, Natural  
2.36mm Diameter 3091041  
Standard .093"  
Pin and Socket  
Receptacle Housing,

4 Circuits, Single  
Row, Natural  
2.36mm Diameter 3091049  
Standard .093"  
Pin and Socket  
Receptacle Housing,  
4 Circuits, Dual Row,  
without Mounting  
Ears, Natural  
2.36mm Diameter 3091062  
Standard .093"  
Pin and Socket  
Receptacle Housing,  
6 Circuits, Dual Row,  
Natural  
2.36mm Diameter 3091063  
Standard .093"  
Pin and Socket  
Receptacle Housing,  
6 Circuits, Dual Row,  
without Panel Mount  
Ears, without Friction  
Lock Ramp  
2.36mm Diameter 3091064  
Standard .093"  
Pin and Socket  
Receptacle Housing,  
6 Circuits, Dual Row,  
Natural  
2.36mm Diameter 3091081  
Standard .093"  
Pin and Socket  
Receptacle Housing,  
3 Circuits, Single  
Row, Natural  
2.36mm Diameter 3091091  
Standard .093"  
Pin and Socket  
Receptacle  
Housings, 9 Circuits,  
3 Rows, Natural  
2.36mm Diameter 3091093  
Standard .093"  
Pin and Socket  
Receptacle  
Housings, 9 Circuits,  
3 Rows, without  
Panel Mount Ears,  
without Passive Lock  
Ramp  
2.36mm Diameter 3091094  
Standard .093"  
Pin and Socket  
Receptacle  
Housings, 9 Circuits,  
3 Rows, Natural  
2.36mm Diameter 3091121  
Standard .093"  
Pin and Socket  
Receptacle Housing,  
12 Circuits, 3 Rows,  
Panel Mountable,  
without Passive  
Locking Ramps

2.36mm Diameter 3091125  
Standard .093"  
Pin and Socket  
Receptacle Housing,  
12 Circuits, 3 Rows,  
Natural

2.36mm Diameter 3091126  
Standard .093"  
Pin and Socket  
Receptacle Housing,  
12 Circuits, 3 Rows,  
Natural

2.36mm Diameter 3091151  
Standard .093"  
Pin and Socket  
Receptacle Housing,  
15 Circuits, 3 Rows,  
with Pre-Bent  
Mounting Ears,  
without Lock Ramps

2.36mm Diameter 3091152  
Standard .093"  
Pin and Socket  
Receptacle Housing,  
15 Circuits, 3 Rows,  
without Mounting  
Ears, without Lock  
Ramps

2.36mm Diameter 3091153  
Standard .093"  
Pin and Socket  
Receptacle Housing,  
15 Circuits, 3 Rows,  
with Pre-bent  
Mounting Ears, with  
Lock Ramps

2.36mm Diameter 3091157  
Standard .093"  
Pin and Socket  
Receptacle Housing,  
15 Circuits, 3 Rows,  
without Mounting  
Ears, with Lock  
Ramps

2.36mm Diameter 3091161  
Standard .093"  
Pin and Socket  
Receptacle Housing  
without Mounting  
Ears, Positive Lock,  
2 Circuits

2.36mm Diameter 3092011  
Standard .093" Pin  
and Socket Plug  
Housing, 1 Circuit,  
Friction Lock, Natural

2.36mm Diameter 3092021  
Standard .093" Pin  
and Socket Plug  
Housing, 2 Circuits,  
with Standard  
Mounting Ears,  
Natural

2.36mm Diameter 3092022  
Standard .093" Pin

and Socket Plug Housing, 2 Circuits, without Mounting Ears, Natural 2.36mm Diameter Standard .093" Pin and Socket Plug	<u>3092031</u>
Housing, 3 Circuits, Single Row, Natural 2.36mm Diameter Standard .093" Pin and Socket Plug	<u>3092032</u>
Housing, 3 Circuits, Single Row, Natural 2.36mm Diameter Standard .093" Pin and Socket Plug	<u>3092041</u>
Housing, 4 Circuits, Single Row 2.36mm Diameter Standard .093" Pin and Socket Plug	<u>3092042</u>
Housing, 4 Circuits, Single Row 2.36mm Diameter Standard .093" Pin and Socket Plug	<u>3092049</u>
Housing, 4 Circuits, Dual Row, without Mounting Ears, Natural 2.36mm Diameter Standard .093" Pin and Socket Plug	<u>3092061</u>
Housing, 6 Circuits, Dual Row 2.36mm Diameter Standard .093" Pin and Socket Plug	<u>3092062</u>
Housing, 6 Circuits, Dual Row 2.36mm Diameter Standard .093" Pin and Socket Plug	<u>3092092</u>
Housings, 9 Circuits, 3 Rows 2.36mm Diameter Standard .093" Pin and Socket Plug	<u>3092121</u>
Housing, 12 Circuits, 3 Rows 2.36mm Diameter Standard .093" Pin and Socket Plug	<u>3092122</u>
Housing, 12 Circuits, 3 Rows 2.36mm Diameter Standard .093" Pin and Socket Plug	<u>3092151</u>
Housing, 15 Circuits, 3 Rows, without Mounting Ears, with Pull Tabs, without Lock Windows	

2.36mm Diameter Standard .093" Pin and Socket Plug Housing, 15 Circuits, 3 Rows, with Pre- Bent Mounting Ears, without Pull Tabs, with Lock Windows	<u>3092159</u>
2.36mm Diameter Standard .093" Pin and Socket Plug Housing without Mounting Ears, Positive Lock, 2 Circuits	<u>3092161</u>
2.36mm Diameter Standard .093" Pin and Socket Receptacle Housing, 2 Circuits, with Pre- bent Mounting Ears, with Ramps, Black	<u>3096021</u>
2.36mm Diameter Standard .093" Pin and Socket Plug Housing, 2 Circuits, without Mounting Ears, Black	<u>3097022</u>
2.36mm Diameter Standard .093" Pin and Socket Plug Housing, 2 Circuits, without Mounting Ears, Red	<u>3097024</u>
2.36mm Diameter Standard .093" Pin and Socket Plug Housing, 3 Circuits, Single Row, Black	<u>3097032</u>
3.18mm Diameter, HCS125, Pin and Socket Receptacle Housing, 2 Circuits, Single Row, with and without Panel Mount Ears	<u>3121022</u>
3.18mm Diameter, HCS125, Pin and Socket Receptacle Housing, Single Row, 2 Circuits, Natural (Translucent)	<u>3121026</u>
3.18mm Diameter, HCS125, Pin and Socket Receptacle Housing, Single Row, without Panel Mount Ears, 3 Circuits, Natural, Nylon 94V-2	<u>3121036</u>
3.18mm Diameter, HCS125, Pin and Socket Receptacle Housing, Single	<u>3121046</u>



Row, 4 Circuits,  
Natural (Translucent)  
3.18mm Diameter, [3122022](#)  
HCS125, Pin  
and Socket Plug  
Housing, 2 Circuits,  
Single Row, with and  
without Panel Mount  
Ears  
3.18mm Diameter, [3122025](#)  
HCS125, Pin  
and Socket Plug  
Housing, Single  
Row, with Panel  
Mount Ears, 2  
Circuits, Natural  
(Translucent)  
3.18mm Diameter, [3122026](#)  
HCS125, Pin  
and Socket Plug  
Housing, Single  
Row, without Panel  
Mount Ears, 2  
Circuits, Natural  
(Translucent)  
3.18mm Diameter, [3122035](#)  
HCS125, Pin  
and Socket Plug  
Housing, Single  
Row, with Panel  
Mount Ears, 3  
Circuits, Natural,  
Nylon 94V-2  
3.18mm Diameter, [3122036](#)  
HCS125, Pin  
and Socket Plug  
Housing, Single  
Row, without Panel  
Mount Ears, 3  
Circuits, Natural,  
Nylon 94V-2  
3.18mm Diameter, [3122045](#)  
HCS125, Pin  
and Socket Plug  
Housing, Single  
Row, with Panel  
Mount Ears, 4  
Circuits, Natural  
(Translucent)  
3.18mm Diameter, [3122046](#)  
HCS125, Pin  
and Socket Plug  
Housing, Single  
Row, without Panel  
Mount Ears, 4  
Circuits, Natural  
(Translucent)  
Flat Blade Appliance [6021103](#)  
Motor Switch Crimp  
Housing, 10 Circuits  
Flat Blade Appliance [6022030](#)  
Water Valve Crimp  
Housing, 3 Circuit,  
Natural

Flat Blade Appliance 6023042  
Defrost Timer Crimp  
Housing, 4 Circuit, 4  
Circuits

Flat Blade Appliance 6023103  
Motor Switch Crimp  
Housing, 10 Circuit,  
10 Circuits

Flat Blade Appliance 6023104  
Dryer Motor Crimp  
Housing, 10 Circuit

KK Crimp Terminal, 8300109  
Series 1799, Female,  
with Tin (Sn) Plated  
Brass Contact, 18-24  
AWG, Chain on Reel

KK 396 Crimp 8500008  
Terminal 8818, 18-22  
AWG, Reel, Brass  
Tin (Sn)

KK 254 Cat Ear 8500032  
Crimp Terminal  
4809, 22-30 AWG,  
Hot Tin Dip, Bag

KK 396 Crimp 8500106  
Terminal 2478, 18-24  
AWG, Bag, Brass Tin  
(Sn)

KK 396 Crimp 8500108  
Terminal 2578, 22-26  
AWG, Bag, Brass,  
2.540 $\mu$ m Tin (Sn)

KK Crimp Terminal, 8500110  
Series 2477,  
Humpback, with Tin  
(Sn) Plated Brass  
Contact, 18-24 AWG,  
Loose

KK 156 TERMINAL 8500112  
CRIMP 22-26 AWG  
TIN

KK 254 Crimp 8500114  
Terminal, 22-30  
AWG, Bag, Hot Tin  
(Sn) Dip Plating

KK 396 Crimp 8500120  
Terminal 2478, 18-24  
AWG, Bag, Brass,  
3.8 $\mu$ m Tin (Sn)

KK 396 Crimp 8500134  
Terminal 2578,  
22-26 AWG, Bag,  
Phosphor Bronze,  
2.540 $\mu$ m Tin(Sn)

KK 254 Crimp 8500136  
Terminal 4809, 22-30  
AWG, Tin, Bag

KK 254 Crimp 8500160  
Terminal, 22-30  
AWG, Bag, Tin (Sn)  
Plating, Nickel (Ni)  
Under Plating

KK 396 Crimp 8520072  
Terminal 2478,  
18-24 AWG, Bag,

Phosphor Bronze, Tin (Sn)	
KK .100 CRIMP TERMINAL 100MI MATTE TIN	<u>8520118</u>
KK 254 Crimp Terminal 6459, 22-30 AWG, Bag, Phosphor Bronze Tin (Sn)	<u>8520123</u>
3.96mm Pitch KK Crimp Terminal 2878, 18-20 AWG, Bag, Phosphor Bronze, Tin (Sn), Bifurcated	<u>8520127</u>
KK 396 Crimp Terminal 8818, 18-22 AWG, Reel, Phosphor Bronze Tin (Sn)	<u>8520131</u>
KK 396 Crimp Terminal 8818, 18-22 AWG, Bag, Phosphor Bronze Tin (Sn)	<u>8520132</u>
KK 396 Crimp Terminal 2478, 18-24 AWG, Bag, Phosphor Bronze, 5.0µm Tin (Sn)	<u>8520812</u>
KK 156 TERMINAL CRIMP 18-24 AWG	<u>8530811</u>
KK CRIMP TERM UNPLT LSE PB2478999L	<u>8530812</u>
KK 254 Crimp Terminal, 22-30 AWG, Bag, Selective Gold (Au), Nickel (Ni) Under Plating	<u>8550102</u>
KK 396 Crimp Terminal 2478, 18-24 AWG, Bag, Brass, 0.38µm Selective Gold (Au)	<u>8550104</u>
KK 396 Crimp Terminal 2578, 22-26 AWG, Bag, Brass, 0.38µm Selective Gold(Au)	<u>8550106</u>
KK 254 Crimp Terminal 4809, 22-30 AWG, Selective Gold (Au), Bag	<u>8550111</u>
KK 254 Cat Ear Crimp Terminal 4809, 22-30 AWG, Selective Gold, Reel	<u>8550112</u>
KK High Pressure Crimp Terminal 7879, 22-30 AWG, Bag Selective Gold (Au)	<u>8550129</u>

KK 254 Crimp Terminal, 22-30 AWG, Bag, Selective Gold (Au), Nickel (Ni) Under Plating	<u>8550131</u>
KK 396 Crimp Terminal 2578, 22-26 AWG, Left Payoff Reel, Brass, 0.76µm Select Gold (Au) over Gold Flash	<u>8550137</u>
KK 396 Crimp Terminal 2478, 18-24 AWG, Bag, Brass, 0.51µm Selective Gold (Au)	<u>8560106</u>
KK 396 Crimp Terminal 2578, 22-26 AWG, Bag, Brass, 0.51µm Select Gold (Au) over Gold Flash	<u>8560108</u>
KK Crimp Terminal, Series 2477, Humpback, with Overall Gold (Au) Plated Brass Contact, 18-24 AWG, Loose	<u>8560114</u>
KK 156 TERMINAL CRIMP 18-24 AWG GOLD	<u>8580104</u>
KK 396 Crimp Terminal 2478, 18-24 AWG, Bag, Phosphor Bronze, 0.76µm Gold (Au)	<u>8580115</u>
KK 396 Crimp Terminal 2478, 18-24 AWG, Bag, Phosphor Bronze, 0.51µm Selective Gold (Au)	<u>8580122</u>
KK 396 Crimp Terminal 2578, 22-26 AWG, Bag, Phosphor Bronze, 0.51µm Selective Gold (Au)	<u>8580126</u>
KK 396 Crimp Terminal 8818, 18-22 AWG, Reel, Phosphor Bronze Selective Gold (Au)	<u>8580135</u>
KK 396 Crimp Terminal 8818, 18-22 AWG, Bag, Phosphor Bronze Selective Gold (Au)	<u>8580136</u>
KK 396 Crimp Terminal 2578, 22-26 AWG, Bag, Phosphor Bronze, 3.810µm Tin (Sn)	<u>8600004</u>
KK 396 Crimp Terminal 2478,	<u>8650115</u>

18-24 AWG, Bag, Phosphor Bronze, 0.38µm Selective Gold (Au)	
KK 396 Crimp Terminal 2578, 22-26 AWG, Bag, Phosphor Bronze, 0.38µm Selective Gold (Au)	<u>8650117</u>
3.96mm Pitch KK Crimp Terminal 2878, 18-20 AWG, Bag, Phosphor Bronze, 0.38µm Selective Gold (Au), Bifurcated	<u>8650119</u>
KK 396 Crimp Terminal 8818, 18-22 AWG, Reel, Phosphor Bronze Selective Gold (Au)	<u>8650128</u>
KK 396 Crimp Terminal 8818, 18-22 AWG, Bag, Phosphor Bronze Selective Gold (Au)	<u>8650129</u>
KK 100 Crp Term Std 22-30 Awg SGold	<u>8650801</u>
KK 254 Cat Ear Crimp Terminal 41572, Bag Tin (Sn)	<u>8650805</u>
KK 100 Crp Term Std 22-30 Awg SGold	<u>8650812</u>
KK 254 Crimp Terminal 6459, 22-30 AWG, Bag, Phosphor Bronze Selective Gold (Au)	<u>8650816</u>
KK 100 Crp Term Std 22-30 Awg SGold	<u>8650817</u>
KK Cat Ear Crimp Terminal 5159, 22-28 AWG, Bag, Phosphor Bronze, Tin (Sn) Plating	<u>8700049</u>
KK Cat Ear Crimp Terminal 5159, 22-28 AWG, Bag, Brass, Tin (Sn) over Copper Plating	<u>8700069</u>
2.50mm Pitch Mini-Latch Crimp Terminal, Male, Brass, Bag	<u>8700103</u>
SPOX Crimp Terminal, 18-24 AWG, Brass, Bag	<u>8701030</u>
2.50mm Pitch Mini-SPOX Crimp Terminal, 22-28 AWG, Bag	<u>8701040</u>

3.96mm Pitch KK 9011036  
Crimp Housing, Edge  
Card Connector,  
Single-Sided,  
Polarized, Positive  
Lock, with Probe  
Hole, 3 Circuits  
.156 IDT ASSEMBLY9072031  
724103L  
KK 396 PC Board 9481024  
Connector, Right  
Angle, Polyester  
Connector, 5.00µm  
Tin (Sn), 2 Circuits  
KK 396 PC Board 9481034  
Connector, Right  
Angle, Polyester  
Connector, 5.00µm  
Tin (Sn), 3 Circuits  
KK 396 PC Board 9481044  
Connector, Right  
Angle, Polyester  
Connector, 5.00µm  
Tin (Sn), 4 Circuits  
KK 396 PC Board 9481054  
Connector, Right  
Angle, Polyester  
Connector, 5.00µm  
Tin (Sn), 5 Circuits  
KK 396 PC Board 9481064  
Connector, Right  
Angle, Polyester  
Connector, 5.00µm  
Tin (Sn), 6 Circuits  
KK 396 PC Board 9481074  
Connector, Right  
Angle, Polyester  
Connector, 5.00µm  
Tin (Sn), 7 Circuits  
KK 396 PC Board 9481084  
Connector, Right  
Angle, Polyester  
Connector, 5.00µm  
Tin (Sn), 8 Circuits  
KK 396 PC Board 9481094  
Connector, Right  
Angle, Polyester  
Connector, 5.00µm  
Tin (Sn), 9 Circuits  
KK 396 PC Board 9481104  
Connector, Right  
Angle, Polyester  
Connector, 5.00µm  
Tin (Sn), 10 Circuits  
KK 396 PC Board 9481105  
Connector, Top  
Entry, Polyester  
Connector, Gold (Au)  
Selective, 10 Circuits  
KK 396 PC Board 9481114  
Connector, Right  
Angle, Polyester  
Connector, 5.00µm  
Tin (Sn), 11 Circuits

KK 396 PC Board 9481124  
Connector, Right  
Angle, Polyester  
Connector, 5.00µm  
Tin (Sn), 12 Circuits  
KK 396 PC Board 9481134  
Connector, Right  
Angle, Polyester  
Connector, 5.00µm  
Tin (Sn), 13 Circuits  
KK 396 PC Board 9481144  
Connector, Right  
Angle, Polyester  
Connector, 5.00µm  
Tin (Sn), 14 Circuits  
KK 396 PC Board 9481154  
Connector, Right  
Angle, Polyester  
Connector, 5.00µm  
Tin (Sn), 15 Circuits  
KK 396 PC Board 9483024  
Connector, Bottom  
Entry, Polyester  
Connector, Gold (Au)  
Selective, 2 Circuits  
KK 396 PC Board 9483025  
Connector, Right  
Angle, Polyester  
Connector, Gold (Au)  
Selective, 2 Circuits  
KK 396 PC Board 9483026  
Connector, Top  
Entry, Polyester  
Connector, Gold (Au)  
Selective, 2 Circuits  
KK 396 PC Board 9483034  
Connector, Bottom  
Entry, Polyester  
Connector, Gold (Au)  
Selective, 3 Circuits  
KK 396 PC Board 9483035  
Connector, Right  
Angle, Polyester  
Connector, Gold (Au)  
Selective, 3 Circuits  
KK 396 PC Board 9483036  
Connector, Top  
Entry, Polyester  
Connector, Gold (Au)  
Selective, 3 Circuits  
KK 396 PC Board 9483044  
Connector, Bottom  
Entry, Polyester  
Connector, Gold (Au)  
Selective, 4 Circuits  
KK 396 PC Board 9483045  
Connector, Right-  
Angle, Polyester  
Connector, Gold (Au)  
Selective, 4 Circuits  
KK 396 PC Board 9483046  
Connector, Top  
Entry, Polyester  
Connector, Gold (Au)  
Selective, 4 Circuits

KK 396 PC Board 9483054  
Connector, Bottom  
Entry, Polyester  
Connector, Gold (Au)  
Selective, 5 Circuits  
KK 396 PC Board 9483055  
Connector, Right-  
Angle, Polyester  
Connector, Gold (Au)  
Selective, 5 Circuits  
KK 396 PC Board 9483056  
Connector, Top  
Entry, Polyester  
Connector, Gold (Au)  
Selective, 5 Circuits  
KK 396 PC Board 9483064  
Connector, Bottom  
Entry, Polyester  
Connector, Gold (Au)  
Selective, 6 Circuits  
KK 396 PC Board 9483065  
Connector, Right-  
Angle, Polyester  
Connector, Gold (Au)  
Selective, 6 Circuits  
KK 396 PC Board 9483066  
Connector, Top  
Entry, Polyester  
Connector, Gold (Au)  
Selective, 6 Circuits  
KK 396 PC Board 9483074  
Connector, Bottom  
Entry, Polyester  
Connector, Gold (Au)  
Selective, 7 Circuits  
KK 396 PC Board 9483075  
Connector, Right-  
Angle, Polyester  
Connector, Gold (Au)  
Selective, 7 Circuits  
KK 396 PC Board 9483076  
Connector, Top  
Entry, Polyester  
Connector, Gold (Au)  
Selective, 7 Circuits  
KK 396 PC Board 9483084  
Connector, Bottom  
Entry, Polyester  
Connector, Gold (Au)  
Selective, 8 Circuits  
KK 396 PC Board 9483085  
Connector, Right-  
Angle, Polyester  
Connector, Gold (Au)  
Selective, 8 Circuits  
KK 396 PC Board 9483086  
Connector, Top  
Entry, Polyester  
Connector, Gold (Au)  
Selective, 8 Circuits  
KK 396 PC Board 9483094  
Connector, Bottom  
Entry, Polyester  
Connector, Gold (Au)  
Selective, 9 Circuits



KK 396 PC Board 9483095  
Connector, Right-  
Angle, Polyester  
Connector, Gold (Au)  
Selective, 9 Circuits

KK 396 PC Board 9483096  
Connector, Top  
Entry, Polyester  
Connector, Gold (Au)  
Selective, 9 Circuits

KK 396 PC Board 9483104  
Connector, Bottom  
Entry, Polyester  
Connector, Gold (Au)  
Selective, 10 Circuits

KK 396 PC Board 9483105  
Connector, Right-  
Angle, Polyester  
Connector, Gold (Au)  
Selective, 10 Circuits

KK 396 PC Board 9483106  
Connector, Top  
Entry, Polyester  
Connector, Gold (Au)  
Selective, 10 Circuits

KK 396 PC Board 9483114  
Connector, Bottom  
Entry, Polyester  
Connector, Gold (Au)  
Selective, 11 Circuits

KK 396 PC Board 9483115  
Connector, Right-  
Angle, Polyester  
Connector, Gold (Au)  
Selective, 11 Circuits

KK 396 PC Board 9483116  
Connector, Top  
Entry, Polyester  
Connector, Gold (Au)  
Selective, 11 Circuits

KK 396 PC Board 9483124  
Connector, Bottom  
Entry, Polyester  
Connector, Gold (Au)  
Selective, 12 Circuits

KK 396 PC Board 9483125  
Connector, Right-  
Angle, Polyester  
Connector, Gold (Au)  
Selective, 12 Circuits

KK 396 PC Board 9483126  
Connector, Top  
Entry, Polyester  
Connector, Gold (Au)  
Selective, 12 Circuits

KK 396 PC Board 9483134  
Connector, Bottom  
Entry, Polyester  
Connector, Gold (Au)  
Selective, 13 Circuits

KK 396 PC Board 9483135  
Connector, Right-  
Angle, Polyester  
Connector, Gold (Au)  
Selective, 13 Circuits

KK 396 PC Board 9483136  
Connector, Top  
Entry, Polyester  
Connector, Gold (Au)  
Selective, 13 Circuits  
KK 396 PC Board 9483144  
Connector, Bottom  
Entry, Polyester  
Connector, Gold (Au)  
Selective, 14 Circuits  
KK 396 PC Board 9483145  
Connector, Right-  
Angle, Polyester  
Connector, Gold (Au)  
Selective, 14 Circuits  
KK 396 PC Board 9483146  
Connector, Top  
Entry, Polyester  
Connector, Gold (Au)  
Selective, 14 Circuits  
KK 396 PC Board 9483154  
Connector, Bottom  
Entry, Polyester  
Connector, Gold (Au)  
Selective, 15 Circuits  
KK 396 PC Board 9483155  
Connector, Right-  
Angle, Polyester  
Connector, Gold (Au)  
Selective, 15 Circuits  
KK 396 PC Board 9483156  
Connector, Top  
Entry, Polyester  
Connector, Gold (Au)  
Selective, 15 Circuits  
KK 396 PC Board 9484028  
Connector, Top  
Entry, Polyester  
Connector, 5.00µm  
Tin (Sn), 2 Circuits  
KK 396 PC Board 9484029  
Connector, Bottom  
Entry, Polyester  
Connector, 5.00µm  
Tin (Sn), 2 Circuits  
KK 396 PC Board 9484038  
Connector, Top  
Entry, Polyester  
Connector, 5.00µm  
Tin (Sn), 3 Circuits  
KK 396 PC Board 9484039  
Connector, Bottom  
Entry, Polyester  
Connector, 5.00µm  
Tin (Sn), 3 Circuits  
KK 396 PC Board 9484048  
Connector, Top  
Entry, Polyester  
Connector, 5.00µm  
Tin (Sn), 4 Circuits  
KK 396 PC Board 9484049  
Connector, Bottom  
Entry, Polyester  
Connector, 5.00µm  
Tin (Sn), 4 Circuits

KK 396 PC Board Connector, Top Entry, Polyester Connector, 5.00µm Tin (Sn), 5 Circuits	<u>9484058</u>
KK 396 PC Board Connector, Bottom Entry, Polyester Connector, 5.00µm Tin (Sn), 5 Circuits	<u>9484059</u>
KK 396 PC Board Connector, Top Entry, Polyester Connector, 5.00µm Tin (Sn), 6 Circuits	<u>9484068</u>
KK 396 PC Board Connector, Bottom Entry, Polyester Connector, 5.00µm Tin (Sn), 6 Circuits	<u>9484069</u>
KK 396 PC Board Connector, Top Entry, Polyester Connector, 5.00µm Tin (Sn), 7 Circuits	<u>9484078</u>
KK 396 PC Board Connector, Bottom Entry, Polyester Connector, 5.00µm Tin (Sn), 7 Circuits	<u>9484079</u>
KK 396 PC Board Connector, Top Entry, Polyester Connector, 5.00µm Tin (Sn), 7 Circuits	<u>9484088</u>
KK 396 PC Board Connector, Bottom Entry, Polyester Connector, 5.00µm Tin (Sn), 8 Circuits	<u>9484089</u>
KK 396 PC Board Connector, Top Entry, Polyester Connector, 5.00µm Tin (Sn), 8 Circuits	<u>9484098</u>
KK 396 PC Board Connector, Bottom Entry, Polyester Connector, 5.00µm Tin (Sn), 9 Circuits	<u>9484099</u>
KK 396 PC Board Connector, Top Entry, Polyester Connector, 5.00µm Tin (Sn), 9 Circuits	<u>9484108</u>
KK 396 PC Board Connector, Bottom Entry, Polyester Connector, 5.00µm Tin (Sn), 10 Circuits	<u>9484109</u>
KK 396 PC Board Connector, Bottom Entry, Polyester Connector, 5.00µm Tin (Sn), 11 Circuits	<u>9484119</u>

KK 396 PC Board 9484128  
Connector, Top  
Entry, Polyester  
Connector, 5.00µm  
Tin (Sn), 12 Circuits

KK 396 PC Board 9484129  
Connector, Bottom  
Entry, Polyester  
Connector, 5.00µm  
Tin (Sn), 12 Circuits

KK 396 PC Board 9484138  
Connector, Top  
Entry, Polyester  
Connector, 5.00µm  
Tin (Sn), 13 Circuits

KK 396 PC Board 9484139  
Connector, Bottom  
Entry, Polyester  
Connector, 5.00µm  
Tin (Sn), 13 Circuits

KK 396 PC Board 9484148  
Connector, Top  
Entry, Polyester  
Connector, 5.00µm  
Tin (Sn), 14 Circuits

KK 396 PC Board 9484149  
Connector, Bottom  
Entry, Polyester  
Connector, 5.00µm  
Tin (Sn), 14 Circuits

KK 396 PC Board 9484158  
Connector, Top  
Entry, Polyester  
Connector, 5.00µm  
Tin (Sn), 15 Circuits

KK 396 PC Board 9484159  
Connector, Bottom  
Entry, Polyester  
Connector, 5.00µm  
Tin (Sn), 15 Circuits

KK 156 PC Board 9485088  
Connector, Top  
Entry, Polyester  
Connector, Tin (Sn),  
8 Circuits

3.96mm Pitch SPOX 9501021  
Crimp Housing,  
Female, with Friction  
Ramp, 2 Circuits,  
Natural

3.96mm Pitch SPOX 9501023  
Crimp Housing,  
Female, with Friction  
Ramp and Void, 2  
Circuits, Natural

3.96mm Pitch SPOX 9501031  
Crimp Housing,  
Female, with Friction  
Ramp, 3 Circuits,  
Natural

3.96mm Pitch SPOX 9501033  
Crimp Housing,  
Female, with Friction  
Ramp and Void, 3  
Circuits, Natural

3.96mm Pitch SPOX [9501041](#)  
Crimp Housing,  
Female, with Friction  
Ramp, 4 Circuits,  
Natural

3.96mm Pitch SPOX [9501043](#)  
Crimp Housing,  
Female, with Friction  
Ramp and Void, 4  
Circuits, Natural

3.96mm Pitch SPOX [9501051](#)  
Crimp Housing,  
Female, with Friction  
Ramp, 5 Circuits,  
Natural

3.96mm Pitch SPOX [9501053](#)  
Crimp Housing,  
Female, with Friction  
Ramp and Void, 5  
Circuits, Natural

3.96mm Pitch SPOX [9501061](#)  
Crimp Housing,  
Female, with Friction  
Ramp, 6 Circuits,  
Natural

3.96mm Pitch SPOX [9501063](#)  
Crimp Housing,  
Female, with Friction  
Ramp and Void, 6  
Circuits, Natural

3.96mm Pitch SPOX [9501071](#)  
Crimp Housing,  
Female, with Friction  
Ramp, 7 Circuits,  
Natural

3.96mm Pitch SPOX [9501073](#)  
Crimp Housing,  
Female, with Friction  
Ramp and Void, 7  
Circuits, Natural

3.96mm Pitch SPOX [9501081](#)  
Crimp Housing,  
Female, with Friction  
Ramp, 8 Circuits,  
Natural

3.96mm Pitch SPOX [9501083](#)  
Crimp Housing,  
Female, with Friction  
Ramp and Void, 8  
Circuits, Natural

3.96mm Pitch SPOX [9501091](#)  
Crimp Housing,  
Female, with Friction  
Ramp, 9 Circuits,  
Natural

3.96mm Pitch SPOX [9501101](#)  
Crimp Housing,  
Female, with Friction  
Ramp, 10 Circuits,  
Natural

3.96mm Pitch SPOX [9501103](#)  
Crimp Housing,  
Female, with Friction  
Ramp and Void, 10  
Circuits, Natural

3.96mm Pitch SPOX [9501111](#)  
Crimp Housing,  
Female, with Friction  
Ramp, 11 Circuits,  
Natural

3.96mm Pitch SPOX [9501113](#)  
Crimp Housing,  
Female, with Friction  
Ramp and Void, 11  
Circuits, Natural

3.96mm Pitch SPOX [9501121](#)  
Crimp Housing,  
Female, with Friction  
Ramp, 12 Circuits,  
Natural

KK 3.96mm Crimp [9503021](#)  
Terminal Housing,  
Friction Ramp, 2  
Circuits, Natural

KK 3.96mm Crimp [9503031](#)  
Terminal Housing,  
Friction Ramp, 3  
Circuits, Natural

KK 3.96mm Crimp [9503041](#)  
Terminal Housing,  
Friction Ramp, 4  
Circuits, Natural

KK 3.96mm Crimp [9503051](#)  
Terminal Housing,  
Friction Ramp, 5  
Circuits, Natural

KK 3.96mm Crimp [9503061](#)  
Terminal Housing,  
Friction Ramp, 6  
Circuits, Natural

KK 3.96mm Crimp [9503071](#)  
Terminal Housing,  
Friction Ramp, 7  
Circuits, Natural

KK 3.96mm Crimp [9503081](#)  
Terminal Housing,  
Friction Ramp, 8  
Circuits, Natural

KK 3.96mm Crimp [9503091](#)  
Terminal Housing,  
Friction Ramp, 9  
Circuits, Natural

KK 3.96mm Crimp [9503101](#)  
Terminal Housing,  
Friction Ramp, 10  
Circuits, Natural

KK 3.96mm Crimp [9503111](#)  
Terminal Housing,  
Friction Ramp, 11  
Circuits, Natural

KK 3.96mm Crimp [9503121](#)  
Terminal Housing,  
Friction Ramp, 12  
Circuits, Natural

KK 3.96mm Crimp [9503131](#)  
Terminal Housing,  
Friction Ramp, 13  
Circuits, Natural

KK 3.96mm Crimp [9503141](#)  
Terminal Housing,

Friction Ramp, 14 Circuits, Natural KK 3.96mm Crimp Terminal Housing,	<u>9503151</u>
Friction Ramp, 15 Circuits, Natural KK 3.96mm Crimp Terminal Housing,	<u>9503161</u>
Friction Ramp, 16 Circuits, Natural KK 3.96mm Crimp Terminal Housing,	<u>9503171</u>
Friction Ramp, 17 Circuits, Natural KK 3.96mm Crimp Terminal Housing,	<u>9503181</u>
Friction Ramp, 18 Circuits, Natural KK 3.96mm Crimp Terminal Housing,	<u>9503191</u>
Friction Ramp, 19 Circuits, Natural KK 3.96mm Crimp Terminal Housing,	<u>9503201</u>
Friction Ramp, 20 Circuits, Natural KK 3.96mm Crimp Terminal Housing,	<u>9503211</u>
Friction Ramp, 21 Circuits, Natural KK 3.96mm Crimp Terminal Housing,	<u>9503221</u>
Friction Ramp, 22 Circuits, Natural KK 3.96mm Crimp Terminal Housing,	<u>9503231</u>
Friction Ramp, 23 Circuits, Natural KK 3.96mm Crimp Terminal Housing,	<u>9503241</u>
Friction Ramp, 24 Circuits, Natural KK 3.96mm Crimp Terminal Housing, 2	<u>9507021</u>
Circuits, Natural KK 3.96mm Crimp Terminal Housing, 4	<u>9507041</u>
Circuits, Natural KK 3.96mm Crimp Terminal Housing, 5	<u>9507051</u>
Circuits, Natural KK 3.96mm Crimp Terminal Housing, 6	<u>9507061</u>
Circuits, Natural KK 3.96mm Crimp Terminal Housing, 8	<u>9507081</u>
Circuits, Natural KK 3.96mm Crimp Terminal Housing, 9	<u>9507091</u>
Circuits, Natural KK 3.96mm Crimp Terminal Housing, 10	<u>9507101</u>
Circuits, Natural	

KK 3.96mm Crimp 9507121  
Terminal Housing, 12  
Circuits, Natural  
KK 3.96mm Crimp 9507131  
Terminal Housing, 13  
Circuits, Natural  
KK 3.96mm Crimp 9507141  
Terminal Housing, 14  
Circuits, Natural  
KK 3.96mm Crimp 9507151  
Terminal Housing, 15  
Circuits, Natural  
KK 3.96mm Crimp 9507161  
Terminal Housing, 16  
Circuits, Natural  
KK 3.96mm Crimp 9507171  
Terminal Housing, 17  
Circuits, Natural  
KK 3.96mm Crimp 9507181  
Terminal Housing, 18  
Circuits, Natural  
KK 3.96mm Crimp 9507191  
Terminal Housing, 19  
Circuits, Natural  
KK 3.96mm Crimp 9507201  
Terminal Housing, 20  
Circuits, Natural  
KK 3.96mm Crimp 9507211  
Terminal Housing, 21  
Circuits, Natural  
KK 3.96mm Crimp 9507231  
Terminal Housing, 23  
Circuits, Natural  
KK 3.96mm Crimp 9507241  
Terminal Housing, 24  
Circuits, Natural  
KK 3.96mm Crimp 9508020  
Terminal Housing, 2  
Circuits, Natural  
KK 3.96mm Crimp 9508021  
Terminal Housing,  
Friction Ramp, 2  
Circuits, Natural  
KK 3.96mm Crimp 9508023  
Terminal Housing,  
Friction Ramp, 2  
Circuits, Natural  
KK 3.96mm Crimp 9508030  
Terminal Housing, 3  
Circuits, Natural  
KK 3.96mm Crimp 9508031  
Terminal Housing,  
Friction Ramp, 3  
Circuits, Natural  
KK 3.96mm Crimp 9508033  
Terminal Housing,  
Friction Ramp, 3  
Circuits, Natural  
KK 3.96mm Crimp 9508040  
Terminal Housing, 4  
Circuits, Natural  
KK 3.96mm Crimp 9508041  
Terminal Housing,  
Friction Ramp, 4  
Circuits, Natural



KK 3.96mm Crimp Terminal Housing, Friction Ramp, 4 Circuits, Natural	<u>9508043</u>
KK 3.96mm Crimp Terminal Housing, 5 Circuits, Natural	<u>9508050</u>
KK 3.96mm Crimp Terminal Housing, Friction Ramp, 5 Circuits, Natural	<u>9508051</u>
KK 3.96mm Crimp Terminal Housing, Friction Ramp, 5 Circuits, Natural	<u>9508053</u>
KK 3.96mm Crimp Terminal Housing, 6 Circuits, Natural	<u>9508060</u>
KK 3.96mm Crimp Terminal Housing, Friction Ramp, 6 Circuits, Natural	<u>9508061</u>
KK 3.96mm Crimp Terminal Housing, Friction Ramp, 6 Circuits, Natural	<u>9508063</u>
KK 3.96mm Crimp Terminal Housing, 7 Circuits, Natural	<u>9508070</u>
KK 3.96mm Crimp Terminal Housing, Friction Ramp, 7 Circuits, Natural	<u>9508071</u>
KK 3.96mm Crimp Terminal Housing, 8 Circuits, Natural	<u>9508080</u>
KK 3.96mm Crimp Terminal Housing, Friction Ramp, 8 Circuits, Natural	<u>9508081</u>
KK 3.96mm Crimp Terminal Housing, Friction Ramp, 8 Circuits, Natural	<u>9508083</u>
KK 3.96mm Crimp Terminal Housing, 9 Circuits, Natural	<u>9508090</u>
KK 3.96mm Crimp Terminal Housing, Friction Ramp, 9 Circuits, Natural	<u>9508091</u>
KK 3.96mm Crimp Terminal Housing, Friction Ramp, 9 Circuits, Natural	<u>9508093</u>
KK 3.96mm Crimp Terminal Housing, 10 Circuits, Natural	<u>9508100</u>
KK 3.96mm Crimp Terminal Housing, Friction Ramp, 10 Circuits, Natural	<u>9508101</u>
KK 3.96mm Crimp Terminal Housing,	<u>9508103</u>

Friction Ramp, 10  
Circuits, Natural  
KK 3.96mm Crimp 9508110  
Terminal Housing, 11  
Circuits, Natural  
KK 3.96mm Crimp 9508111  
Terminal Housing,  
Friction Ramp, 11  
Circuits, Natural  
KK 3.96mm Crimp 9508113  
Terminal Housing,  
Friction Ramp, 11  
Circuits, Natural  
KK 3.96mm Crimp 9508120  
Terminal Housing, 12  
Circuits, Natural  
KK 3.96mm Crimp 9508121  
Terminal Housing,  
Friction Ramp, 12  
Circuits, Natural  
KK 3.96mm Crimp 9508123  
Terminal Housing,  
Friction Ramp, 12  
Circuits, Natural  
KK 3.96mm Crimp 9508131  
Terminal Housing,  
Friction Ramp, 13  
Circuits, Natural  
KK 3.96mm Crimp 9508133  
Terminal Housing,  
Friction Ramp, 13  
Circuits, Natural  
KK 3.96mm Crimp 9508141  
Terminal Housing,  
Friction Ramp, 14  
Circuits, Natural  
KK 3.96mm Crimp 9508143  
Terminal Housing,  
Friction Ramp, 14  
Circuits, Natural  
SPOX and KK 9652028  
396 Wire-to-Board  
Header, Vertical,  
with Friction Lock, 2  
Circuits  
SPOX and KK 9652038  
396 Wire-to-Board  
Header, Vertical,  
with Friction Lock, 3  
Circuits  
SPOX and KK 9652048  
396 Wire-to-Board  
Header, Vertical,  
with Friction Lock, 4  
Circuits  
SPOX and KK 9652058  
396 Wire-to-Board  
Header, Vertical,  
with Friction Lock, 5  
Circuits  
SPOX and KK 9652068  
396 Wire-to-Board  
Header, Vertical,  
with Friction Lock, 6  
Circuits

SPOX and KK 396 Wire-to-Board Header, Vertical, with Friction Lock, 7 Circuits	<u>9652078</u>
SPOX and KK 396 Wire-to-Board Header, Vertical, with Friction Lock, 8 Circuits	<u>9652088</u>
KK 3.96mm Crimp Terminal Housing, Friction Ramp, 2 Circuits, Glow-Wire Capable	<u>9930200</u>
KK 3.96mm Crimp Terminal Housing, Friction Ramp, 3 Circuits, Glow-Wire Capable	<u>9930300</u>
KK 3.96mm Crimp Terminal Housing, Friction Ramp, 4 Circuits, Glow-Wire Capable	<u>9930400</u>
KK 3.96mm Crimp Terminal Housing, Friction Ramp, 5 Circuits, Glow-Wire Capable	<u>9930500</u>
KK 3.96mm Crimp Terminal Housing, Friction Ramp, 6 Circuits, Glow-Wire Capable	<u>9930600</u>
KK 3.96mm Crimp Terminal Housing, Friction Ramp, 7 Circuits, Glow-Wire Capable	<u>9930700</u>
KK 3.96mm Crimp Terminal Housing, Friction Ramp, 8 Circuits, Glow-Wire Capable	<u>9930800</u>
KK 3.96mm Crimp Terminal Housing, Friction Ramp, 9 Circuits, Glow-Wire Capable	<u>9930900</u>
KK 3.96mm Crimp Terminal Housing, Friction Ramp, 10 Circuits, Glow-Wire Capable	<u>9931000</u>
KK 3.96mm Crimp Terminal Housing, Friction Ramp, 11 Circuits, Glow-Wire Capable	<u>9931100</u>
KK 3.96mm Crimp Terminal Housing, Friction Ramp, 13 Circuits, Glow-Wire Capable	<u>9931300</u>

KK 3.96mm Crimp Terminal Housing, Friction Ramp, 14 Circuits, Glow-Wire Capable	<u>9931400</u>
KK 3.96mm Crimp Terminal Housing, Friction Ramp, 15 Circuits, Glow-Wire Capable	<u>9931500</u>
15 PIN MICRO-D FEMAL ASSY M8351309B11	<u>10008503</u>
5.08mm Pitch KK Crimp Terminal Housing, 2 Circuits, Natural	<u>10011024</u>
5.08mm Pitch KK Crimp Terminal Housing, 3 Circuits, Natural	<u>10011034</u>
5.08mm Pitch KK Crimp Terminal Housing, 4 Circuits, Natural	<u>10011044</u>
5.08mm Pitch KK Crimp Terminal Housing, 5 Circuits, Natural	<u>10011054</u>
5.08mm Pitch KK Crimp Terminal Housing, 6 Circuits, Natural	<u>10011064</u>
5.08mm Pitch KK Crimp Terminal Housing, 7 Circuits, Natural	<u>10011074</u>
5.08mm Pitch KK Crimp Terminal Housing, 8 Circuits, Natural	<u>10011084</u>
5.08mm Pitch KK Crimp Terminal Housing, 9 Circuits, Natural	<u>10011094</u>
5.08mm Pitch KK Crimp Terminal Housing, 10 Circuits, Natural	<u>10011104</u>
5.08mm Pitch KK Crimp Terminal Housing, 11 Circuits, Natural	<u>10011114</u>
5.08mm Pitch KK Crimp Terminal Housing, 12 Circuits, Natural	<u>10011124</u>
5.08mm Pitch SPOX Crimp Terminal Housing, 2 Circuits, Natural	<u>10013026</u>
5.08mm Pitch SPOX Crimp Terminal Housing, 3 Circuits, Natural	<u>10013036</u>

5.08mm Pitch SPOX [10013046](#)  
Crimp Terminal  
Housing, 4 Circuits,  
Natural

5.08mm Pitch SPOX [10013056](#)  
Crimp Terminal  
Housing, 5 Circuits,  
Natural

5.08mm Pitch SPOX [10013066](#)  
Crimp Terminal  
Housing, 6 Circuits,  
Natural

5.08mm Pitch SPOX [10013076](#)  
Crimp Terminal  
Housing, 7 Circuits,  
Natural

5.08mm Pitch SPOX [10013086](#)  
Crimp Terminal  
Housing, 8 Circuits,  
Natural

5.08mm Pitch SPOX [10013096](#)  
Crimp Terminal  
Housing, 9 Circuits,  
Natural

KK PC Board [10021022](#)  
Connector, Bottom  
Entry Mount Style B,  
1.00µm Tin (Sn), 2  
Circuits

KK PC Board [10021032](#)  
Connector, Bottom  
Entry Mount Style B,  
1.00µm Tin (Sn), 3  
Circuits

KK PC Board [10021042](#)  
Connector, Bottom  
Entry Mount Style B,  
1.00µm Tin (Sn), 4  
Circuits

KK PC Board [10021052](#)  
Connector, Bottom  
Entry Mount Style B,  
1.00µm Tin (Sn), 5  
Circuits

KK PC Board [10021062](#)  
Connector, Bottom  
Entry Mount Style B,  
1.00µm Tin (Sn), 6  
Circuits

KK PC Board [10021072](#)  
Connector, Bottom  
Entry Mount Style B,  
1.00µm Tin (Sn), 7  
Circuits

KK PC Board [10021082](#)  
Connector, Bottom  
Entry Mount Style B,  
1.00µm Tin (Sn), 8  
Circuits

KK PC Board [10021092](#)  
Connector, Bottom  
Entry Mount Style B,  
1.00µm Tin (Sn), 9  
Circuits

KK PC Board Connector, Bottom Entry Mount Style B, 1.00µm Tin (Sn), 10 Circuits	<u>10021102</u>
KK PC Board Connector, Bottom Entry Mount Style B, 1.00µm Tin (Sn), 11 Circuits	<u>10021112</u>
KK PC Board Connector, Bottom Entry Mount Style B, 1.00µm Tin (Sn), 12 Circuits	<u>10021122</u>
5.08mm Pitch KK Header, Right Angle, Square Pin, 4 Circuits, Tin (Sn) Plating	<u>10061045</u>
KK Header, Right Angle, Square Pin, 5 Circuits, Tin (Sn) Plating	<u>10061055</u>
KK Header, Vertical, Round Pin, 2 Circuits, Tin (Sn) Plating, Pin Length 19.05mm	<u>10081021</u>
KK Header, Vertical, Round Pin, 2 Circuits, Tin (Sn) Plating, Pin Length 23.80mm	<u>10081022</u>
KK Header, Vertical, Round Pin, 3 Circuits, Tin (Sn) Plating, Pin Length 20.32mm	<u>10081039</u>
KK Header, Vertical, Round Pin, 4 Circuits, Tin (Sn) Plating, Pin Length 19.05mm	<u>10081041</u>
KK Header, Vertical, Round Pin, 4 Circuits, Tin (Sn) Plating, Pin Length 20.32mm	<u>10081049</u>
KK Header, Vertical, Round Pin, 5 Circuits, Tin (Sn) Plating, Pin Length 19.05mm	<u>10081051</u>
KK Header, Vertical, Round Pin, 6 Circuits, Tin (Sn) Plating, Pin Length 19.05mm	<u>10081061</u>
KK Header, Vertical, Round Pin, 6 Circuits, Tin (Sn) Plating, Pin Length 20.32mm	<u>10081069</u>

KK Header, Vertical, [10081071](#)  
Round Pin, 7  
Circuits, Tin (Sn)  
Plating, Pin Length  
19.05mm

KK Header, Vertical, [10081081](#)  
Round Pin, 8  
Circuits, Tin (Sn)  
Plating, Pin Length  
19.05mm

KK Header, Vertical, [10081082](#)  
Round Pin, 8  
Circuits, Tin (Sn)  
Plating, Pin Length  
23.80mm

KK Header, Vertical, [10081089](#)  
Round Pin, 8  
Circuits, Tin (Sn)  
Plating, Pin Length  
20.32mm

KK Header, Vertical, [10081091](#)  
Round Pin, 9  
Circuits, Tin (Sn)  
Plating, Pin Length  
19.05mm

KK Header, Vertical, [10081101](#)  
Round Pin, 10  
Circuits, Tin (Sn)  
Plating, Pin Length  
19.05mm

KK Header, Vertical, [10081102](#)  
Round Pin, 10  
Circuits, Tin (Sn)  
Plating, Pin Length  
23.80mm

KK Header, Vertical, [10081111](#)  
Round Pin, 11  
Circuits, Tin (Sn)  
Plating, Pin Length  
19.05mm

KK Header, Vertical, [10081112](#)  
Round Pin, 11  
Circuits, Tin (Sn)  
Plating, Pin Length  
23.80mm

KK Header, Vertical, [10081121](#)  
Round Pin, 12  
Circuits, Tin (Sn)  
Plating, Pin Length  
19.05mm

KK Header, Vertical, [10085021](#)  
with Polarizing  
Backwall, 2 Circuits,  
Tin (Sn) Plating

KK Header, Vertical, [10085031](#)  
with Polarizing  
Backwall, 3 Circuits,  
Tin (Sn) Plating

KK Header, Vertical, [10085041](#)  
with Polarizing  
Backwall, 4 Circuits,  
Tin (Sn) Plating

KK Header, Vertical, [10085051](#)  
with Polarizing

Backwall, 5 Circuits,  
Tin (Sn) Plating  
KK Header, Vertical, 10085061  
with Polarizing  
Backwall, 6 Circuits,  
Tin (Sn) Plating  
KK Header, Vertical, 10085071  
with Polarizing  
Backwall, 7 Circuits,  
Tin (Sn) Plating  
KK Header, Vertical, 10085081  
with Polarizing  
Backwall, 8 Circuits,  
Tin (Sn) Plating  
KK Header, Vertical, 10085101  
with Polarizing  
Backwall, 10 Circuits,  
Tin (Sn) Plating  
KK Header, Vertical, 10085111  
with Polarizing  
Backwall, 11 Circuits,  
Tin (Sn) Plating  
KK Header, Vertical, 10085121  
with Polarizing  
Backwall, 12 Circuits,  
Tin (Sn) Plating  
KK PC Board 10101021  
Connector, Right-  
Angle Mount Style A,  
1.00µm Tin (Sn), 2  
Circuits  
KK PC Board 10101023  
Connector, Top  
Entry Mount Style C,  
1.00µm Tin (Sn), 2  
Circuits  
KK PC Board 10101031  
Connector, Right-  
Angle Mount Style A,  
1.00µm Tin (Sn), 3  
Circuits  
KK PC Board 10101033  
Connector, Top  
Entry Mount Style C,  
1.00µm Tin (Sn), 3  
Circuits  
KK PC Board 10101041  
Connector, Right-  
Angle Mount Style A,  
1.00µm Tin (Sn), 4  
Circuits  
KK PC Board 10101043  
Connector, Top  
Entry Mount Style C,  
1.00µm Tin (Sn), 4  
Circuits  
KK PC Board 10101051  
Connector, Right-  
Angle Mount Style A,  
1.00µm Tin (Sn), 5  
Circuits  
KK PC Board 10101053  
Connector, Top  
Entry Mount Style C,



1.00µm Tin (Sn), 5  
Circuits  
KK PC Board 10101061  
Connector, Right-  
Angle Mount Style A,  
1.00µm Tin (Sn), 6  
Circuits  
KK PC Board 10101063  
Connector, Top  
Entry Mount Style C,  
1.00µm Tin (Sn), 6  
Circuits  
KK PC Board 10101071  
Connector, Right-  
Angle Mount Style A,  
1.00µm Tin (Sn), 7  
Circuits  
KK PC Board 10101073  
Connector, Top  
Entry Mount Style C,  
1.00µm Tin (Sn), 7  
Circuits  
KK PC Board 10101081  
Connector, Right-  
Angle Mount Style A,  
1.00µm Tin (Sn), 8  
Circuits  
KK PC Board 10101091  
Connector, Right-  
Angle Mount Style A,  
1.00µm Tin (Sn), 9  
Circuits  
KK PC Board 10101093  
Connector, Top  
Entry Mount Style C,  
1.00µm Tin (Sn), 9  
Circuits  
KK PC Board 10101101  
Connector, Right-  
Angle Mount Style A,  
1.00µm Tin (Sn), 10  
Circuits  
KK PC Board 10101103  
Connector, Top  
Entry Mount Style C,  
1.00µm Tin (Sn), 10  
Circuits  
KK PC Board 10101111  
Connector, Right-  
Angle Mount Style A,  
1.00µm Tin (Sn), 11  
Circuits  
KK PC Board 10101113  
Connector, Top  
Entry Mount Style C,  
1.00µm Tin (Sn), 11  
Circuits

This document was generated on 03/09/2020

**PLEASE CHECK [WWW.MOLEX.COM](http://WWW.MOLEX.COM) FOR LATEST PART INFORMATION**