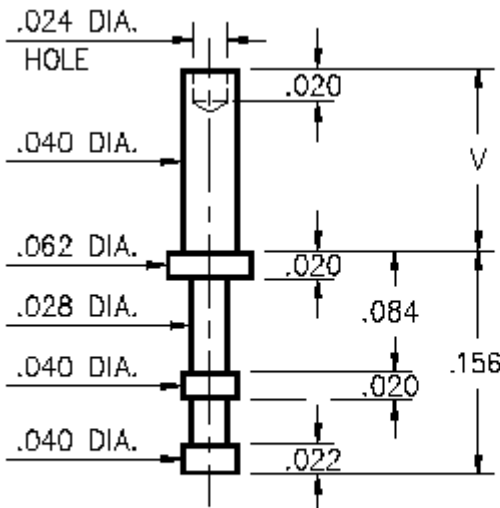


Product Number: 2108-2-00-44-00-00-07-0



- X -	Board Thickness	Length V
1	.031	.053
2	.062	.084
3	.094	.115
4	.125	.147

Description:

2108 - Turret Terminal Pin

Packaging:

Packaged in Bulk

2108-X-00-XX-00-00-07-0

Swage mount in .043 hole

Mill-Max Part Number	Shell Plating	Contact Plating	RoHS Compliant
2108-2-00-44-00-00-07-0	300 μ" Silver over Copper	00	NO

SHELL MATERIAL:

BRASS ALLOY (UNS C36000) per ASTM B 16

Properties of BRASS ALLOY:

- Chemical composition: Cu 61.5%, Zn 35.4%, Pb 3.1%†
- Hardness as machined: 80-90 Rockwell B
- Density: .307 lbs/in³
- Electrical conductivity: 26% IACS*
- Melting point: 900°C/885°C (liquidus/solidus)

†(3 to 4% lead is used to permit "free machining" and is permitted by EC Directive 2002/95Annex 6; so all pin materials are RoHS compliant)

*International Annealed Copper Standard, i.e. as a % of pure copper.