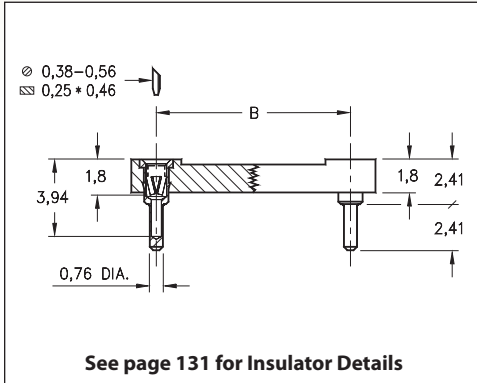
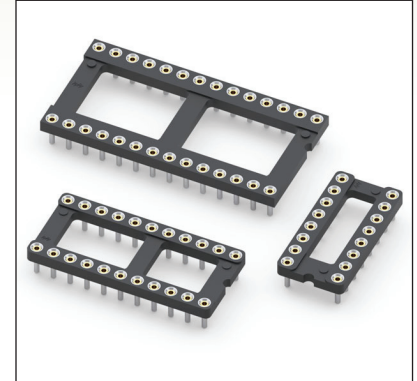


DUAL-IN-LINE SOCKETS

SERIES 115...003 • ULTRA LOW PROFILE • OPEN FRAME



- Our lowest profile DIP socket with an above PCB height of only 2,41mm
- Special short Hi-Rel, 4-finger BeCu #12 contact is rated at 3 amps. See page 252 for details
- Series 115 uses MM #1534 pins. See page 161 for details
- Insulators are high temperature thermoplastic, suitable for all soldering operations
- For Electrical, Mechanical and Environmental Data, see page 264 for details



Total number of pins				Quantity per tube	<h3>ORDERING INFORMATION</h3>							
	A	B	C									
6	7,6	7,62	10,1	68	115-XX-306-41-003000							
8	10,1	7,62	10,1	50	115-XX-308-41-003000							
14	17,7	7,62	10,1	28	115-XX-314-41-003000							
16	20,3	7,62	10,1	25	115-XX-316-41-003000							
18	22,8	7,62	10,1	22	115-XX-318-41-003000							
20	25,3	7,62	10,1	20	115-XX-320-41-003000							
22	27,8	7,62	10,1	18	115-XX-322-41-003000							
24	30,4	7,62	10,1	16	115-XX-324-41-003000							
28	35,5	7,62	10,1	14	115-XX-328-41-003000							
20	25,4	10,16	12,7	20	115-XX-420-41-003000							
22	27,8	10,16	12,7	18	115-XX-422-41-003000							
24	30,4	10,16	12,7	16	115-XX-424-41-003000							
28	35,5	10,16	12,7	14	115-XX-428-41-003000							
24	30,4	15,24	17,7	16	115-XX-624-41-003000							
28	35,5	15,24	17,7	14	115-XX-628-41-003000							
32	40,6	15,24	17,7	12	115-XX-632-41-003000							
36	45,7	15,24	17,7	11	115-XX-636-41-003000							
40	50,8	15,24	17,7	10	115-XX-640-41-003000							
48	60,9	15,24	17,7	8	115-XX-648-41-003000							
50	63,5	15,24	17,7	8	115-XX-650-41-003000							

XX=Plating Code
See Below



SPECIFY PLATING CODE XX =		91	93	41 ◆	43 ◆	44 ◆	47 ◆
Sleeve (Pin)		5,08µm Sn/Pb	5,08µm Sn/Pb	5,08µm Sn	5,08µm Sn	5,08µm Sn	5,08µm Sn
Contact (Clip)		0,25µm Au	0,76µm Au	0,25µm Au	0,76µm Au	2,54µm Sn	Au Flash

