

- 1N5819UR-1 AND 1N6761UR-1 AVAILABLE IN JAN, JANTX, JANTXV AND JANS PER MIL-PRF-19500/586
- 1 AMP SCHOTTKY BARRIER RECTIFIERS
- HERMETICALLY SEALED
- LEADLESS PACKAGE FOR SURFACE MOUNT
- METALLURGICALLY BONDED

1N5819UR
and
CDLL5817 thru CDLL5819
and
CDLL6759 thru CDLL6761
and
CDLL1A20 thru CDLL1A100

MAXIMUM RATINGS

Operating Temperature: -55°C to +125°C
Storage Temperature: -55°C to +150°C
Average Rectified Forward Current: 1.0 AMP @ T_{EC} = +55°C
Derating: 14 mA / °C above T_{EC} = +55°C

ELECTRICAL CHARACTERISTICS @ 25°C, unless otherwise specified.

| CDI TYPE NUMBER | WORKING PEAK REVERSE VOLTAGE | MAXIMUM FORWARD VOLTAGE | | | MAXIMUM REVERSE LEAKAGE CURRENT AT RATED VOLTAGE | |
|--------------------------|------------------------------------|-------------------------|-----------------------|-----------------------|--|-------------------------|
| | V _{RWM} | V _F @ 0.1A | V _F @ 1.0A | V _F @ 3.1A | I _R @ +25°C | I _R @ +100°C |
| | VOLTS | VOLTS | VOLTS | VOLTS | mA | mA |
| CDLL5817 | 20 | 0.36 | 0.60 | 0.9 | 0.1 | 5.0 |
| CDLL5818 | 30 | 0.36 | 0.60 | 0.9 | 0.1 | 5.0 |
| CDLL5819 | 40 | 0.36 | 0.60 | 0.9 | 0.1 | 5.0 |
| J,JX,JV & JS 5819UR-1 | 45 | 0.34 | 0.49 | 0.8 | 0.05 | 5.0 |
| CDLL6759 | 60 | 0.38 | 0.69 | N/A | 0.1 | 6.0 |
| CDLL6760 | 80 | 0.38 | 0.69 | N/A | 0.1 | 6.0 |
| CDLL6761 | 100 | 0.38 | 0.69 | N/A | 0.1 | 6.0 |
| J,JX,JV & JS 6761UR-1 | 100 | 0.38 | 0.69 | N/A | 0.10 | 12.0 |
| CDLL1A20 | 20 | 0.36 | 0.60 | 0.9 | 0.1 | 5.0 |
| CDLL1A30 | 30 | 0.36 | 0.60 | 0.9 | 0.1 | 5.0 |
| CDLL1A40 | 40 | 0.36 | 0.60 | 0.9 | 0.1 | 5.0 |
| CDLL1A50 | 50 | 0.36 | 0.60 | 0.9 | 0.1 | 5.0 |
| CDLL1A60 | 60 | 0.38 | 0.69 | N/A | 0.1 | 12.0 |
| CDLL1A80 | 80 | 0.38 | 0.69 | N/A | 0.1 | 12.0 |
| CDLL1A100 | 100 | 0.38 | 0.69 | N/A | 0.1 | 12.0 |

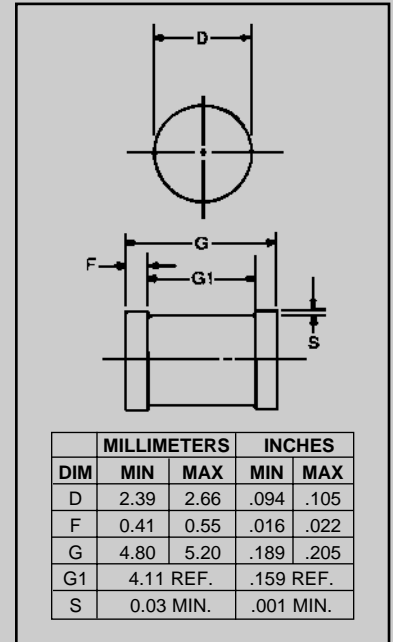


FIGURE 1

DESIGN DATA

CASE: DO-213AB, Hermetically sealed glass case. (MELF, LL41)

LEAD FINISH: Tin / Lead

THERMAL RESISTANCE: (R_{QJEC}): 40 °C/W maximum at L = 0 inch

THERMAL IMPEDANCE: (Z_{QJX}): 12 °C/W maximum

POLARITY: Cathode end is banded.

MOUNTING SURFACE SELECTION:
The Axial Coefficient of Expansion (COE) Of this Device is Approximately +6PPM/°C. The COE of the Mounting Surface System Should Be Selected To Provide A Suitable Match With This Device.



6 LAKE STREET, LAWRENCE, MASSACHUSETTS 01841
PHONE (978) 620-2600 FAX (978) 689-0803
WEBSITE: <http://www.microsemi.com>

CDLL5817 thru CDLL5819 and CDLL6759 thru CDLL6761 and CDLL1A20 thru CDLL1A100

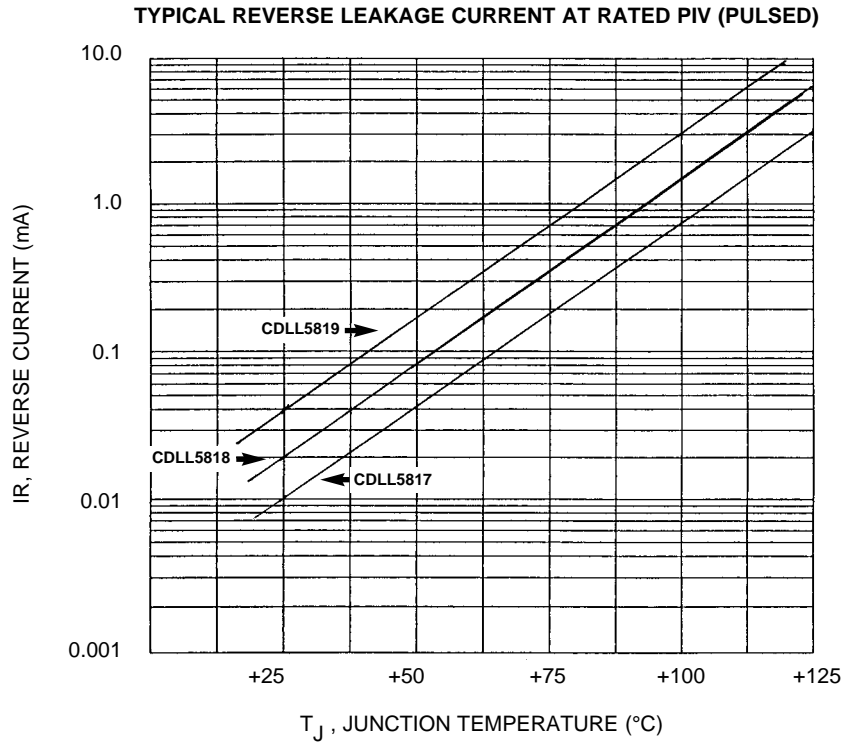


FIGURE 1

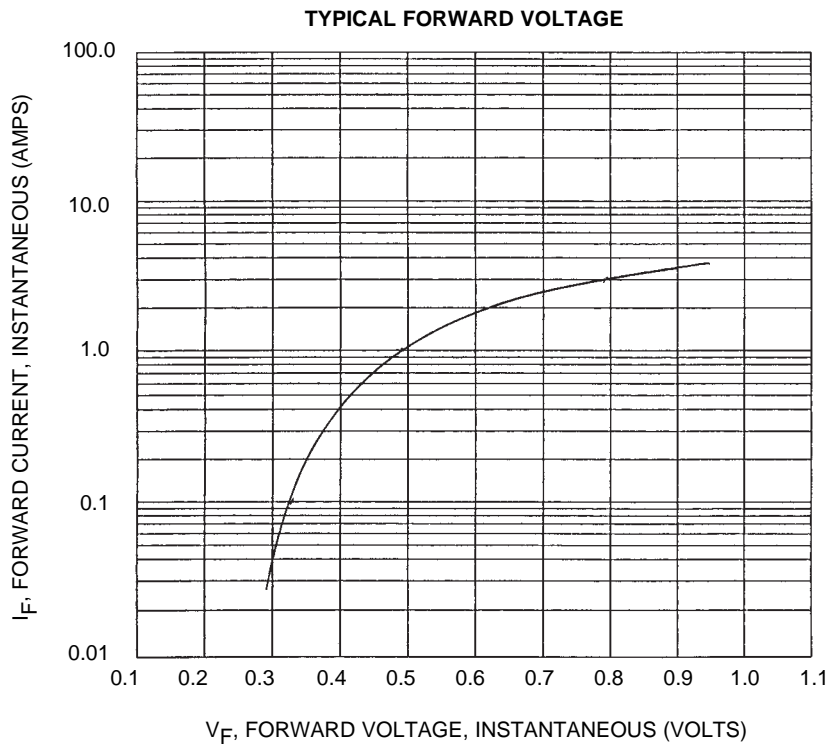


FIGURE 2