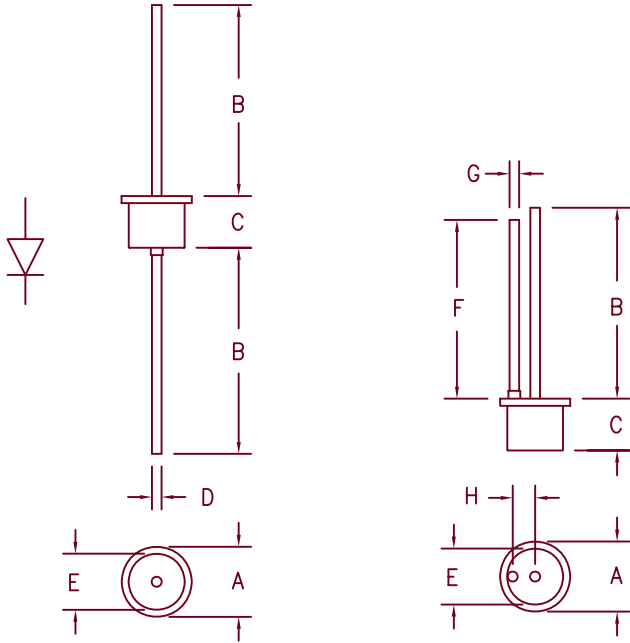


# Silicon Rectifiers

## 1N4719–1N4725, 1N4997–1N5003



1N4719–1N4725

1N4997–1N5003

Dim.	Inches		Millimeter		Notes
	Minimum	Maximum	Minimum	Maximum	
A	---	.450	---	11.43	Dia.
B	.980	---	24.89	---	
C	---	.300	---	7.62	
D	.046	.056	1.17	1.42	Dia.
E	---	.350	---	8.89	Dia.
F	.960	---	24.38	---	
G	.031	.035	.79	.89	Dia.
H	.145	.165	3.68	4.19	

### Microsemi Catalog Number

1N4719, 1N4997  
 1N4720, 1N4998  
 1N4721, 1N4999  
 1N4722, 1N5000  
 1N4723, 1N5001  
 1N4724, 1N5002  
 1N4725, 1N5003

### Peak Reverse Voltage

50V  
 100V  
 200V  
 400V  
 600V  
 800V  
 1000V

- High Surge Capability
- 175°C Junction Temperature
- VRRM 50 to 1000 Volts
- 3 Amp Current Rating
- Hermetically Sealed

### Electrical Characteristics

Average forward current  
 Maximum surge current  
 Max peak forward voltage  
 Max peak reverse current

$I_F(AV)$  3.0 Amps  
 $I_{FSM}$  300 Amps  
 $V_{FM}$  1.0 Volts  
 $I_{RM}$  25  $\mu A$

$T_A = 119^\circ C$ , Square wave,  $R_{\theta JL} = 12^\circ C/W$ ,  $L = 1/4"$   
 8.3ms, half sine,  $T_J = 175^\circ C$   
 $I_{FM} = 3.0A$ ;  $T_J = 25^\circ C^*$   
 $V_{RRM}, T_J = 25^\circ C$

\*Pulse test: Pulse width 300  $\mu sec$ , Duty cycle 2%

### Thermal and Mechanical Characteristics

Storage temperature range  
 Operating junction temp range  
 Maximum thermal resistance  
 Weight

$T_{STG}$   
 $T_J$   
 $L = 1/4"$   $R_{\theta JL}$

-65°C to 175°C  
 -65°C to 175°C  
 12°C/W Junction to Lead  
 .08 ounces (2.3 grams) typical



6 Lake Street  
 Lawrence, MA 01841  
 PH: (978) 620-2600  
 FAX: (978) 689-0803  
[www.microsemi.com](http://www.microsemi.com)

05-01-07 Rev. 3

# 1N4719-1N4725, 1N4997-1N5003

Figure 1  
Typical Forward Characteristics

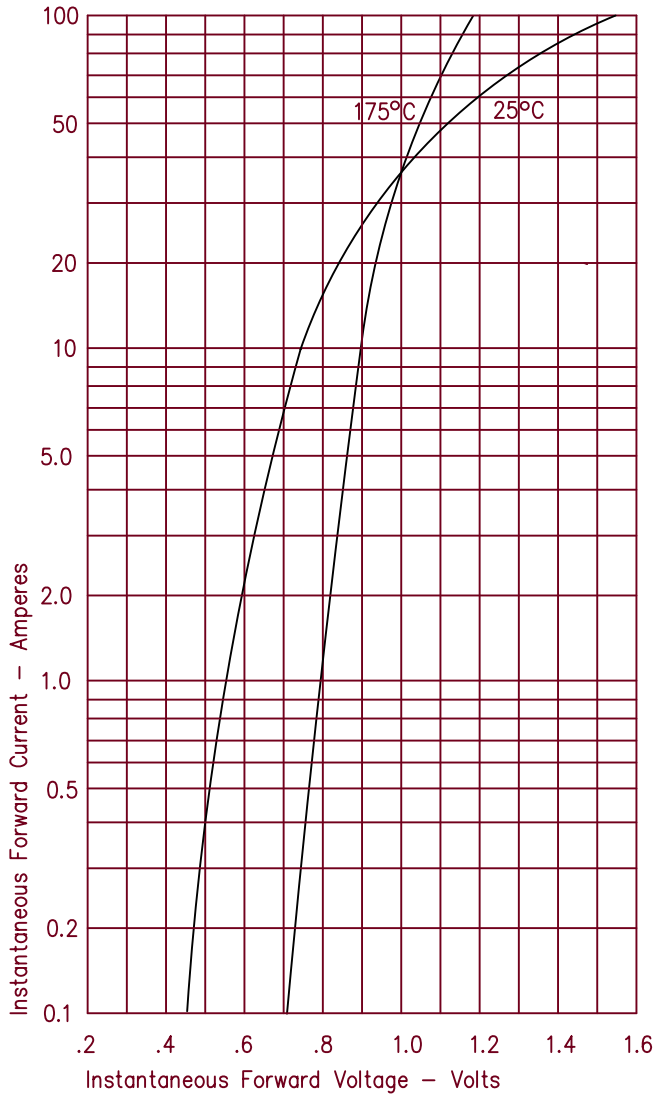


Figure 3  
Forward Current Derating

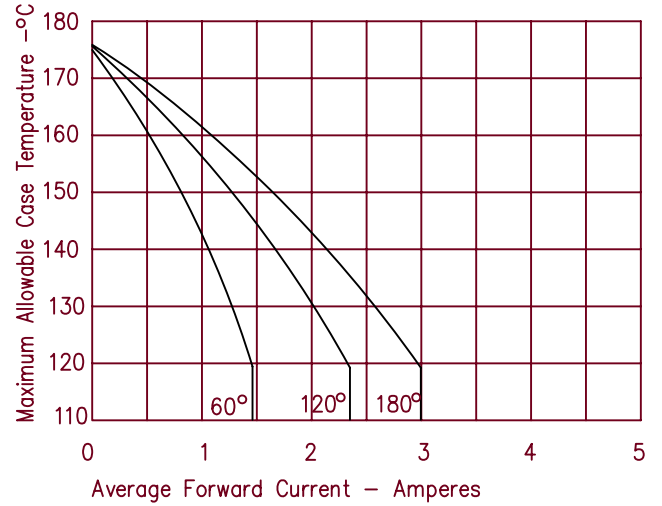


Figure 2  
Typical Reverse Characteristics

