



Micro Commercial Components
 130 W Cochran St, Unit B
 Simi Valley, CA 93065
 Tel:818-701-4933

BC856S

PNP Plastic-Encapsulate Transistors 200mW

Features

- Halogen free available upon request by adding suffix "-HF"
- # Multi-chip Transistor
- # Ultra-Small Surface Mount Package
- Lead Free Finish/RoHS Compliant ("P" Suffix designates RoHS Compliant. See ordering information)
- Epoxy meets UL 94 V-0 flammability rating
- Moisture Sensitivity Level 1

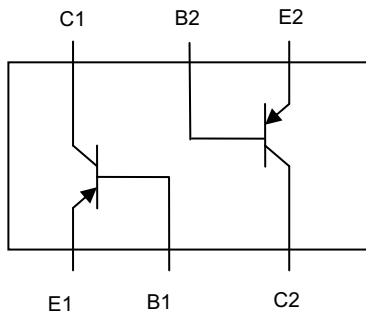
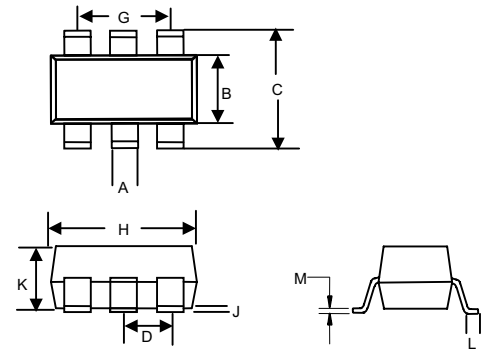
Mechanical Data

Case: SOT-363

Maximum Ratings @ 25°C Unless Otherwise Specified

Symbol	Parameter	Value	Units
OFF CHARACTERISTICS			
I_{CM}	Peak Collector Current	-100	mA
V(BR)CBO	Collector-base Voltage	-80	V
P_d	Power Dissipation @ $T_A=25^\circ\text{C}$	200	mW
T_J, T_{STG}	Operating & Storage Temperature	-55~+150	°C

SOT-363



Marking: 5Ft / 3D

BC856S Structure schematic diagram

DIM	INCHES		MM		NOTE
	MIN	MAX	MIN	MAX	
A	.006	.014	0.15	0.35	
B	.045	.053	1.15	1.35	
C	.079	.096	2.00	2.45	
D	.026		0.65Nominal		
G	.047	.055	1.20	1.40	
H	.071	.087	1.80	2.20	
J	---	.004	---	0.10	
K	.035	.043	0.90	1.10	
L	.010	.018	0.26	0.46	
M	.003	.006	0.08	0.15	

BC856S

ELECTRICAL CHARACTERISTICS(Tamb=25 unless otherwise specified)

Parameter	Symbol	Test conditions	MIN	TYP	MAX	UNIT
Collector-base breakdown voltage	$V_{(BR)CBO}$	$I_C=-10\mu A, I_E=0$	-80			V
Collector-emitter breakdown voltage	$V_{(BR)CEO}$	$I_C=-10mA, I_B=0$	-65			V
Emitter-base breakdown voltage	$V_{(BR)EBO}$	$I_E=-10\mu A, I_C=0$	-5			V
Collector cut-off current	I_{CBO}	$V_{CB}=-30V, I_E=0$			-15	nA
Emitter cut-off current	I_{EBO}	$V_{EB}=-5V, I_C=0$			-100	nA
DC current gain	h_{FE}	$V_{CE}=-5V, I_C=-2mA$	110			
Collector-emitter saturation voltage	$V_{CE(sat)(1)}$	$I_C=-10mA, I_B=-0.5mA$			-0.1	V
	$V_{CE(sat)(2)}$	$I_C=-100mA, I_B=-5mA$			-0.3	V
Base-emitter voltage	$V_{BE(sat)}$	$I_C=-10V, I_B=-0.5mA$		0.7		V
Transition frequency	f_T	$V_{CE}=-5V, I_C=-10mA, f=100MHz$	100			MHz
Collector output capacitance	C_{ob}	$V_{CB}=-10V, I_E=0, f=1MHz$			2.5	pF



Micro Commercial Components

Ordering Information :

Device	Packing
Part Number-TP	Tape&Reel; 3Kpcs/Reel

Note : Adding "-HF" suffix for halogen free, eg. Part Number-TP-HF

*****IMPORTANT NOTICE*****

Micro Commercial Components Corp. reserves the right to make changes without further notice to any product herein to make corrections, modifications, enhancements, improvements, or other changes. **Micro Commercial Components Corp.** does not assume any liability arising out of the application or use of any product described herein; neither does it convey any license under its patent rights, nor the rights of others. The user of products in such applications shall assume all risks of such use and will agree to hold **Micro Commercial Components Corp.** and all the companies whose products are represented on our website, harmless against all damages.

*****LIFE SUPPORT*****

MCC's products are not authorized for use as critical components in life support devices or systems without the express written approval of Micro Commercial Components Corporation.

*****CUSTOMER AWARENESS*****

Counterfeiting of semiconductor parts is a growing problem in the industry. Micro Commercial Components (MCC) is taking strong measures to protect ourselves and our customers from the proliferation of counterfeit parts. MCC strongly encourages customers to purchase MCC parts either directly from MCC or from Authorized MCC Distributors who are listed by country on our web page cited below. Products customers buy either from MCC directly or from Authorized MCC Distributors are genuine parts, have full traceability, meet MCC's quality standards for handling and storage. **MCC will not provide any warranty coverage or other assistance for parts bought from Unauthorized Sources.** MCC is committed to combat this global problem and encourage our customers to do their part in stopping this practice by buying direct or from authorized distributors.