

## 16-Channel Low Harmonic Distortion High-Voltage Analog Switches

### Features

- 16-channel High-voltage Analog Switch
- Low Harmonic Distortion
- Integrated Bleed Resistors on the Outputs for HV2705
- 3.3V Input Logic Level Compatible
- -60 dB typical OFF-isolation at 5 MHz
- 20 MHz Data Shift Clock Frequency
- 10  $\mu$ A Low-quiescent Power Dissipation
- Low Parasitic Capacitance
- DC to 50 MHz Small-signal Frequency Response
- CMOS logic Circuitry for Low Power
- Cascadable Serial Data Register with Latches
- Flexible Operating Supply Voltages

### Applications

- Medical Ultrasound Imaging
- Non-destructive Metal Flaw Detection
- Piezoelectric Transducer Drivers
- Optical MEMS Modules

### Description

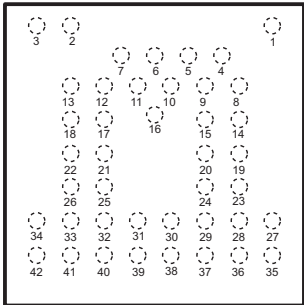
The HV2605 and HV2705 are 16-channel low harmonic distortion high-voltage analog switch integrated circuits (ICs). These devices are designed for applications requiring high-voltage switching controlled by low-voltage control signals, such as medical ultrasound imaging and other piezoelectric transducer drivers. The HV2705 has integrated bleed resistors which eliminate voltage build-up on capacitive loads such as piezoelectric transducers.

These ICs shift input data into a 16-bit Shift register that can then be retained in a 16-bit latch. To reduce any possible clock feed-through noise, the latch enable bar should be left high until all bits are clocked in. Data are clocked in during the rising edge of the clock. This device combines high-voltage, bilateral DMOS switches and low-power CMOS logic to provide efficient control of high-voltage analog signals.

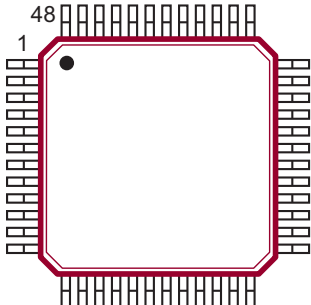
The device is suitable for various combinations of high-voltage supplies, e.g.,  $V_{PP}/V_{NN}$ : +40V/-160V, +100V/-100V and +160V/-40V.

### Package Types

**42-Ball Bumped Die**  
(Top view)



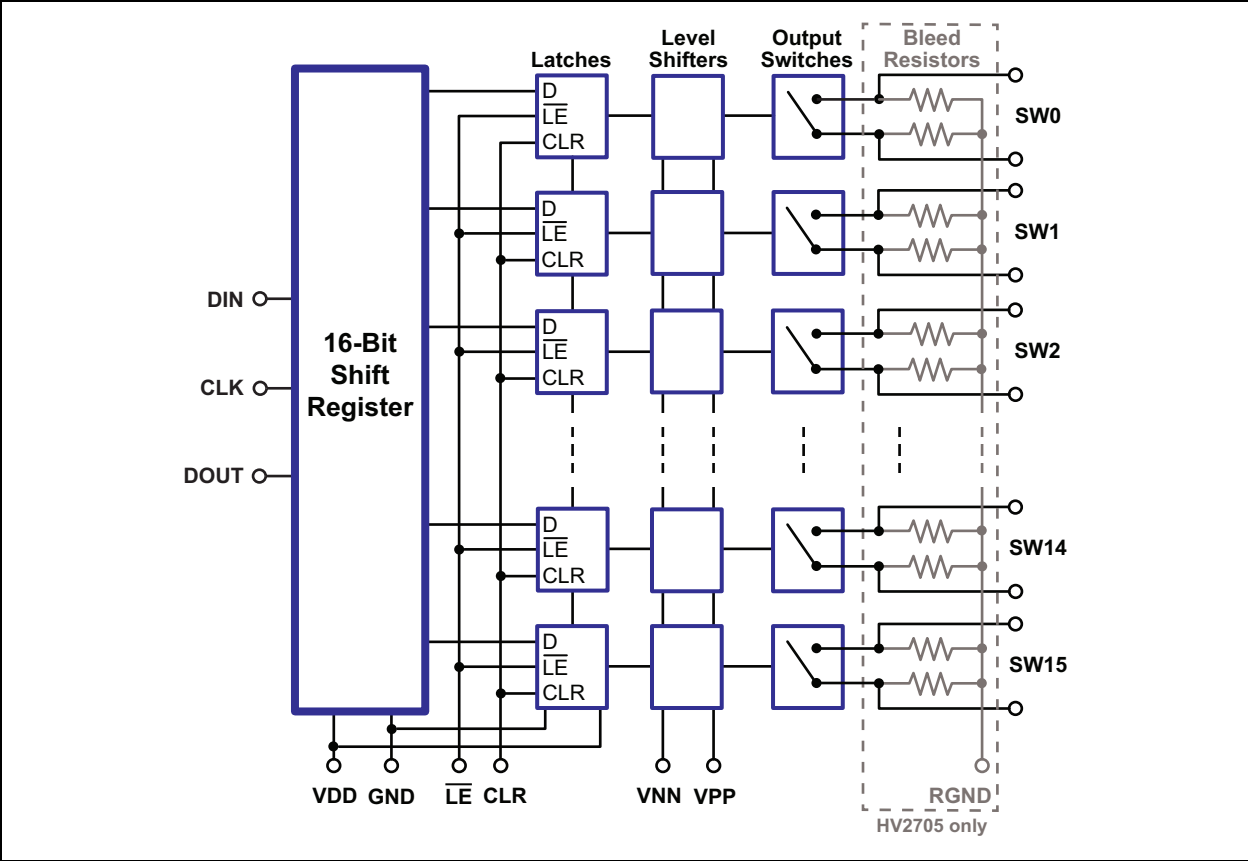
**48-lead LQFP**  
(Top view)



See [Table 2-1](#) and [Table 2-2](#) for pin information.

# HV2605/HV2705

## Functional Block Diagram



## 1.0 ELECTRICAL CHARACTERISTICS

### ABSOLUTE MAXIMUM RATINGS†

Logic Supply, $V_{DD}$ .....	-0.5V to +7V
Differential Supply, $V_{PP}-V_{NN}$ .....	220V
Positive Supply, $V_{PP}$ .....	-0.5V to $V_{NN} + 200V$
Negative Supply, $V_{NN}$ .....	+0.5V to -200V
Logic Input Voltage .....	-0.5V to $V_{DD} + 0.3V$
Analog Signal Range .....	$V_{NN}$ to $V_{PP}$
Peak Analog Signal Current/Channel .....	3A
Storage Temperature, $T_S$ .....	-65°C to 150°C
Power Dissipation:	
42-Ball Bumped Die .....	1.5W
48-lead LQFP .....	1W

† **Notice:** Stresses above those listed under “Maximum Ratings” may cause permanent damage to the device. This is a stress rating only and functional operation of the device at those or any other conditions above those indicated in the operational listings of this specification is not implied. Exposure to maximum rating conditions for extended periods may affect device reliability.

### RECOMMENDED OPERATING CONDITIONS

Parameter	Sym.	Min.	Typ.	Max.	Unit	Conditions
Logic Power Supply Voltage	$V_{DD}$	3	—	5.5	V	<a href="#">Note 1</a> , <a href="#">Note 3</a>
Positive High-voltage Supply	$V_{PP}$	40	—	$V_{NN}+200V$	V	<a href="#">Note 1</a> , <a href="#">Note 3</a>
Negative High-voltage Supply	$V_{NN}$	-40	—	-160	V	<a href="#">Note 1</a> , <a href="#">Note 3</a>
High-level Input Voltage	$V_{IH}$	$0.9 V_{DD}$	—	$V_{DD}$	V	
Low-level Input Voltage	$V_{IL}$	0	—	$0.1 V_{DD}$	V	
Analog Signal Voltage Peak-to-peak	$V_{SIG}$	$V_{NN} + 10V$	—	$V_{PP}-10V$	V	<a href="#">Note 2</a>

**Note 1:** Power-up/power-down sequence is arbitrary except GND must be powered up first and powered down last.

**2:**  $V_{SIG}$  must be  $V_{NN}$  and  $V_{PP}$  or floating during power-up/power-down transition.

**3:** Rise and fall times of power supplies  $V_{DD}$ ,  $V_{PP}$  and  $V_{NN}$  should not be less than 1 millisecond.

# HV2605/HV2705

## DC ELECTRICAL CHARACTERISTICS

Electrical Specifications: Over recommended operating conditions unless otherwise noted.											
Parameter	Sym.	0°C		25°C			70°C		Unit	Conditions	
		Min.	Max.	Min.	Typ.	Max.	Min.	Max.			
Small Signal Switch ON-resistance	R <sub>ONS</sub>	—	30	—	26	38	—	48	Ω	I <sub>SIG</sub> = 5 mA	V <sub>PP</sub> = +40V
		—	25	—	22	27	—	32	Ω	I <sub>SIG</sub> = 200 mA	V <sub>NN</sub> = -160V
		—	25	—	22	27	—	30	Ω	I <sub>SIG</sub> = 5 mA	V <sub>PP</sub> = +100V
		—	18	—	18	24	—	27	Ω	I <sub>SIG</sub> = 200 mA	V <sub>NN</sub> = -100V
		—	23	—	20	25	—	30	Ω	I <sub>SIG</sub> = 5 mA	V <sub>PP</sub> = +160V
		—	22	—	16	25	—	27	Ω	I <sub>SIG</sub> = 200 mA	V <sub>NN</sub> = -40V
Small Signal Switch ON-resistance Matching	ΔR <sub>ONS</sub>	—	20	—	5	20	—	20	%	I <sub>SIG</sub> = 5 mA, V <sub>PP</sub> = +100V, V <sub>NN</sub> = -100V	
Large Signal Switch ON-resistance	R <sub>ONL</sub>	—	—	—	15	—	—	—	Ω	V <sub>SIG</sub> = V <sub>PP</sub> -10V, I <sub>SIG</sub> = 1A	
Output Bleed Resistor (HV2705 only)	R <sub>INT</sub>	—	—	20	35	50	—	—	kΩ	Output Switch to R <sub>GND</sub> I <sub>RINT</sub> = 0.5 mA	
Switch OFF Leakage per Switch	I <sub>SOL</sub>	—	5	—	1	10	—	15	μA	V <sub>SIG</sub> = V <sub>PP</sub> -10V and V <sub>NN</sub> +10V (See <a href="#">Section 3.1 "Test Circuits"</a> .)	
DC Offset Switch OFF	V <sub>OS</sub>	—	300	—	100	300	—	300	mV	HV2605: 100 kΩ load HV2705: No load	
DC Offset Switch ON		—	500	—	100	500	—	500	mV	(See <a href="#">Section 3.1 "Test Circuits"</a> .)	
Quiescent V <sub>PP</sub> Supply Current	I <sub>PPQ</sub>	—	—	—	10	50	—	—	μA	All switches off	
Quiescent V <sub>NN</sub> Supply Current	I <sub>NNQ</sub>	—	—	—	-10	-50	—	—	μA	All switches off	
Quiescent V <sub>PP</sub> Supply Current	I <sub>PPQ</sub>	—	—	—	10	50	—	—	μA	All switches on, I <sub>SW</sub> = 5 mA	
Quiescent V <sub>NN</sub> Supply Current	I <sub>NNQ</sub>	—	—	—	-10	-50	—	—	μA	All switches on, I <sub>SW</sub> = 5 mA	
Switch Output Peak Current	I <sub>SW</sub>	—	3	—	3	2	—	2	A	V <sub>SIG</sub> duty cycle < 0.1%	
Output Switching Frequency	f <sub>SW</sub>	—	—	—	—	50	—	—	kHz	Duty cycle = 50%	
Average V <sub>PP</sub> Supply Current	I <sub>PP</sub>	—	6.5	—	—	7	—	8	mA	V <sub>PP</sub> = +40V V <sub>NN</sub> = -160V	50 kHz output switching frequency with no load
		—	4	—	—	5.5	—	5.5	mA	V <sub>PP</sub> = +100V V <sub>NN</sub> = -100V	
		—	4	—	—	5	—	5.5	mA	V <sub>PP</sub> = +160V V <sub>NN</sub> = -40V	
Average V <sub>NN</sub> Supply Current	I <sub>NN</sub>	—	6.5	—	—	7	—	8	mA	V <sub>PP</sub> = +40V V <sub>NN</sub> = -160V	50 kHz output switching frequency with no load
		—	4	—	—	5	—	5.5	mA	V <sub>PP</sub> = +100V V <sub>NN</sub> = -100V	
		—	4	—	—	5	—	5.5	mA	V <sub>PP</sub> = +160V V <sub>NN</sub> = -40V	
Average V <sub>DD</sub> Supply Current	I <sub>DD</sub>	—	4	—	—	4	—	4	mA	f <sub>CLK</sub> = 5 MHz, V <sub>DD</sub> = 5V	
Quiescent V <sub>DD</sub> Supply Current	I <sub>DDQ</sub>	—	10	—	—	10	—	10	μA	All logic inputs are static.	

## DC ELECTRICAL CHARACTERISTICS (CONTINUED)

Electrical Specifications: Over recommended operating conditions unless otherwise noted.										
Parameter	Sym.	0°C		25°C			70°C		Unit	Conditions
		Min.	Max.	Min.	Typ.	Max.	Min.	Max.		
Data Out Source Current	I <sub>SOR</sub>	0.45	—	0.45	0.7	—	0.4	—	mA	V <sub>OUT</sub> = V <sub>DD</sub> - 0.7V
Data Out Sink Current	I <sub>SINK</sub>	0.45	—	0.45	0.7	—	0.4	—	mA	V <sub>OUT</sub> = 0.7V
Logic Input Capacitance	C <sub>IN</sub>	—	10	—	—	10	—	10	pF	

## AC ELECTRICAL CHARACTERISTICS

Electrical Specifications: V <sub>DD</sub> = 5V, t <sub>r</sub> = t <sub>f</sub> ≤ 5 ns, 50% duty cycle and C <sub>LOAD</sub> = 20 pF unless otherwise noted.										
Parameter	Sym.	0°C		25°C			70°C		Unit	Conditions
		Min.	Max.	Min.	Typ.	Max.	Min.	Max.		
Set-up Time before Latch Enable Rises	t <sub>SD</sub>	25	—	25	—	—	25	—	ns	
Time Width of $\overline{LE}$	t <sub>WLE</sub>	56	—	—	56	—	56	—	ns	V <sub>DD</sub> = 3V
		12	—	—	12	—	12	—	ns	V <sub>DD</sub> = 5V
Clock Delay Time to Data Out	t <sub>DO</sub>	50	100	50	78	100	50	100	ns	V <sub>DD</sub> = 3V
		15	40	15	30	40	15	40	ns	V <sub>DD</sub> = 5V
Time Width of CLR	t <sub>WCLR</sub>	55	—	55	—	—	55	—	ns	
Set-up Time Data to Clock	t <sub>SU</sub>	21	—	—	21	—	21	—	ns	V <sub>DD</sub> = 3V
		7	—	—	7	—	7	—	ns	V <sub>DD</sub> = 5V
Hold Time Data from Clock	t <sub>H</sub>	2	—	2	—	—	2	—	ns	V <sub>DD</sub> = 3V or 5V
Clock Frequency	f <sub>CLK</sub>	—	8	—	—	8	—	8	MHz	V <sub>DD</sub> = 3V
		—	20	—	—	20	—	20	MHz	V <sub>DD</sub> = 5V
Clock Rise and Fall Times	t <sub>r</sub> , t <sub>f</sub>	—	50	—	—	50	—	50	ns	
Turn ON Time	T <sub>ON</sub>	—	5	—	—	5	—	5	μs	V <sub>SIG</sub> = V <sub>PP</sub> - 10V, R <sub>LOAD</sub> = 10 kΩ (See Section 3.1 "Test Circuits".)
Turn OFF Time	T <sub>OFF</sub>	—	5	—	—	5	—	5	μs	V <sub>SIG</sub> = V <sub>PP</sub> - 10V, R <sub>LOAD</sub> = 10 kΩ (See Section 3.1 "Test Circuits".)
Maximum V <sub>SIG</sub> Slew Rate	dv/dt	—	20	—	—	20	—	20	V/ns	V <sub>PP</sub> = +40V, V <sub>NN</sub> = -160V
		—	20	—	—	20	—	20	V/ns	V <sub>PP</sub> = +100V, V <sub>NN</sub> = -100V
		—	20	—	—	20	—	20	V/ns	V <sub>PP</sub> = +160V, V <sub>NN</sub> = -40V
OFF Isolation	K <sub>O</sub>	-30	—	-30	-33	—	-30	—	dB	f = 5 MHz, 1 kΩ//15 pF load (See Section 3.1 "Test Circuits".)
		-58	—	-58	—	—	-58	—	dB	f = 5 MHz, 50Ω load (See Section 3.1 "Test Circuits".)
Switch Crosstalk	K <sub>CR</sub>	-60	—	-60	-70	—	-60	—	dB	f = 5 MHz, 50Ω load (See Section 3.1 "Test Circuits".)

# HV2605/HV2705

## AC ELECTRICAL CHARACTERISTICS (CONTINUED)

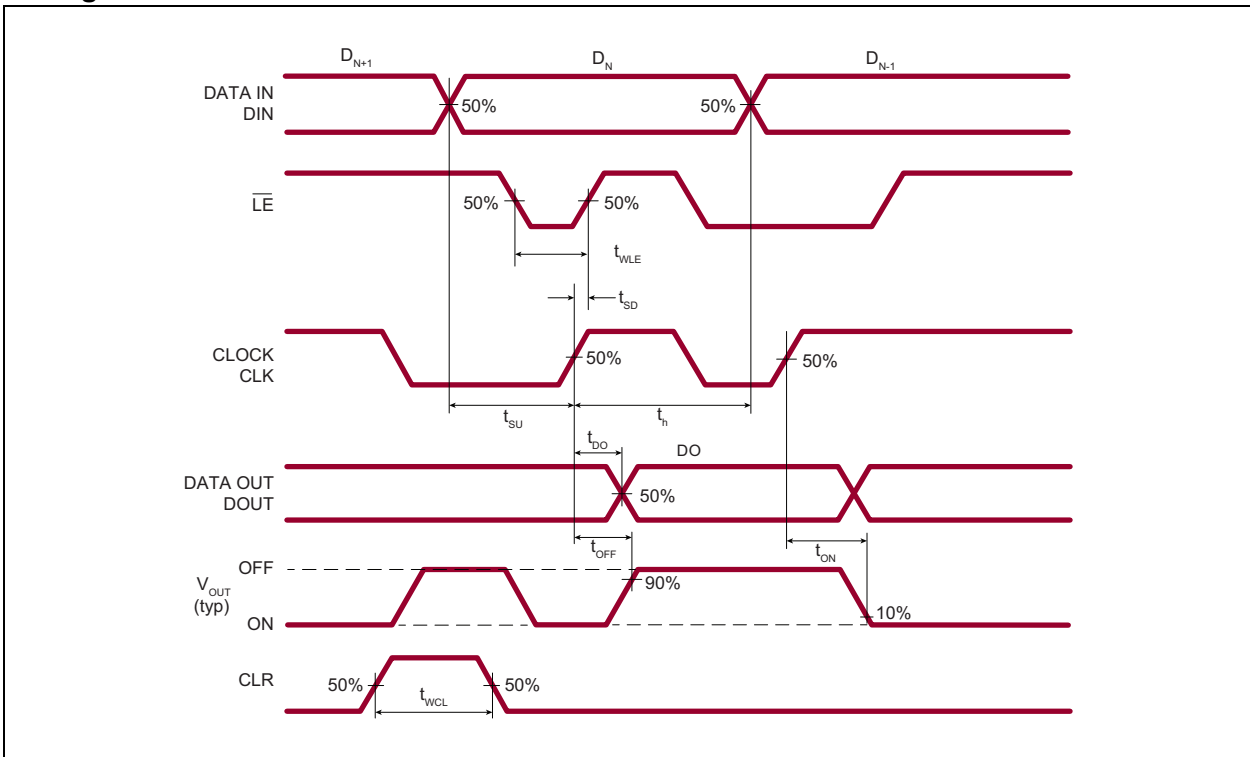
Electrical Specifications: $V_{DD} = 5V$ , $t_r = t_f \leq 5$ ns, 50% duty cycle and $C_{LOAD} = 20$ pF unless otherwise noted.											
Parameter	Sym.	0°C		25°C			70°C		Unit	Conditions	
		Min.	Max.	Min.	Typ.	Max.	Min.	Max.			
Output Switch Isolation Diode Current	$I_{ID}$	—	300	—	—	300	—	300	mA	300 ns pulse width, 2% duty cycle (See Section 3.1 “Test Circuits”).	
OFF Capacitance SW to GND	$C_{SG(OFF)}$	—	15	—	10	15	—	15	pF	0V, $f = 1$ MHz	
ON Capacitance SW to GND	$C_{SG(ON)}$	—	18	—	13	18	—	18	pF	0V, $f = 1$ MHz	
Output Voltage Spike	$+V_{SPK}$	—	—	—	—	150	—	—	mV	$V_{PP} = +40V$ , $V_{NN} = -160V$ , $R_{LOAD} = 50\Omega$ (See Section 3.1 “Test Circuits”).	
	$-V_{SPK}$	—	—	—	—		—	—	mV		
	$+V_{SPK}$	—	—	—	—	150	—	—	mV		
	$-V_{SPK}$	—	—	—	—		—	—	mV		
	$+V_{SPK}$	—	—	—	—	150	—	—	mV		$V_{PP} = +100V$ , $V_{NN} = -100V$ , $R_{LOAD} = 50\Omega$ (See Section 3.1 “Test Circuits”).
	$-V_{SPK}$	—	—	—	—		—	—	mV		
Charge Injection	QC	—	—	—	820	—	—	—	pC	$V_{PP} = +40V$ , $V_{NN} = -160V$ , $V_{SIG} = 0V$ (See Section 3.1 “Test Circuits”).	
		—	—	—	600	—	—	—	pC	$V_{PP} = +100V$ , $V_{NN} = -100V$ , $V_{SIG} = 0V$ (See Section 3.1 “Test Circuits”).	
		—	—	—	350	—	—	—	pC	$V_{PP} = +160V$ , $V_{NN} = -40V$ , $V_{SIG} = 0V$ (See Section 3.1 “Test Circuits”).	

## TEMPERATURE SPECIFICATIONS

Electrical Specifications: Unless otherwise specified, for all specifications $T_A = T_J = +25^\circ\text{C}$ .						
Parameter	Sym.	Min.	Typ.	Max.	Unit	Conditions
<b>TEMPERATURE RANGE</b>						
Operating Ambient Temperature	$T_A$	0	—	70	$^\circ\text{C}$	
Storage Temperature	$T_S$	-65	—	150	$^\circ\text{C}$	
<b>PACKAGE THERMAL RESISTANCE</b>						
48-lead LQFP	$\theta_{JA}$	—	52	—	$^\circ\text{C/W}$	Note 1

**Note 1:** Mounted on an FR-4 board, 25 mm x 25 mm x 1.57 mm

## Timing Waveforms



# HV2605/HV2705

## 2.0 PIN DESCRIPTION

The description of pins in the 42-ball bumped die and 48-lead LQFP packages are listed on [Table 2-1](#) and [Table 2-2](#), respectively. The locations of the pads/balls are listed in [Package Types](#).

**TABLE 2-1: 42-BALL BUMPED DIE PIN FUNCTION TABLE**

Pin Number	HV2605 Pin Name	HV2705 Pin Name	Description
1	NC	—	No connection
	—	RGND	Ground for bleed resistor
2	VPP	VPP	Positive supply voltage
3	VNN	VNN	Negative supply voltage
4	DOUT	DOUT	Data out logic output
5	CLR	CLR	Latch clear logic input
6	CLK	CLK	Clock logic input for Shift register
7	GND	GND	Ground
8	SW15A	SW15A	Analog Switch 15 Terminal A
9	SW15B	SW15B	Analog Switch 15 Terminal B
10	LE	LE	Latch enable logic input, low active
11	VDD	VDD	Logic supply voltage
12	SW0A	SW0A	Analog Switch 0 Terminal A
13	SW0B	SW0B	Analog Switch 0 Terminal B
14	SW14A	SW14A	Analog Switch 14 Terminal A
15	SW14B	SW14B	Analog Switch 14 Terminal B
16	DIN	DIN	Data in logic input
17	SW1A	SW1A	Analog Switch 1 Terminal A
18	SW1B	SW1B	Analog Switch 1 Terminal B
19	SW13A	SW13A	Analog Switch 13 Terminal A
20	SW13B	SW13B	Analog Switch 13 Terminal B
21	SW2A	SW2A	Analog Switch 2 Terminal A
22	SW2B	SW2B	Analog Switch 2 Terminal B
23	SW12A	SW12A	Analog Switch 12 Terminal A
24	SW12B	SW12B	Analog Switch 12 Terminal B
25	SW3A	SW3A	Analog Switch 3 Terminal A
26	SW3B	SW3B	Analog Switch 3 Terminal B
27	SW11A	SW11A	Analog Switch 11 Terminal A
28	SW11B	SW11B	Analog Switch 11 Terminal B
29	SW9B	SW9B	Analog Switch 9 Terminal B
30	SW8B	SW8B	Analog Switch 8 Terminal B
31	SW7A	SW7A	Analog Switch 7 Terminal A
32	SW6A	SW6A	Analog Switch 6 Terminal A
33	SW4A	SW4A	Analog Switch 4 Terminal A
34	SW4B	SW4B	Analog Switch 4 Terminal B
35	SW10B	SW10B	Analog Switch 10 Terminal B
36	SW10A	SW10A	Analog Switch 10 Terminal A
37	SW9A	SW9A	Analog Switch 9 Terminal A
38	SW8A	SW8A	Analog Switch 8 terminal A



# HV2605/HV2705

**TABLE 2-1: 42-BALL BUMPED DIE PIN FUNCTION TABLE**

Pin Number	HV2605 Pin Name	HV2705 Pin Name	Description
39	SW7B	SW7B	Analog Switch 7 Terminal B
40	SW6B	SW6B	Analog Switch 6 Terminal B
41	SW5B	SW5B	Analog Switch 5 Terminal B
42	SW5A	SW5A	Analog Switch 5 Terminal A

**TABLE 2-2: 48-LEAD LQFP PIN FUNCTION TABLE**

Pin Number	HV2605 Pin Name	HV2705 Pin Name	Description
1	NC	NC	No connection
2	NC	NC	No connection
3	SW4B	SW4B	Analog Switch 4 Terminal B
4	SW4A	SW4A	Analog Switch 4 Terminal A
5	SW3B	SW3B	Analog Switch 3 Terminal B
6	SW3A	SW3A	Analog Switch 3 Terminal A
7	SW2B	SW2B	Analog Switch 2 Terminal B
8	SW2A	SW2A	Analog Switch 2 Terminal A
9	SW1B	SW1B	Analog Switch 1 Terminal B
10	SW1A	SW1A	Analog Switch 1 Terminal A
11	SW0B	SW0B	Analog Switch 0 Terminal B
12	SW0A	SW0A	Analog Switch 0 Terminal A
13	VNN	VNN	Negative supply voltage
14	NC	NC	No connection
15	VPP	VPP	Positive supply voltage
16	NC	NC	No connection
17	GND	GND	Ground
18	VDD	VDD	Logic supply voltage
19	DIN	DIN	Data in logic input
20	CLK	CLK	Clock logic input for Shift register
21	LE	LE	Latch-enable logic input, low active
22	CLR	CLR	Latch clear logic input
23	DOUT	DOUT	Data out logic output
24	NC	—	No connection
	—	RGND	Ground for bleed resistor
25	SW15B	SW15B	Analog Switch 15 Terminal B
26	SW15A	SW15A	Analog Switch 15 Terminal A
27	SW14B	SW14B	Analog Switch 14 Terminal B
28	SW14A	SW14A	Analog Switch 14 Terminal A
29	SW13B	SW13B	Analog Switch 13 Terminal B
30	SW13A	SW13A	Analog Switch 13 Terminal A
31	SW12B	SW12B	Analog Switch 12 Terminal B
32	SW12A	SW12A	Analog Switch 12 Terminal A
33	SW11B	SW11B	Analog Switch 11 Terminal B
34	SW11A	SW11A	Analog Switch 11 Terminal A

# HV2605/HV2705

---

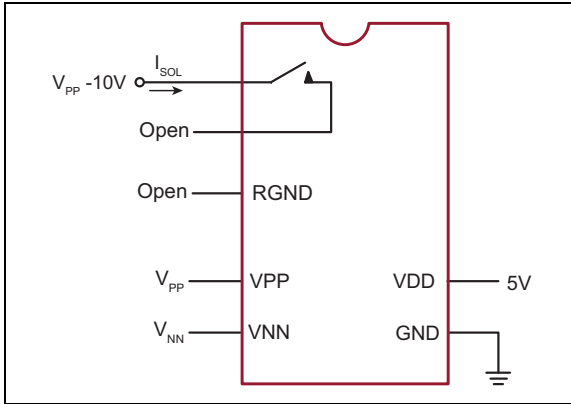
**TABLE 2-2: 48-LEAD LQFP PIN FUNCTION TABLE**

Pin Number	HV2605 Pin Name	HV2705 Pin Name	Description
35	NC	NC	No connection
36	NC	NC	No connection
37	SW10B	SW10B	Analog Switch 10 Terminal B
38	SW10A	SW10A	Analog Switch 10 Terminal A
39	SW9B	SW9B	Analog Switch 9 Terminal B
40	SW9A	SW9A	Analog Switch 9 Terminal A
41	SW8B	SW8B	Analog Switch 8 Terminal B
42	SW8A	SW8A	Analog Switch 8 Terminal A
43	SW7B	SW7B	Analog Switch 7 Terminal B
44	SW7A	SW7A	Analog Switch 7 Terminal A
45	SW6B	SW6B	Analog Switch 6 Terminal B
46	SW6A	SW6A	Analog Switch 6 Terminal A
47	SW5B	SW5B	Analog Switch 5 Terminal B
48	SW5A	SW5A	Analog Switch 5 Terminal A

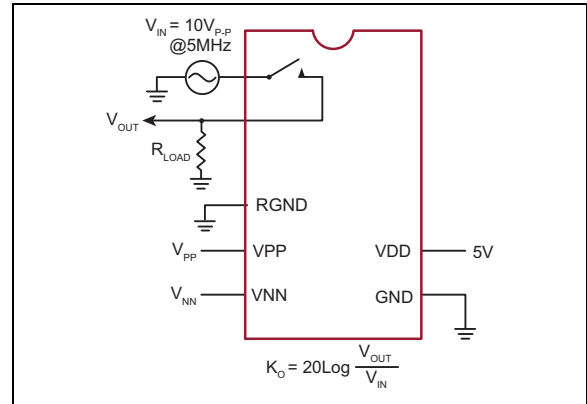
## 3.0 FUNCTIONAL DESCRIPTION

### 3.1 Test Circuits

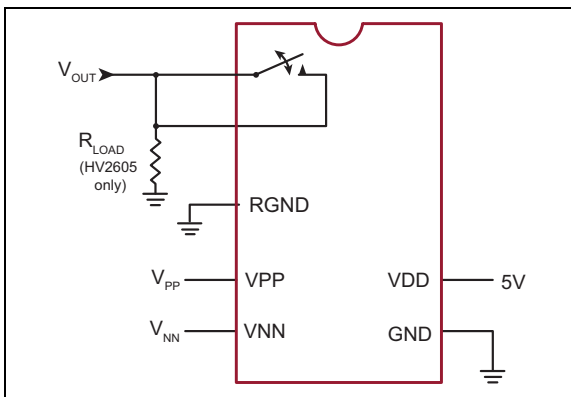
Figure 3-1 to Figure 3-8 show the test circuits for HV2605/HV2705.



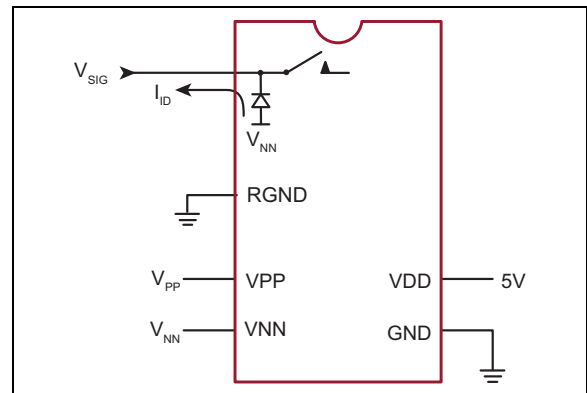
**FIGURE 3-1:** Switch Off Leakage per Switch.



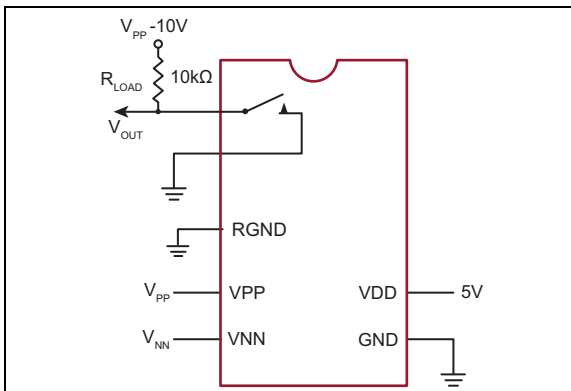
**FIGURE 3-4:** Off Isolation.



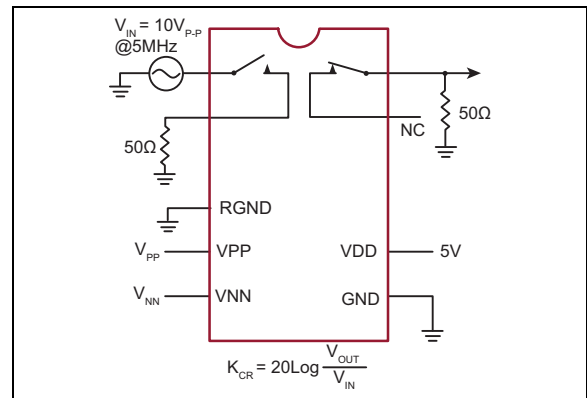
**FIGURE 3-2:** Switch DC Offset.



**FIGURE 3-5:** Output Switch Isolation Diode Current.

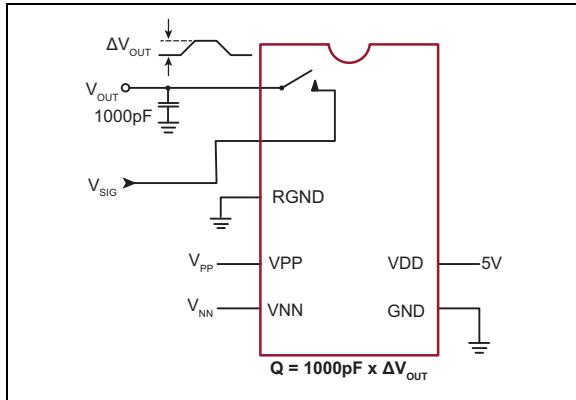


**FIGURE 3-3:**  $T_{ON}/T_{OFF}$  Test Circuit.

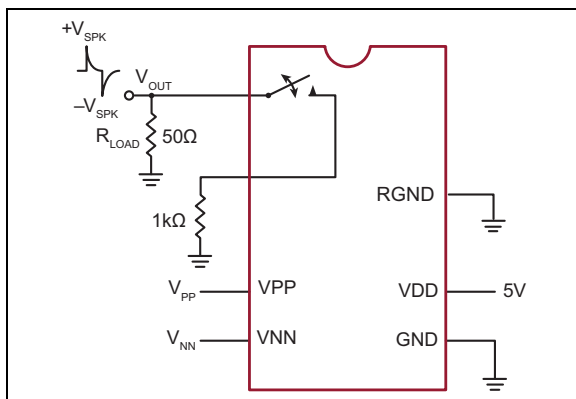


**FIGURE 3-6:** Switch Crosstalk.

# HV2605/HV2705



**FIGURE 3-7:** Charge Injection.



**FIGURE 3-8:** Output Voltage Spike.

**TABLE 3-1: TRUTH FUNCTION TABLE**

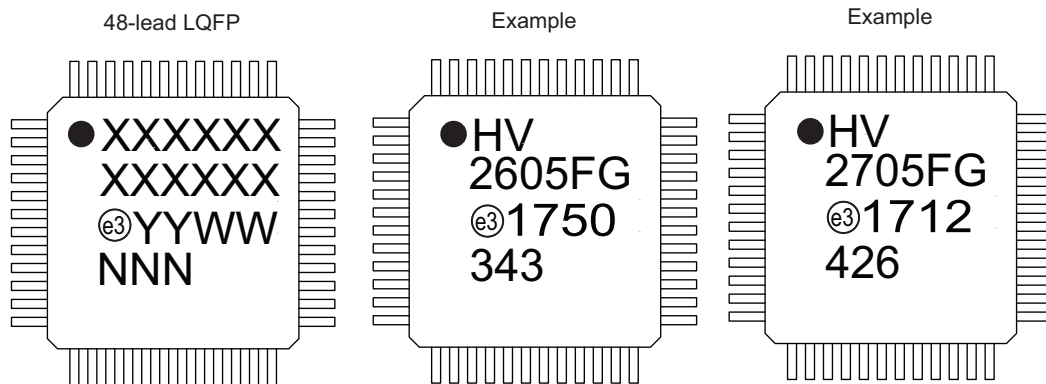
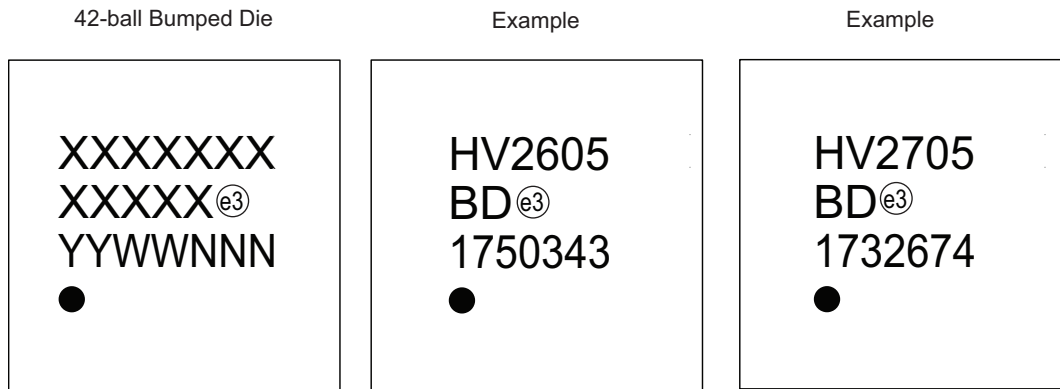
D0	D1	...	D7	D8	...	D15	$\overline{LE}$	CLR	SW0	SW1	...	SW7	SW8	...	SW15
L	—		—	—		—	L	L	OFF	—		—	—		—
H	—		—	—		—	L	L	ON	—		—	—		—
—	L		—	—		—	L	L	—	OFF		—	—		—
—	H		—	—		—	L	L	—	ON		—	—		—
—	—		—	—		—	L	L	—	—		—	—		—
—	—		—	—		—	L	L	—	—		—	—		—
—	—		L	—		—	L	L	—	—		OFF	—		—
—	—		H	—		—	L	L	—	—		ON	—		—
—	—	...	—	L	...	—	L	L	—	—	...	—	OFF	...	—
—	—		—	H		—	L	L	—	—		—	ON		—
—	—		—	—		—	L	L	—	—		—	—		—
—	—		—	—		—	L	L	—	—		—	—		—
—	—		—	—		—	L	L	—	—		—	—		—
—	—		—	—		—	L	L	—	—		—	—		—
—	—		—	—		—	L	L	—	—		—	—		—
—	—		—	—		L	L	L	—	—		—	—		OFF
—	—		—	—		H	L	L	—	—		—	—		ON
X	X	X	X	X	X	X	H	L	HOLD PREVIOUS STATE						
X	X	X	X	X	X	X	X	H	ALL SWITCHES OFF						

- Note 1:** The 16 switches operate independently.
- 2:** Serial data is clocked in on the low-to-high transition of the clock.
- 3:** All 16 switches go to a state retaining their latched condition at the rising edge of  $\overline{LE}$ . When  $\overline{LE}$  is low, the Shift registers data flow through the latch.
- 4:**  $D_{OUT}$  is high when data in the Shift register 15 is high.
- 5:** Shift registers clocking has no effect on the switch states if  $\overline{LE}$  is high.
- 6:** The CLR clear input overrides all other inputs.

# HV2605/HV2705

## 4.0 PACKAGING INFORMATION

### 4.1 Package Marking Information

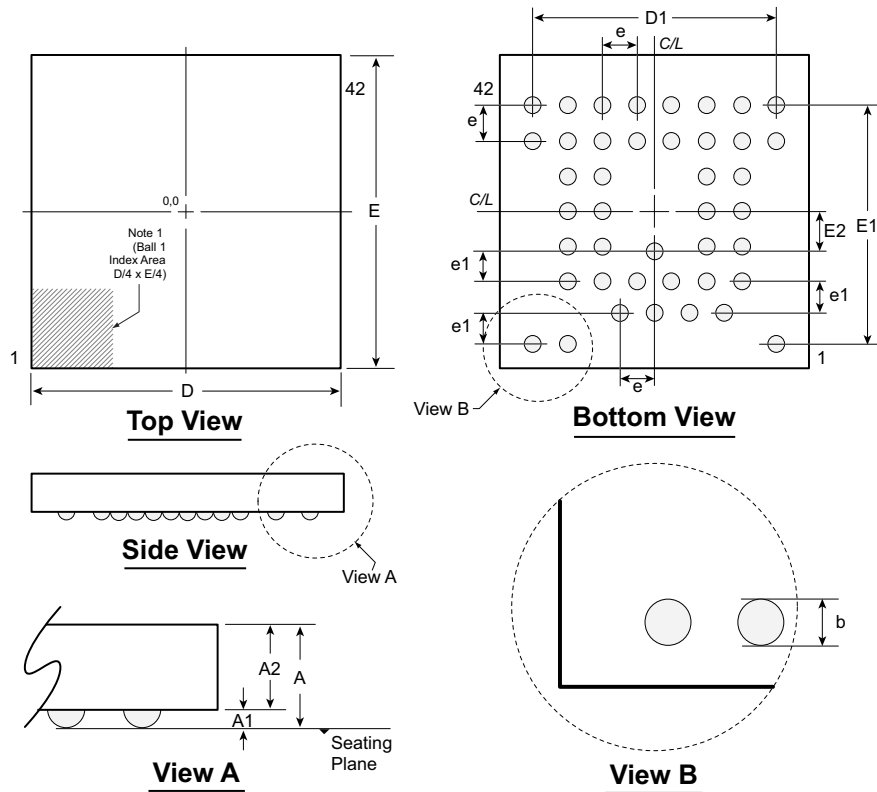


**Legend:** XX...X Product Code or Customer-specific information  
Y Year code (last digit of calendar year)  
YY Year code (last 2 digits of calendar year)  
WW Week code (week of January 1 is week '01')  
NNN Alphanumeric traceability code  
<sup>e3</sup> Pb-free JEDEC<sup>®</sup> designator for Matte Tin (Sn)  
\* This package is Pb-free. The Pb-free JEDEC designator (<sup>e3</sup>) can be found on the outer packaging for this package.

**Note:** In the event the full Microchip part number cannot be marked on one line, it will be carried over to the next line, thus limiting the number of available characters for product code or customer-specific information. Package may or not include the corporate logo.

## 42-Ball Bumped Die Package Outline (BD)

5.29x5.30mm body, 1.02mm height (max), 0.52 / 0.60mm pitch



**Notes:** For the most current package drawings, See the Microchip Packaging Specification at [www.microchip.com/packaging](http://www.microchip.com/packaging).

**Notes:**

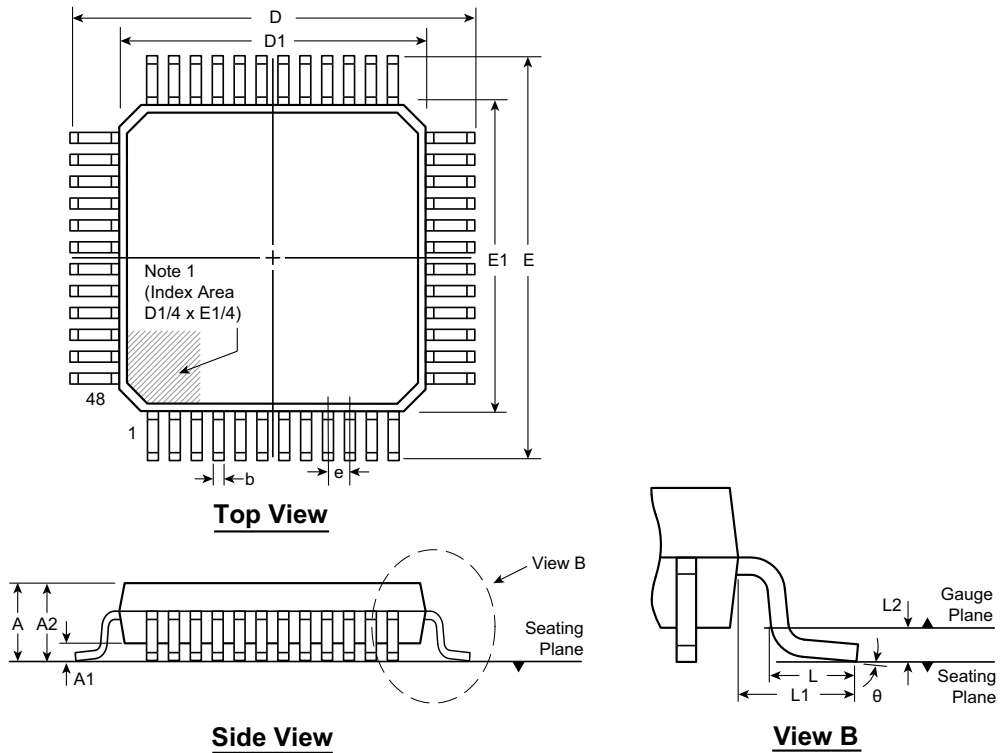
- Ball 1 identifier must be located in the index area indicated. Ball 1 identifier can be: a molded mark/identifier; an embedded metal marker; or a printed indicator.

Symbol	A	A1	A2	b	D	D1	E	E1	E2	e	e1	
Dimension (mm)	MIN	0.91	0.21	0.70	0.29	5.19	4.20 BSC	5.20	4.04 BSC	0.68 BSC	0.60 BSC	0.52 BSC
	NOM	0.965	0.24	0.725	0.32	5.29		5.30				
	MAX	1.02	0.27	0.75	0.35	5.39		5.40				

**Note:** For more information about ball coordinates, contact Microchip sales.

# HV2605/HV2705

## 48-Lead LQFP Package Outline (FG) 7.00x7.00mm body, 1.60mm height (max), 0.50mm pitch



Note: For the most current package drawings, see the Microchip Packaging Specification at [www.microchip.com/packaging](http://www.microchip.com/packaging).

**Note:**

1. A Pin 1 identifier must be located in the index area indicated. The Pin 1 identifier can be: a molded mark/identifier; an embedded metal marker; or a printed indicator.

Symbol	A	A1	A2	b	D	D1	E	E1	e	L	L1	L2	$\theta$		
Dimension (mm)	MIN	1.40*	0.05	1.35	0.17	8.80*	6.80*	8.80*	6.80*	0.50 BSC	0.45	1.00 REF	0.25	BSC	0°
	NOM	-	-	1.40	0.22	9.00	7.00	9.00	7.00		0.60		3.5°		
	MAX	1.60	0.15	1.45	0.27	9.20*	7.20*	9.20*	7.20*		0.75		7°		

JEDEC Registration MS-026, Variation BBC, Issue D, Jan. 2001.

\* This dimension is not specified in the JEDEC drawing.

Drawings are not to scale.



## APPENDIX A: REVISION HISTORY

### Revision A (November 2017)

- Converted Supertex Doc # DSFP-HV2605 and Doc # DSFP-HV2705-HV2706 to Microchip DS20005498A
- Removed HV2706 from the document. HV2706 is EOL.
- Combined HV2605 and HV2705 into one document
- Changed the package marking format
- Added information for 42-Ball Bumped Die package
- Removed the “HVCMOS technology for high performance” in the Features section
- Made minor text changes throughout the document

# HV2605/HV2705

## PRODUCT IDENTIFICATION SYSTEM

To order or obtain information, e.g., on pricing or delivery, refer to the factory or the listed sales office.

<u>PART NO.</u>	<u>XX</u>	-	<u>X</u>	-	<u>X</u>																																																
Device	Package		Environmental		Media Type																																																
<table border="1" style="width: 100%; border-collapse: collapse;"> <tr> <td style="width: 20%;">Devices:</td> <td style="width: 10%;">HV2605 =</td> <td style="width: 10%;">16-Channel Low Harmonic Distortion High-Voltage Analog Switch</td> <td style="width: 10%;"></td> <td style="width: 10%;"></td> <td style="width: 10%;"></td> </tr> <tr> <td></td> <td>HV2705 =</td> <td>16-Channel Low Harmonic Distortion High-Voltage Analog Switch with Bleed Resistors</td> <td></td> <td></td> <td></td> </tr> <tr> <td>Packages:</td> <td>BD</td> <td>= 42-Ball Bumped Die</td> <td></td> <td></td> <td></td> </tr> <tr> <td></td> <td>FG</td> <td>= 48-lead LQFP</td> <td></td> <td></td> <td></td> </tr> <tr> <td>Environmental:</td> <td>G</td> <td>= Lead (Pb)-free/RoHS-compliant package (not used for BD packages)</td> <td></td> <td></td> <td></td> </tr> <tr> <td>Media Types:</td> <td>(blank)</td> <td>= 250/Tray for an FG package</td> <td></td> <td></td> <td></td> </tr> <tr> <td></td> <td>M931</td> <td>= 1000/Reel for an FG package</td> <td></td> <td></td> <td></td> </tr> <tr> <td></td> <td>M936</td> <td>= 2500/Reel for a BD package</td> <td></td> <td></td> <td></td> </tr> </table>						Devices:	HV2605 =	16-Channel Low Harmonic Distortion High-Voltage Analog Switch					HV2705 =	16-Channel Low Harmonic Distortion High-Voltage Analog Switch with Bleed Resistors				Packages:	BD	= 42-Ball Bumped Die					FG	= 48-lead LQFP				Environmental:	G	= Lead (Pb)-free/RoHS-compliant package (not used for BD packages)				Media Types:	(blank)	= 250/Tray for an FG package					M931	= 1000/Reel for an FG package					M936	= 2500/Reel for a BD package			
Devices:	HV2605 =	16-Channel Low Harmonic Distortion High-Voltage Analog Switch																																																			
	HV2705 =	16-Channel Low Harmonic Distortion High-Voltage Analog Switch with Bleed Resistors																																																			
Packages:	BD	= 42-Ball Bumped Die																																																			
	FG	= 48-lead LQFP																																																			
Environmental:	G	= Lead (Pb)-free/RoHS-compliant package (not used for BD packages)																																																			
Media Types:	(blank)	= 250/Tray for an FG package																																																			
	M931	= 1000/Reel for an FG package																																																			
	M936	= 2500/Reel for a BD package																																																			
<p><b>Examples:</b></p> <p>a) HV2605FG-G: 16-Channel Low Harmonic Distortion High-Voltage Analog Switch, 48-lead LQFP Package, 250/Tray</p> <p>b) HV2605FG-G-M931: 16-Channel Low Harmonic Distortion High-Voltage Analog Switch, 48-lead LQFP Package, 1000/Reel</p> <p>c) HV2705BD-M936: 16-Channel Low Harmonic Distortion High-Voltage Analog Switch with Bleed Resistors, 42-ball Bumped Die, 2500/Reel</p>																																																					

**Note:** HV2605BD and HV2705BD are RoHS-compliant products

---

---

**Note the following details of the code protection feature on Microchip devices:**

- Microchip products meet the specification contained in their particular Microchip Data Sheet.
- Microchip believes that its family of products is one of the most secure families of its kind on the market today, when used in the intended manner and under normal conditions.
- There are dishonest and possibly illegal methods used to breach the code protection feature. All of these methods, to our knowledge, require using the Microchip products in a manner outside the operating specifications contained in Microchip's Data Sheets. Most likely, the person doing so is engaged in theft of intellectual property.
- Microchip is willing to work with the customer who is concerned about the integrity of their code.
- Neither Microchip nor any other semiconductor manufacturer can guarantee the security of their code. Code protection does not mean that we are guaranteeing the product as “unbreakable.”

Code protection is constantly evolving. We at Microchip are committed to continuously improving the code protection features of our products. Attempts to break Microchip's code protection feature may be a violation of the Digital Millennium Copyright Act. If such acts allow unauthorized access to your software or other copyrighted work, you may have a right to sue for relief under that Act.

---

Information contained in this publication regarding device applications and the like is provided only for your convenience and may be superseded by updates. It is your responsibility to ensure that your application meets with your specifications. MICROCHIP MAKES NO REPRESENTATIONS OR WARRANTIES OF ANY KIND WHETHER EXPRESS OR IMPLIED, WRITTEN OR ORAL, STATUTORY OR OTHERWISE, RELATED TO THE INFORMATION, INCLUDING BUT NOT LIMITED TO ITS CONDITION, QUALITY, PERFORMANCE, MERCHANTABILITY OR FITNESS FOR PURPOSE. Microchip disclaims all liability arising from this information and its use. Use of Microchip devices in life support and/or safety applications is entirely at the buyer's risk, and the buyer agrees to defend, indemnify and hold harmless Microchip from any and all damages, claims, suits, or expenses resulting from such use. No licenses are conveyed, implicitly or otherwise, under any Microchip intellectual property rights unless otherwise stated.

*Microchip received ISO/TS-16949:2009 certification for its worldwide headquarters, design and wafer fabrication facilities in Chandler and Tempe, Arizona; Gresham, Oregon and design centers in California and India. The Company's quality system processes and procedures are for its PIC® MCUs and dsPIC® DSCs, KEELOQ® code hopping devices, Serial EEPROMs, microperipherals, nonvolatile memory and analog products. In addition, Microchip's quality system for the design and manufacture of development systems is ISO 9001:2000 certified.*

**QUALITY MANAGEMENT SYSTEM  
CERTIFIED BY DNV  
= ISO/TS 16949 =**

### Trademarks

The Microchip name and logo, the Microchip logo, AnyRate, AVR, AVR logo, AVR Freaks, BeaconThings, BitCloud, CryptoMemory, CryptoRF, dsPIC, FlashFlex, flexPWR, Helder, JukeBlox, KEELOQ, KEELOQ logo, Klear, LANCheck, LINK MD, maXStylus, maXTouch, MediaLB, megaAVR, MOST, MOST logo, MPLAB, OptoLyzer, PIC, picoPower, PICSTART, PIC32 logo, Prochip Designer, QTouch, RightTouch, SAM-BA, SpyNIC, SST, SST Logo, SuperFlash, tinyAVR, UNI/O, and XMEGA are registered trademarks of Microchip Technology Incorporated in the U.S.A. and other countries.

ClockWorks, The Embedded Control Solutions Company, EtherSynch, Hyper Speed Control, HyperLight Load, IntelliMOS, mTouch, Precision Edge, and Quiet-Wire are registered trademarks of Microchip Technology Incorporated in the U.S.A.

Adjacent Key Suppression, AKS, Analog-for-the-Digital Age, Any Capacitor, AnyIn, AnyOut, BodyCom, chipKIT, chipKIT logo, CodeGuard, CryptoAuthentication, CryptoCompanion, CryptoController, dsPICDEM, dsPICDEM.net, Dynamic Average Matching, DAM, ECAN, EtherGREEN, In-Circuit Serial Programming, ICSP, Inter-Chip Connectivity, JitterBlocker, KlearNet, KlearNet logo, Mindi, MiWi, motorBench, MPASM, MPF, MPLAB Certified logo, MPLIB, MPLINK, MultiTRAK, NetDetach, Omniscient Code Generation, PICDEM, PICDEM.net, PICKit, PICTail, PureSilicon, QMatrix, RightTouch logo, REAL ICE, Ripple Blocker, SAM-ICE, Serial Quad I/O, SMART-I.S., SQI, SuperSwitcher, SuperSwitcher II, Total Endurance, TSHARC, USBCheck, VariSense, ViewSpan, WiperLock, Wireless DNA, and ZENA are trademarks of Microchip Technology Incorporated in the U.S.A. and other countries.

SQTP is a service mark of Microchip Technology Incorporated in the U.S.A.

Silicon Storage Technology is a registered trademark of Microchip Technology Inc. in other countries.

GestIC is a registered trademark of Microchip Technology Germany II GmbH & Co. KG, a subsidiary of Microchip Technology Inc., in other countries.

All other trademarks mentioned herein are property of their respective companies.

© 2017, Microchip Technology Incorporated, All Rights Reserved.  
ISBN: 978-1-5224-2345-4



# MICROCHIP

## Worldwide Sales and Service

### AMERICAS

**Corporate Office**  
2355 West Chandler Blvd.  
Chandler, AZ 85224-6199  
Tel: 480-792-7200  
Fax: 480-792-7277  
Technical Support:  
<http://www.microchip.com/support>  
Web Address:  
[www.microchip.com](http://www.microchip.com)

#### Atlanta

Duluth, GA  
Tel: 678-957-9614  
Fax: 678-957-1455

#### Austin, TX

Tel: 512-257-3370

#### Boston

Westborough, MA  
Tel: 774-760-0087  
Fax: 774-760-0088

#### Chicago

Itasca, IL  
Tel: 630-285-0071  
Fax: 630-285-0075

#### Dallas

Addison, TX  
Tel: 972-818-7423  
Fax: 972-818-2924

#### Detroit

Novi, MI  
Tel: 248-848-4000

#### Houston, TX

Tel: 281-894-5983

#### Indianapolis

Noblesville, IN  
Tel: 317-773-8323  
Fax: 317-773-5453  
Tel: 317-536-2380

#### Los Angeles

Mission Viejo, CA  
Tel: 949-462-9523  
Fax: 949-462-9608  
Tel: 951-273-7800

#### Raleigh, NC

Tel: 919-844-7510

#### New York, NY

Tel: 631-435-6000

#### San Jose, CA

Tel: 408-735-9110  
Tel: 408-436-4270

#### Canada - Toronto

Tel: 905-695-1980  
Fax: 905-695-2078

### ASIA/PACIFIC

**Australia - Sydney**  
Tel: 61-2-9868-6733

**China - Beijing**  
Tel: 86-10-8569-7000

**China - Chengdu**  
Tel: 86-28-8665-5511

**China - Chongqing**  
Tel: 86-23-8980-9588

**China - Dongguan**  
Tel: 86-769-8702-9880

**China - Guangzhou**  
Tel: 86-20-8755-8029

**China - Hangzhou**  
Tel: 86-571-8792-8115

**China - Hong Kong SAR**  
Tel: 852-2943-5100

**China - Nanjing**  
Tel: 86-25-8473-2460

**China - Qingdao**  
Tel: 86-532-8502-7355

**China - Shanghai**  
Tel: 86-21-3326-8000

**China - Shenyang**  
Tel: 86-24-2334-2829

**China - Shenzhen**  
Tel: 86-755-8864-2200

**China - Suzhou**  
Tel: 86-186-6233-1526

**China - Wuhan**  
Tel: 86-27-5980-5300

**China - Xian**  
Tel: 86-29-8833-7252

**China - Xiamen**  
Tel: 86-592-2388138

**China - Zhuhai**  
Tel: 86-756-3210040

### ASIA/PACIFIC

**India - Bangalore**  
Tel: 91-80-3090-4444

**India - New Delhi**  
Tel: 91-11-4160-8631

**India - Pune**  
Tel: 91-20-4121-0141

**Japan - Osaka**  
Tel: 81-6-6152-7160

**Japan - Tokyo**  
Tel: 81-3-6880-3770

**Korea - Daegu**  
Tel: 82-53-744-4301

**Korea - Seoul**  
Tel: 82-2-554-7200

**Malaysia - Kuala Lumpur**  
Tel: 60-3-7651-7906

**Malaysia - Penang**  
Tel: 60-4-227-8870

**Philippines - Manila**  
Tel: 63-2-634-9065

**Singapore**  
Tel: 65-6334-8870

**Taiwan - Hsin Chu**  
Tel: 886-3-577-8366

**Taiwan - Kaohsiung**  
Tel: 886-7-213-7830

**Taiwan - Taipei**  
Tel: 886-2-2508-8600

**Thailand - Bangkok**  
Tel: 66-2-694-1351

**Vietnam - Ho Chi Minh**  
Tel: 84-28-5448-2100

### EUROPE

**Austria - Wels**  
Tel: 43-7242-2244-39  
Fax: 43-7242-2244-393

**Denmark - Copenhagen**  
Tel: 45-4450-2828  
Fax: 45-4485-2829

**Finland - Espoo**  
Tel: 358-9-4520-820

**France - Paris**  
Tel: 33-1-69-53-63-20  
Fax: 33-1-69-30-90-79

**Germany - Garching**  
Tel: 49-8931-9700

**Germany - Haan**  
Tel: 49-2129-3766400

**Germany - Heilbronn**  
Tel: 49-7131-67-3636

**Germany - Karlsruhe**  
Tel: 49-721-625370

**Germany - Munich**  
Tel: 49-89-627-144-0  
Fax: 49-89-627-144-44

**Germany - Rosenheim**  
Tel: 49-8031-354-560

**Israel - Ra'anana**  
Tel: 972-9-744-7705

**Italy - Milan**  
Tel: 39-0331-742611  
Fax: 39-0331-466781

**Italy - Padova**  
Tel: 39-049-7625286

**Netherlands - Drunen**  
Tel: 31-416-690399  
Fax: 31-416-690340

**Norway - Trondheim**  
Tel: 47-7289-7561

**Poland - Warsaw**  
Tel: 48-22-3325737

**Romania - Bucharest**  
Tel: 40-21-407-87-50

**Spain - Madrid**  
Tel: 34-91-708-08-90  
Fax: 34-91-708-08-91

**Sweden - Gothenberg**  
Tel: 46-31-704-60-40

**Sweden - Stockholm**  
Tel: 46-8-5090-4654

**UK - Wokingham**  
Tel: 44-118-921-5800  
Fax: 44-118-921-5820