
SAMA5D2-PTC-EK User's Guide

Scope

This user's guide describes how to use the SAMA5D2 PTC Evaluation Kit (SAMA5D2-PTC-EK).

The SAMA5D2-PTC-EK is used to evaluate the capabilities of the Peripheral Touch Controller (PTC) designed for the SAMA5D2 series of embedded MPUs. Refer to the Configuration Summary table in the SAMA5D2 Series Datasheet for the list of MPUs featuring PTC.

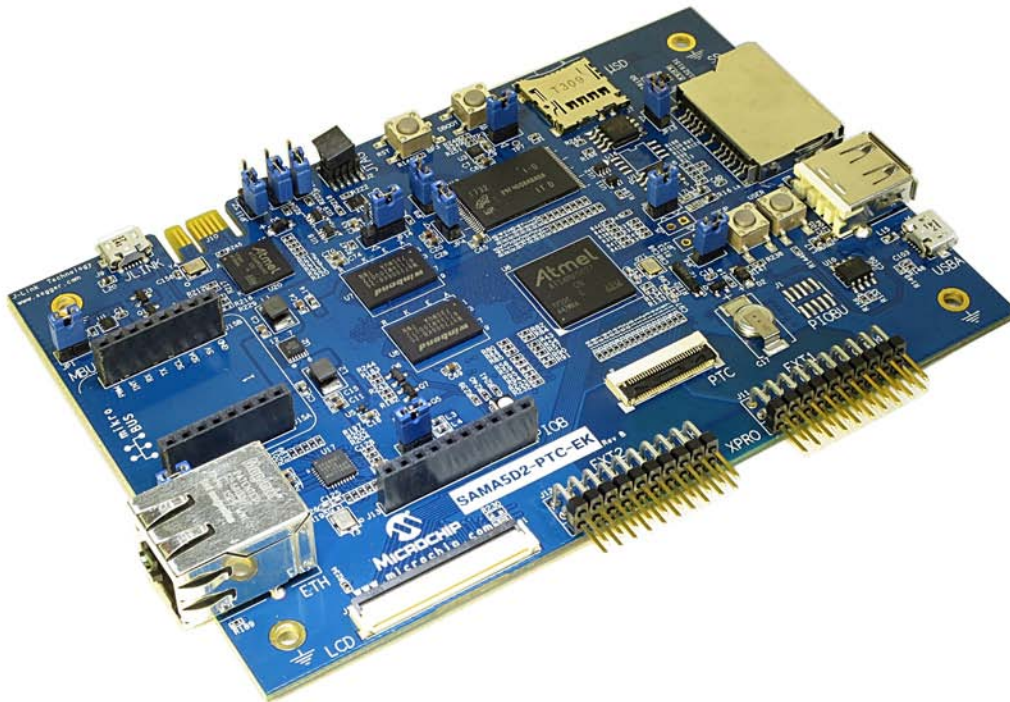


Table of Contents

| | |
|---|----|
| Scope..... | 1 |
| 1. Introduction..... | 3 |
| 1.1. Document Layout..... | 3 |
| 1.2. Recommended Reading..... | 3 |
| 2. Product Overview..... | 4 |
| 2.1. SAMA5D2-PTC-EK Features..... | 4 |
| 2.2. SAMA5D2-PTC-EK Content..... | 5 |
| 2.3. Evaluation Kit Specifications..... | 5 |
| 2.4. Power Sources..... | 5 |
| 3. Board Components..... | 6 |
| 3.1. Board Overview..... | 6 |
| 3.2. Function Blocks..... | 9 |
| 3.3. External Interfaces..... | 31 |
| 3.4. Debugging Capabilities..... | 35 |
| 3.5. PIO Usage on Expansion Connectors..... | 40 |
| 4. Installation and Operation..... | 48 |
| 4.1. System and Configuration Requirements..... | 48 |
| 4.2. Board Setup..... | 48 |
| 5. Appendix A. Schematics and Layouts..... | 49 |
| 6. Revision History..... | 62 |
| 6.1. Rev. A - 12/2017..... | 62 |
| The Microchip Web Site..... | 63 |
| Customer Change Notification Service..... | 63 |
| Customer Support..... | 63 |
| Microchip Devices Code Protection Feature..... | 63 |
| Legal Notice..... | 64 |
| Trademarks..... | 64 |
| Quality Management System Certified by DNV..... | 65 |
| Worldwide Sales and Service..... | 66 |

1. Introduction

1.1 Document Layout

The document is organized as follows:

- Chapter 1. "Introduction"
- Chapter 2. "Product Overview" – Important information about the SAMA5D2-PTC-EK board
- Chapter 3. "Board Components" – Specifications of the SAMA5D2-PTC-EK and high-level description of the major components and interfaces
- Chapter 4. "Installation and Operation" – Instructions on how to get started with the SAMA5D2-PTC-EK
- Appendix A. "Schematics and Layouts" – SAMA5D2-PTC-EK schematics and layout diagrams

1.2 Recommended Reading

The following Microchip document is available and recommended as a supplemental reference resource:

- SAMA5D2 Series Datasheet. Lit. Number DS60001476

2. Product Overview

2.1 SAMA5D2-PTC-EK Features

The SAMA5D2-PTC-EK follows the Microchip MPU strategy for low cost evaluation kits with maximum reuse capability, and is built on the SAMA5D2 Xplained Ultra (XULT) hardware and software ecosystem. This board is mainly dedicated to evaluating the Peripheral Touch Controller capabilities.

Table 2-1. SAMA5D2-PTC-EK Features

| Characteristics | Specifications | Components |
|-----------------|---|---|
| Processor | SAMA5D27-CU (289-ball BGA) 14x14mm body, 0.8mm pitch | – |
| Clock speed | MPU: 24 MHz, 32.768 KHz PHY: Crystal 25 MHz | – |
| Memory | Two 16-bit, 2-Gbit DDR2 One 4-Gbit Nand Flash One QSPI Flash One Serial Data Flash (optional) One EEPROM | Winbond W972GG6KB-25 Micron MT29F4G08 Microchip SST26VF064B Microchip SST26VF032B Microchip 24AA02E48 |
| Display | One LCD interface connector | RGB, 18 bits |
| SD/MMC | One standard SD card interface One microSD card interface | With 3.3V/1.8V power switch – |
| USB | One USB host type A One USB device type MicroAB One USB HSIC | With 5V power switch – Connector not mounted |
| Ethernet | One ETH PHY | Micrel KSZ8081RN |
| Debug Port | One JLINK-OB/ JLINK-CDC One JTAG interface | Embedded JLINK-OB and JLINK-CDC (ATSAM3U4C TFBGA100) |
| Board Monitor | One RGB (Red, Green, Blue) LED Four push button switches | – DisableBoot, Reset, WakeUp, User Free |
| Expansion | One set of XPRO WINGS connectors One ITO FLEX connector One Port B connector One PIOBU connector One mikroBUS connector | Dedicated PTC QTouch Optional Optional Optional – |

| Characteristics | Specifications | Components |
|---------------------|-----------------------------|--------------------------|
| Board Supply | From USB A and USB JLINK-OB | 5VDC |
| Backup Power Supply | SuperCap | ELNA DSK-3R3H204T614-H2L |

2.2 SAMA5D2-PTC-EK Content

The SAMA5D2-PTC-EK evaluation kit includes the following:

- The SAMA5D2-PTC-EK board
- A USB cable

2.3 Evaluation Kit Specifications

Table 2-2. Evaluation Kit Specifications

| Characteristic | Specification |
|-----------------------|--|
| Board | SAMA5D2-PTC-EK |
| Board supply voltage | USB-powered |
| Temperature | Operating: 0°C to +70°C Storage: -40°C to +85°C |
| Relative humidity | 0 to 90% (non-condensing) |
| Main board dimensions | 135 × 90 × 20 mm |
| RoHS status | Compliant |
| Board identification | SAMA5D2 Peripheral Touch Controller Evaluation Kit |

2.4 Power Sources

Several options are available to power up the SAMA5D2-PTC-EK board:

- USB powering through the USB Micro-AB connector (J4 - default configuration)
- Powering through the USB Micro-AB connector on the JLink-OB Embedded Debugger interface (J9)

Table 2-3. Electrical Characteristics

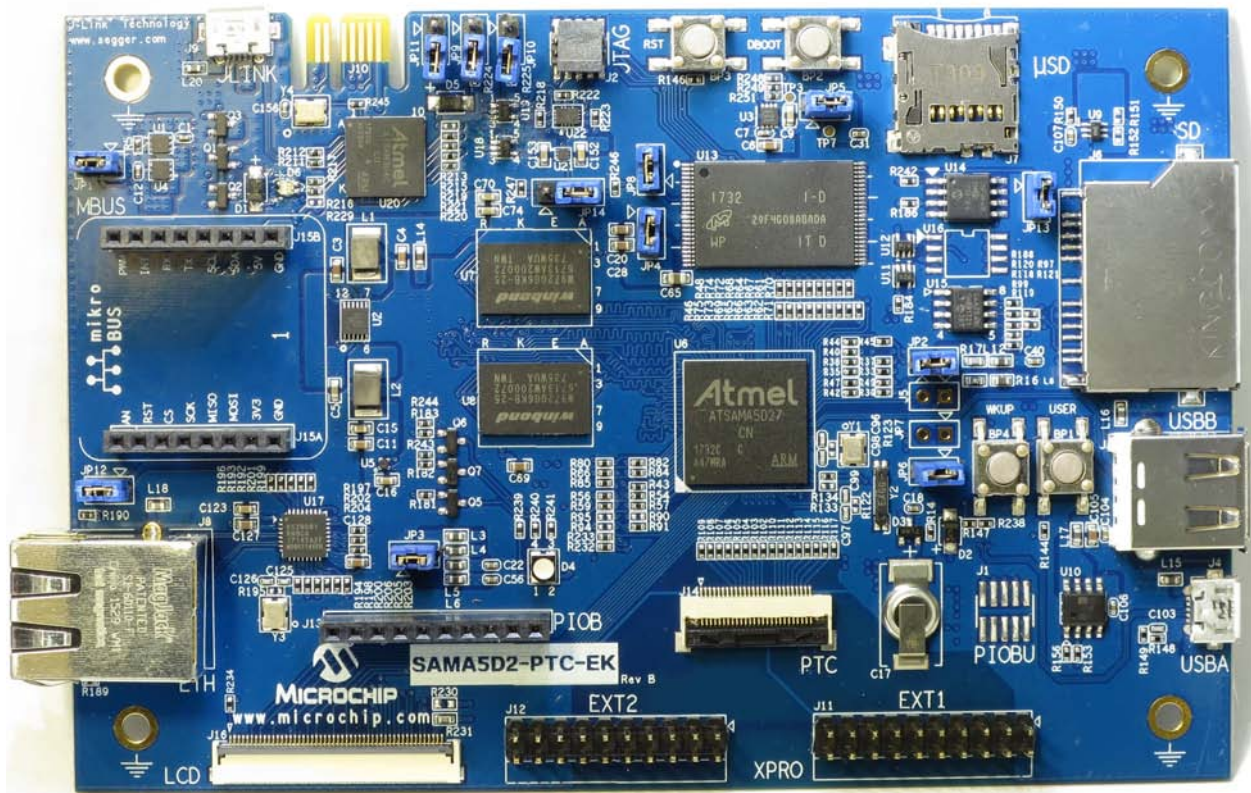
| Electrical Parameter | Value |
|----------------------------------|-----------|
| Input voltage | 5VCC |
| Maximum input voltage | 6VCC |
| Maximum 3.3VDC current available | 1.2A |
| I/O voltage | 3.3V only |

3. Board Components

This section covers the specifications of the SAMA5D2-PTC-EK and provides a high-level description of the board's major components and interfaces. This document is not intended to provide a detailed documentation about the processor or about any other component used on the board. It is expected that the user will refer to the appropriate documents of these devices to access detailed information.

3.1 Board Overview

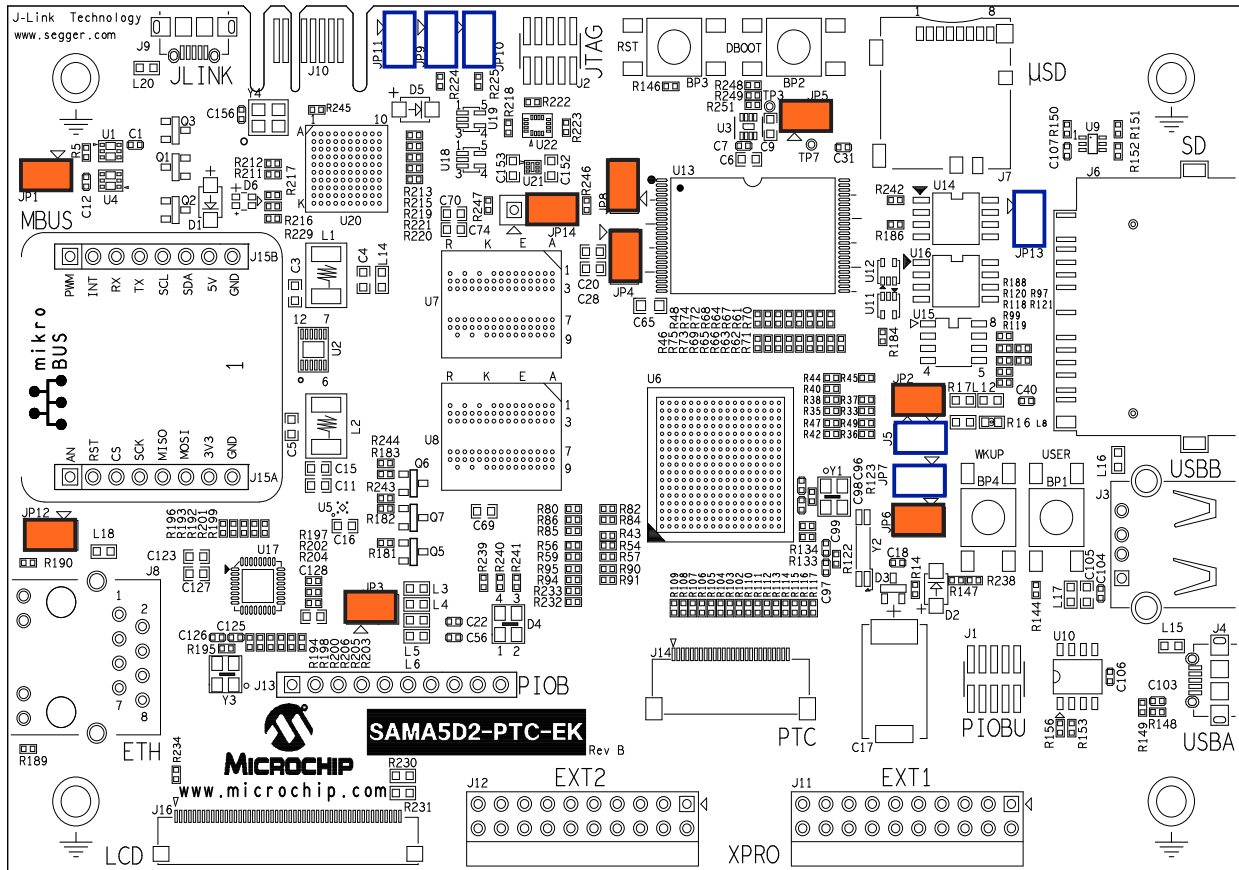
The fully-featured SAMA5D2-PTC-EK board integrates multiple peripherals and interface connectors, as shown in the figure below.



3.1.1 Default Jumper Settings

The figure below shows the default jumper settings. Jumpers in red are configuration items and current measurement points. Jumpers in blue are not populated.


Figure 3-1. Default Jumper Settings



The following table describes the functionality of the jumpers.

Table 3-1. SAMA5D2-PTC-EK Jumper Settings

| Jumper | Default | Function |
|--------|---------|---|
| JP1 | Closed | VDD_MAIN_5V current measurement |
| JP2 | Closed | VDDOSC, VDDUTMII, VDDANA, VDDAUDIOPLL current measurement |
| JP3 | Closed | VDDISC + VDDIOP0/1/2 current measurement |
| JP4 | Closed | VDDIODDR_MPU current measurement |
| JP5 | Closed | VDDCORE current measurement |
| JP6 | Closed | VDDBU current measurement |
| JP7 | Open | PIOBU1, PIOBU7 |
| JP8 | Closed | Disables NAND_CS (open=disable) |
| JP9 | Open | Enables JTAG-CDC (closed=disable) |
| JP10 | Open | Enables JTAG-OB (closed=disable) |
| JP11 | Open | Erases SAM3U Flash Code (closed = erase) |

| Jumper | Default | Function |
|--------|---------|---|
| | |  Warning: This jumper is reserved for factory configuration and should never be used by the end user. |
| JP12 | Closed | Powers mikroBUS extension (3.3V) |
| JP13 | Open | Disables QSPI |
| JP14 | 1-2 | Enables 3.3V JLINK-OB, connected to shutdown circuitry |
| | 2-3 | Enables 3.3V JLINK-OB, always ON |

3.1.2 Connectors on Board

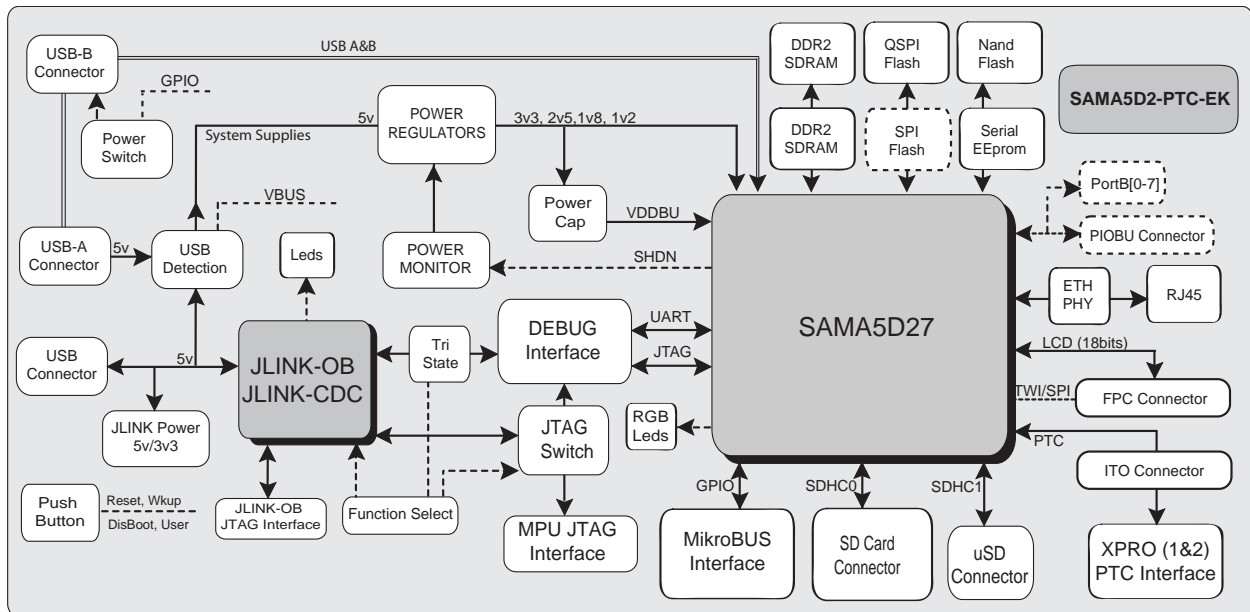
The following table describes the interface connectors on the SAMA5D2-PTC-EK.

Table 3-2. SAMA5D2-PTC-EK Board Interface Connectors

| Connector | Interfaces to |
|-----------|---|
| J1 | PIOBU, tamper and analog comparator connector (not populated) |
| J2 | JTAG, 10-pin IDC connector |
| J3 | USB Host B. Supports USB host using a type A connector |
| J4 | USB A Device. Supports USB device using a type Micro-AB connector |
| J5 | USB-C HSIC header (not populated) |
| J6 | Standard SDMMC connector |
| J7 | microSD connector |
| J8 | Ethernet 10/100 RJ45 |
| J9 | USB-A MicroAB, JLink-OB port |
| J10 | PCB connector for factory-programming the JLINK-OB/SAM3U |
| J11, J12 | Xplained Pro expansion connectors (PTC-dedicated add-on boards) |
| J13 | PIOs PortB connector |
| J14 | ITO connector |
| J15 A&B | mikroBUS connector |
| J16 | Expansion TFT LCD connector for display module |

3.2 Function Blocks

Figure 3-2. SAMA5D2-PTC-EK Block Diagram



3.2.1 Processor

The SAMA5D2 Series is a high-performance, power-efficient embedded MPU based on the ARM[®] Cortex[®]-A5 processor.

Please refer to the SAMA5D2 Series datasheet for more information.

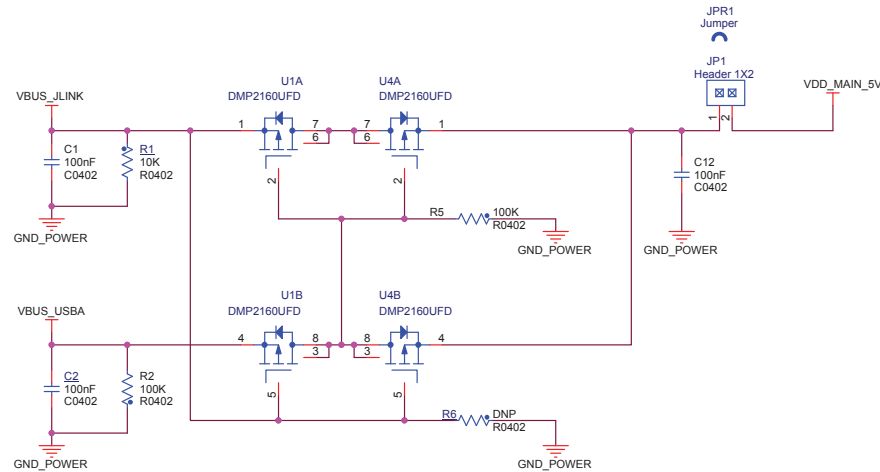
3.2.2 Power Supply Topology and Power Distribution

3.2.2.1 Input Power Options

Two options are available to power the SAMA5D2-PTC-EK board. The USB-powered operation is the default configuration and comes from the USB device ports (J4-J9) connected to a PC or a 5VDC supply. Such USB power source is sufficient to supply the board in most applications. It is important to note that when the USB-powered operation is used, the USB port down the way has a limited powering capability. If the USB-B Host port (J3) is required to provide full powering capabilities to the target application, it is recommended to use an external DC supply instead of a USB power source.

The following figure is a schematic of the power options.

Figure 3-3. Input Powering



Note: USB-powered operation eliminates additional wires and batteries. It is the preferred mode of operation for any project that requires only a 5V source at up to 500 mA.

Jumper JP1 is used to perform MAIN_5V current measurements on the SAMA5D2-PTC-EK board.

3.2.2.2 Power Supply Requirements and Restrictions

Detailed information on the device power supplies is provided in tables “SAMA5D2 Power Supplies” and “Power Supply Connections” in the SAMA5D2 Series datasheet.

3.2.2.3 Power-up and Power-down Considerations

Power-up and power-down considerations are described in section “Power Considerations” of the SAMA5D2 Series datasheet.



Caution: The power-up and power-down sequences provided in the SAMA5D2 Series datasheet must be respected for reliable operation of the device.

3.2.2.4 Power Management

The board power management uses three types of regulators:

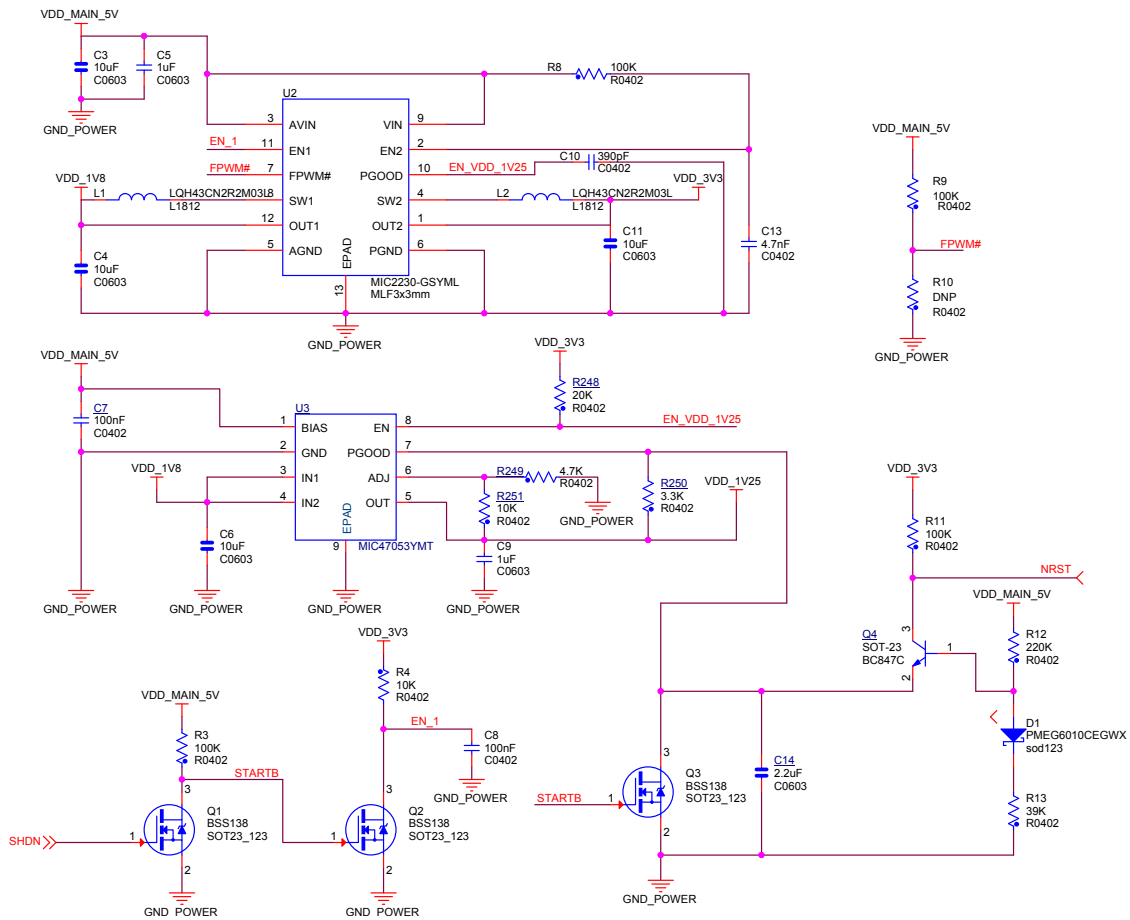
- One dual synchronous step-down DC-DC regulator (U2 MIC2230) generates the 3.3V/800mA and 1.8V/800mA power lines and utilizes a high-efficiency, fixed-frequency (2.5 MHz), current-mode PWM control architecture that requires a minimum number of external components.
- One ultra low-dropout linear regulator (U3 MIC47053) generates the 1.25V/500mA from the 1.8V source.
- One high-performance single 2.5V/150mA is used as a VDDFUSE generator (U5 MIC5366).

The main regulators are enabled through a Field Effect Transistor (FET) scheme. The processor can assert SHDN (a VDDDBU-powered I/O) to shut down the regulators to enter Backup mode. All regulators on the board are also shut down by the action of the SHDN signal.

A 3.3V battery (supercap) is implemented to permanently maintain VDDDBU voltage (note: jumper JP6 must be in place). The board can be woken up by action on the PB4 button, which drives the WKUP signal (also a VDDDBU-powered I/O).

The figure below shows the power management scheme.

Figure 3-4. Board Power Management



3.2.2.5 Supply Group Configuration

The main regulators provide all power supplies required by the SAMA5D2 device:

- 1.25V VDDCORE, VDDPLLA, VDDUTMIC, VDDHSIC
- 1.8V VDDIOP0, VDDIOP1, VDDIOP2, VDDISC
- 2.5V VDDFUSE
- 3.3V VDDIOP0, VDDIOP1, VDDIOP2, VDDISC
- 3.3V VDDOSC, VDDUTMI, VDDANA, VDDAUDIOPLL
- 3.3V VDDBU

Figure 3-5. Power Lines Distribution

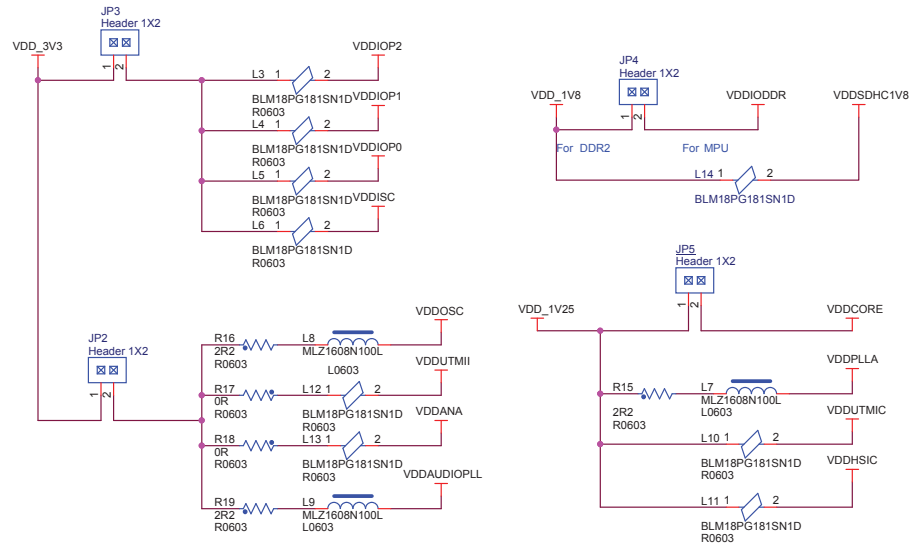
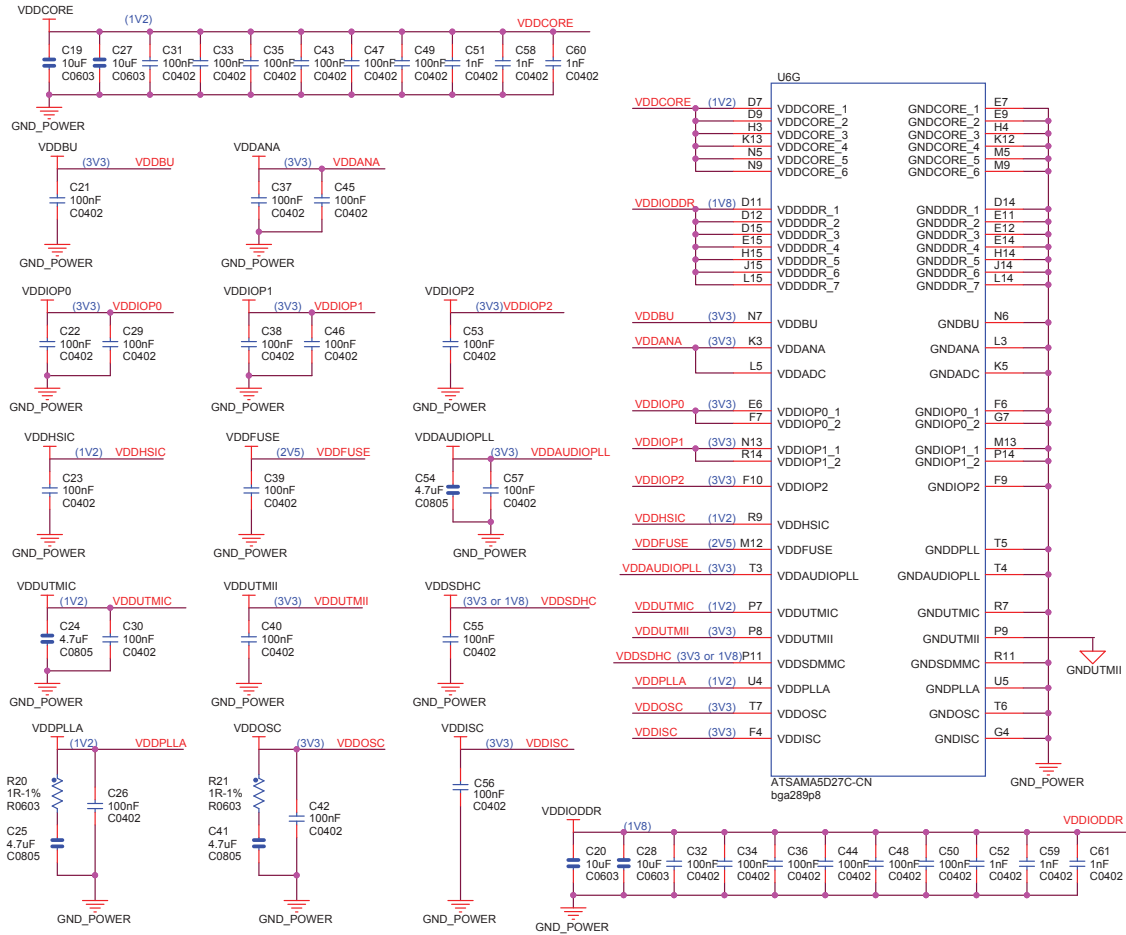


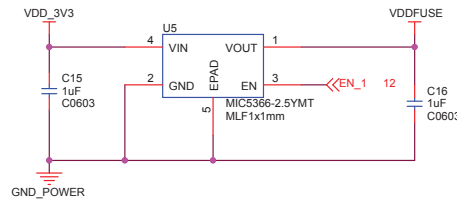
Figure 3-6. Processor Power Lines Supplies



3.2.2.6 VDDFUSE

The SAMA5D2-PTC-EK board embeds a 2.5V regulator for fuse box programming.

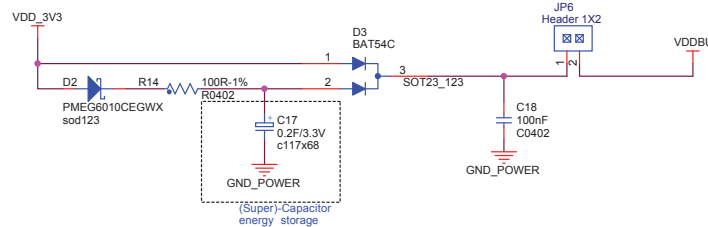
Figure 3-7. VDDFUSE Regulator



3.2.2.7 Backup Power Supply

The SAMA5D2-PTC-EK board requires a power source in order to permanently power the backup part of the SAMA5D2 device (refer to SAMA5D2 Series datasheet). The super capacitor C17 sustains such permanent power to VDDBU when all system power sources are off.

Figure 3-8. VDDBU Powering Options

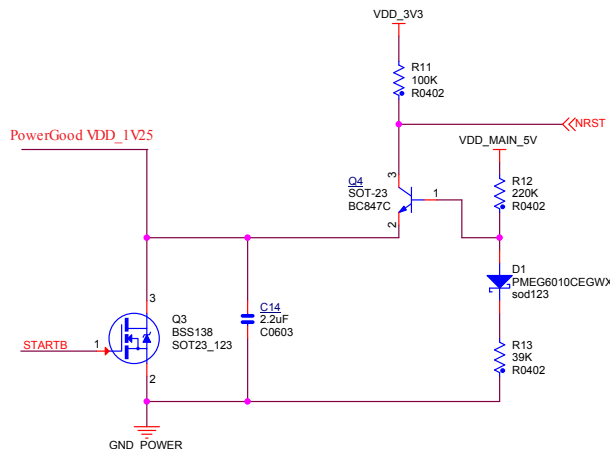


3.2.3 Reset Circuitry

The reset sources for the SAMA5D2-PTC-EK board are:

- Power-on reset from the power management unit,
- Push button reset BP3,
- JTAG or JLINK-OB reset from an in-circuit emulator.

Figure 3-9. Main Reset Control

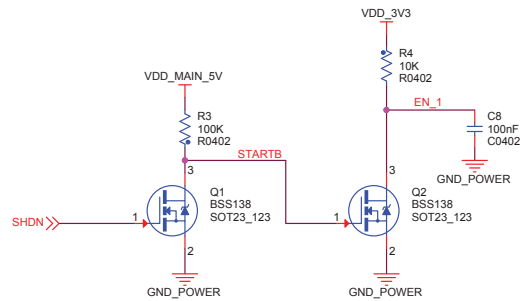


3.2.4 Shutdown Circuitry

The SHDN signal, output of Shutdown Controller (SHDN), drives the shutdown request to the power supply. This output signal is supplied by VDDBU, which is present in Backup mode.

The Shutdown Controller manages the main power supply and is connected to the ENABLE input pin of the DC/DC converter providing the main power supplies of the system.

Figure 3-10. Shutdown Controller

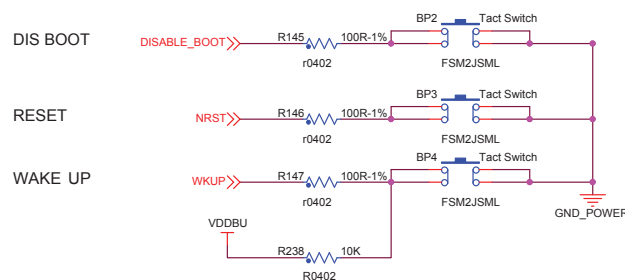


3.2.5 Push Button Switches

The SAMA5D2-PTC-EK features four push buttons:

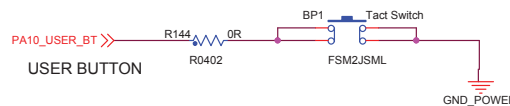
- One board reset push button (BP3). When pressed and released, it causes a power-on reset of the board.
- One wakeup push button (BP4) connected to the SAMA5D2 WKUP pin, used to exit the processor from low-power mode.
- One disable boot push button (BP2) used to devalidate the boot memories (refer to [CS Disable](#)).

Figure 3-11. System Push Buttons



- One user push button (BP1) connected to PIO PB10.

Figure 3-12. User Push Button



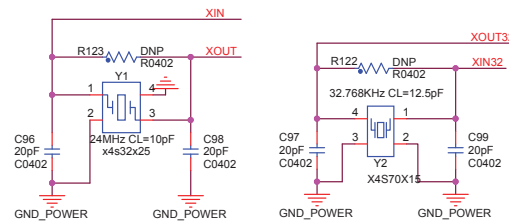
3.2.6 Clock Circuitry

The embedded microcontroller generates its necessary clocks based on two crystal oscillators: one slow clock (SLCK) oscillator running at 32.768 KHz and one main clock oscillator running at 24 MHz.

The SAMA5D2-PTC-EK board includes four clock sources:

- The two clocks mentioned above are alternatives for the SAMA5D2 processor (24 MHz, 32.768 kHz)
- One crystal oscillator for the Ethernet RMII chip (25 MHz)
- One crystal oscillator for the JLink-OB microcontroller (12 MHz)

Figure 3-13. MPU Clock Circuitry



3.2.7 Memory

3.2.7.1 Memory Organization

The SAMA5D2 features a DDR/SDR memory interface and an External Bus Interface (EBI) to enable interfacing to a wide range of external memories and to almost any kind of parallel peripheral.

This section describes the memory devices mounted on the SAMA5D2-PTC-EK board:

- Two DDR2 SDRAMs
- One NAND Flash
- One QSPI Flash
- One SPI Flash (optional)
- One serial EEPROM

Additional memory can be added to the board by:

- Installing an SD or MMC card in the SD/MMC0 or SD/MMC1 slot,
- Using the USB-B port.

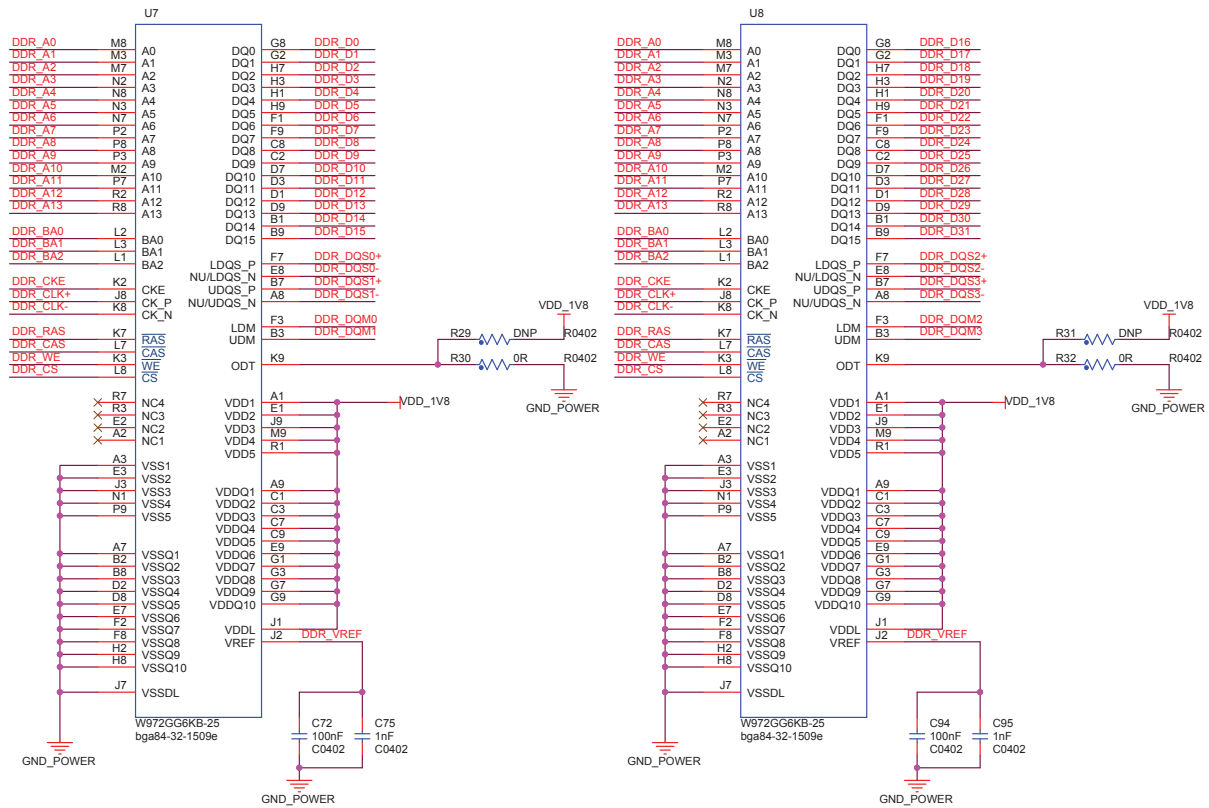
Support is dependent upon driver support in the OS.

3.2.7.2 DDR2/SDRAMs

Two DDR2/SDRAMs (W972GG6KB-25-2 Gbits = 16 Mbits x 16 x 8 banks) are used as main system memory, totalling 4 Gbits of SDRAM on the board. The memory bus is 32 bits wide and operates with a frequency of up to 166 MHz.

The figure below illustrates the implementation for the DDR2 memories.

Figure 3-14. DDR2 SDRAMs



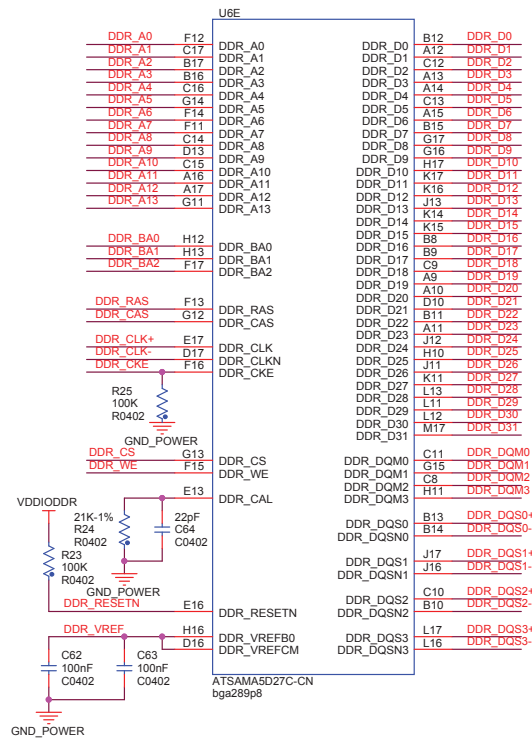
3.2.7.3 DDR_CAL Analog Input

One specific analog input, DDR_CAL, is used to calibrate all DDR I/Os.

Table 3-3. Calibration Cell DDR_CAL Value

| Memory | Resistor value |
|---------------|----------------|
| LPDDR2/LPDDR3 | 24K |
| DDR3L | 23K |
| DDR3 | 22K |
| DDR2/LPDDR1 | 21K |

Figure 3-15. DDR Signals and CAL Analog Input



3.2.7.4 NAND FLASH

The SAMA5D2-PTC-EK has native support for NAND Flash memory through its NAND Flash Controller. The board implements one MT29F4G08ABA 4Gb x 16 NAND Flash connected to chip select three (NCS3) of the microcontroller.



Caution: The NAND Flash interface is shared with the SDMMC1 and QSPI interfaces.

The figure below illustrates the NAND Flash memory implementation.

Figure 3-16. NAND Flash

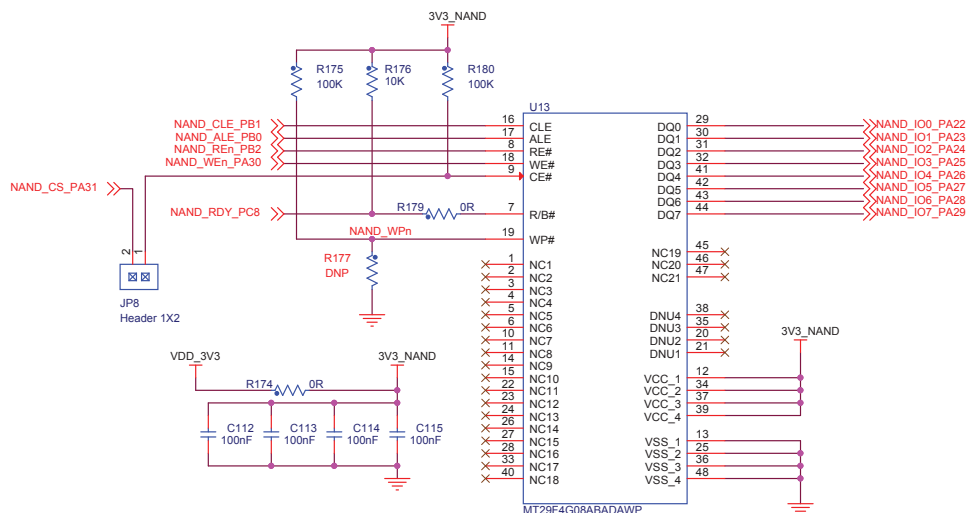


Table 3-4. NAND Flash Signal Descriptions

| PIO | Mnemonic | Shared PIO | Signal Description |
|------|----------|-------------|--------------------|
| PA22 | NAND_D0 | SDMMC1-QSPI | Data 0 |
| PA23 | NAND_D1 | QSPI | Data 1 |
| PA24 | NAND_D2 | QSPI | Data 2 |
| PA25 | NAND_D3 | QSPI | Data 3 |
| PA26 | NAND_D4 | QSPI | Data 4 |
| PA27 | NAND_D5 | QSPI | Data 5 |
| PA28 | NAND_D6 | SDMMC1 | Data 6 |
| PA29 | NAND_D7 | – | Data 7 |
| PA30 | NANDWE | SDMMC1 | – |
| PA31 | NCS3 | – | Chip Select |
| PB00 | NANDALE | – | – |
| PB01 | NANDCLE | – | – |
| PB02 | NANDOE | – | – |
| PC08 | NANRDY | – | – |

3.2.7.5 NAND Flash CS Disable

On-board jumper JP8 controls the selection (CS#) of the NAND Flash memory.

3.2.8 Additional Memories

3.2.8.1 Serial Flash

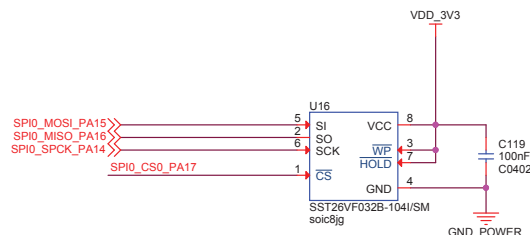
The SAMA5D2 includes two high-speed Serial Peripheral Interface (SPI) controllers. The SPI is a full duplex synchronous bus supporting a single master and multiple slave devices. The SPI bus consists of the following items:

- a serial clock line (generated by the master)
- a data output line from the master
- a data input line to the master
- one or more active low chip select signals (output from the master)

One SPI port is used to interface with the on-board serial Flash.

The following figure illustrates the implementation of an SPI Flash memory.

Figure 3-17. Serial Flash

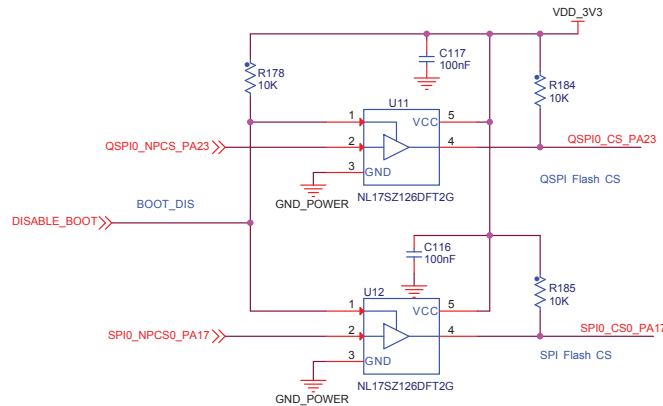


| PIO | Mnemonic | PIO Shared | Signal Description |
|------|-----------|------------|--------------------|
| PA26 | QSPI0_IO2 | Nand Flash | Data2 |
| PA27 | QSPI0_IO3 | Nand Flash | Data3 |

3.2.8.3 CS Disable

On-board push button PB2 controls the selection (CS#) of the bootable memory components (QSPI and serial Flash) using a non-inverting 3-state buffer.

Figure 3-19. CS Disable



The rule of operation is:

- PB2 (DISABLE_BOOT) and PB3 (RESET) pressed = booting from QSPI or optional serial Flash is disabled.

Refer to the SAMA5D2 Series datasheet for more information on standard boot strategies and sequencing.

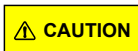
3.2.8.4 Serial EEPROM with Unique MAC Address

The SAMA5D2-PTC-EK board embeds one Microchip 24AA02E48 I²C serial EEPROM connected on the TWI1 interface.

The TWI interface is I²C-compatible and similarly uses only two lines, namely serial data (SDA) and serial clock (SCL). According to the standard, the TWI clock rate is limited to 400 kHz in Fast mode and 100 kHz in Normal mode, but configurable baud rate generator permits the output data rate to be adapted to a wide range of core clock frequencies. The TWI is used in Master mode.

The 24AA02E48 features 2048 bits of Serial Electrically-Erasable Programmable Read-Only Memory (EEPROM) organized as 256 words of eight bits each and is accessed via an I²C-compatible (2-wire) serial interface. In addition, the 24AA02E48 incorporates an easy and inexpensive method to obtain a globally unique MAC or EUI address (EUI-48).

The EUI-48 addresses can be assigned as the actual physical address of a system hardware device or node, or it can be assigned to a software instance. These addresses are factory-programmed by Microchip and guaranteed unique. They are permanently write-protected in an extended memory block located outside the standard 2-Kbit memory array.



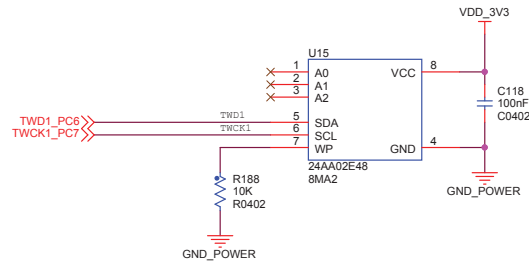
Caution: The EEPROM device is used as a “software label” to store board information such as chip type, manufacturer name and production date, using the last two 16-byte blocks in memory. The information contained in these blocks should not be modified.

Table 3-6. EEPROM PIOs Signal Descriptions

| PIO | Mnemonic | Shared | Signal Description |
|-----|----------|--------|--------------------|
| PC6 | TWD1 | XPRO | TWI Data |
| PC7 | TWCL1 | XPRO | TWI Clock |

The figure below illustrates the implementation for the EEPROM.

Figure 3-20. EEPROM 24AA02E48



3.2.9 Secure Digital Multimedia Card (SDMMC) Interface

The SD (Secure Digital) Card is a non-volatile memory card format used as a mass storage memory in mobile devices.

3.2.9.1 Secure Digital Multimedia Card (SDMMC) Controller

The SAMA5D2-PTC-EK board has two Secure Digital Multimedia Card (SDMMC) interfaces that support the MultiMedia Card (e.MMC) Specification V4.41, the SD Memory Card Specification V3.0, and the SDIO V3.0 specification. It is compliant with the SD Host Controller Standard V3.0 Specification.

- The SDMMC0 interface is connected to a standard SD card interface.
- The SDMMC1 interface is connected to a microSD card interface.

3.2.9.2 SDMMC0 Card Connector

A standard MMC/SD card connector, connected to SDMMC0, is mounted on the top side of the board. The SDMMC0 communication is based on a 12-pin interface (clock, command, data (8) and power lines (2)). A card detection switch is included.

The figure below illustrates the implementation for the SDMMC0 interface.

Figure 3-21. SDMMC0 Standard SD Socket

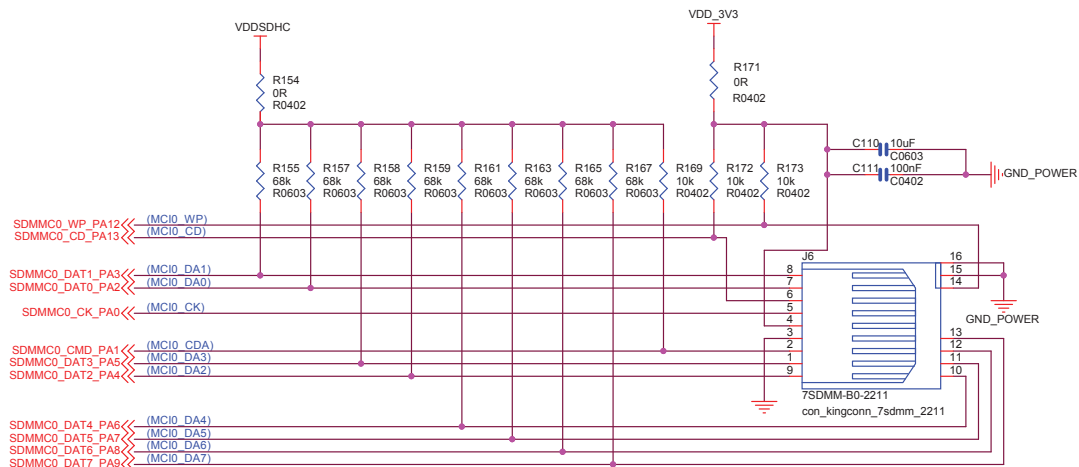
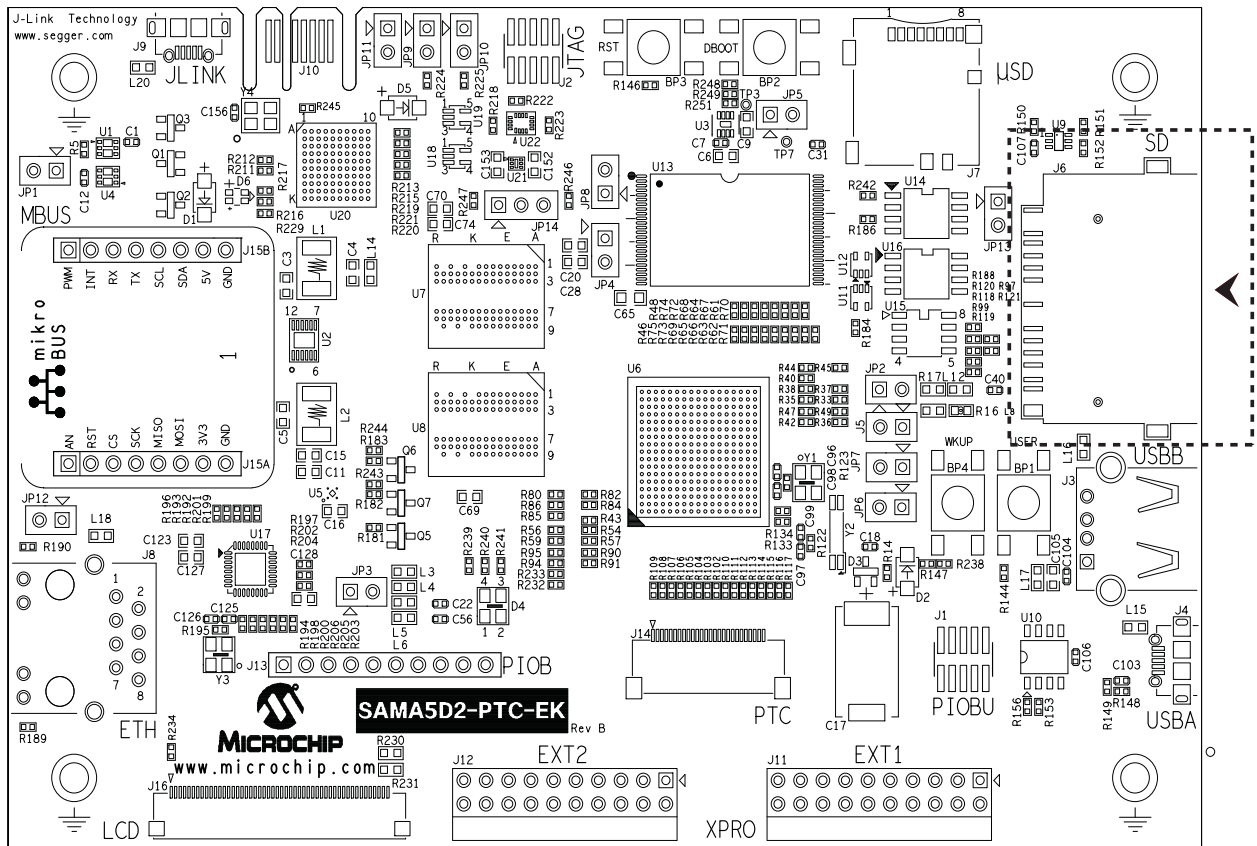


Figure 3-22. Standard SD Socket J6 Location



The table below describes the pin assignment of SD/MMC connector J6.

Table 3-7. Standard SD Socket J6 Pin Assignment

| Pin No | Mnemonic | Signal Description |
|--------|----------|------------------------------|
| 1 | MCI0_DA3 | SDMMC0_DAT3_PA5 |
| 2 | MCI0_CDA | SDMMC0_CMD_PA1 |
| 3 | GND | GND |
| 4 | VCC | VDDSDHC (3.3V or 1.8V) |
| 5 | MCI0_CK | SDMMC0_CK_PA0 |
| 6 | MCI0_CD | SDMMC0_CD_PA13 (card detect) |
| 7 | MCI0_DA0 | SDMMC0_DAT0_PA2 |
| 8 | MCI0_DA1 | SDMMC0_DAT1_PA3 |
| 9 | MCI0_DA2 | SDMMC0_DAT2_PA4 |
| 10 | MCI0_DA4 | SDMMC0_DAT4_PA6 |
| 11 | MCI0_DA5 | SDMMC0_DAT5_PA7 |
| 12 | MCI0_DA6 | SDMMC0_DAT6_PA8 |
| 13 | MCI0_DA7 | SDMMC0_DAT7_PA9 |

| Pin No | Mnemonic | Signal Description |
|--------|----------|--------------------|
| 14 | MCI0_WP | SDMMC0_WP_PA12 |
| 15 | GND | GND |
| 16 | GND | GND |

3.2.9.3 SDMMC0 VDDHC Voltage Switching

The board uses an ADG849 to switch the power line VDDSDHC_3V3 or VDDSDHC_1V8 through the command line SDMMC0_VDDSEL_PA11.

Figure 3-23. SDMMC0 VDDSDHC Voltage Switching

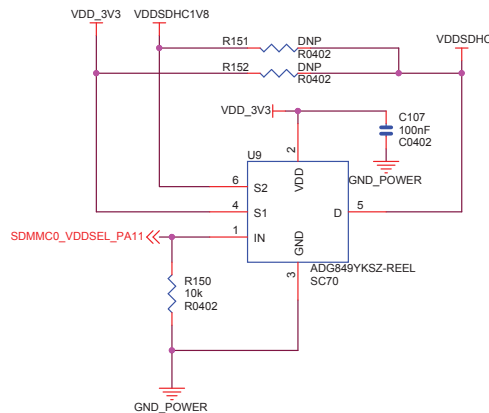


Table 3-8. SDMMC1 Power Command

| PIO | Mnemonic | Signal Description |
|------|---------------|----------------------|
| PA11 | SDMMC0_VDDSEL | Selects 3.3V or 1.8V |

3.2.9.4 SDMMC1 Card Connector

A microSD card connector, connected to SDMMC1, is mounted on the top side of the board. The SDMMC1 communication is based on a 9-pin interface (clock, command, card detect, four data and power lines). A card detection switch is included. The microSD connector can be used to connect any microSD card for mass storage.

Figure 3-24. SDMMC1 microSD Socket

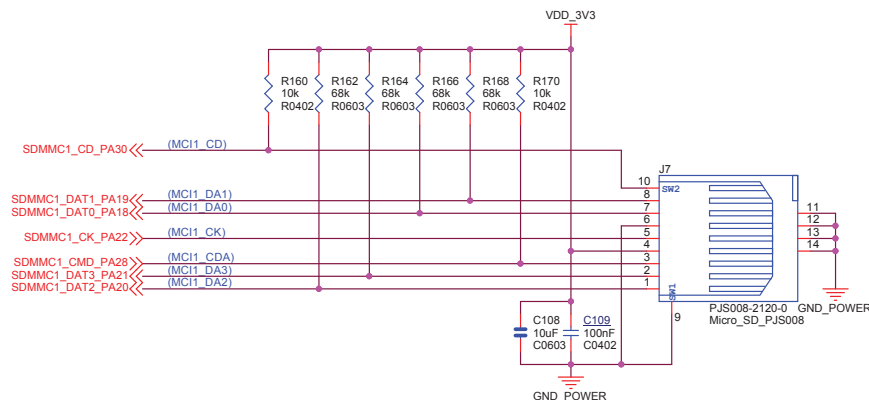
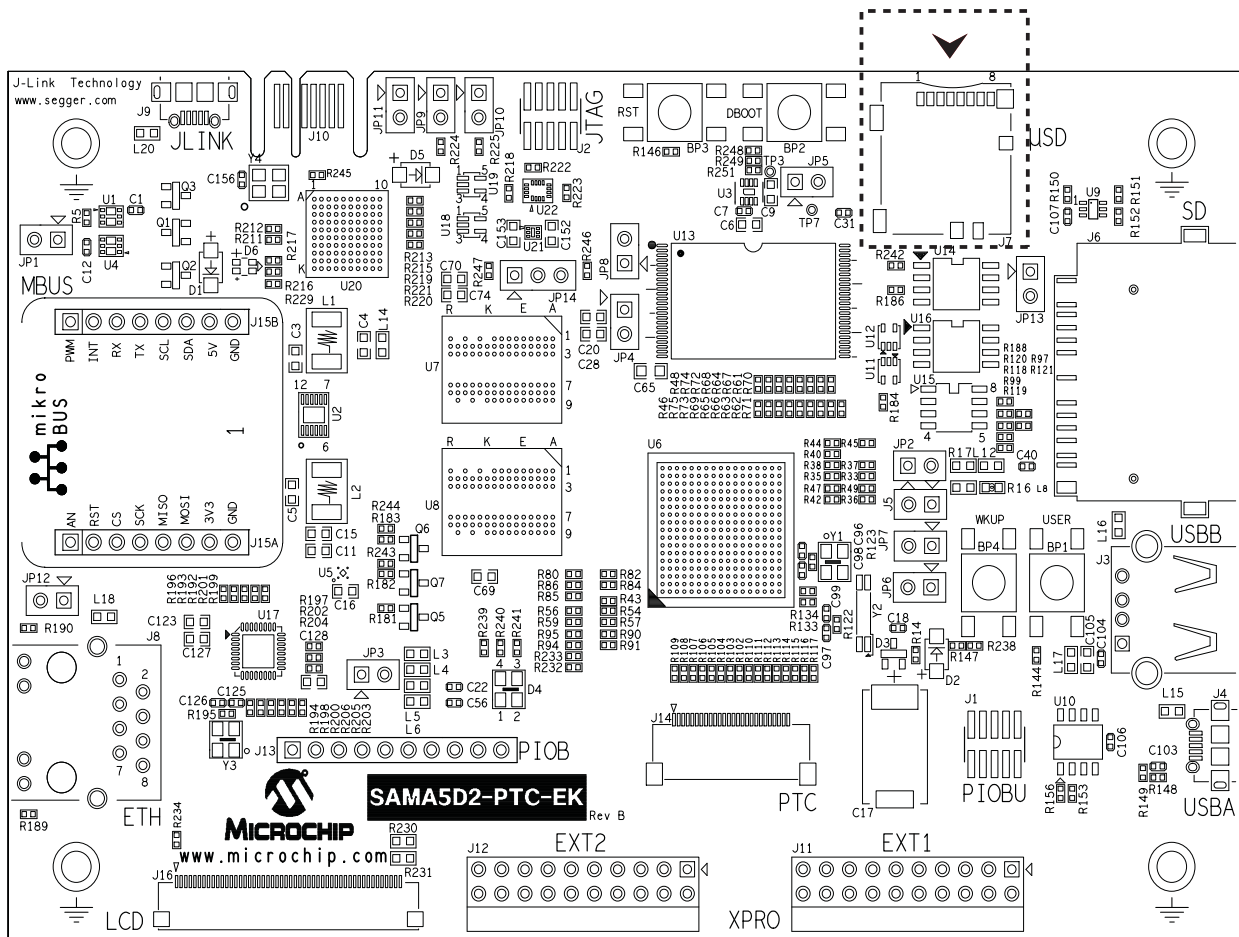


Figure 3-25. microSD Socket J7 Location



The table below describes the pin assignment of microSD connector J7.

Table 3-9. microSD Socket J7 Pin Assignment

| Pin No | Mnemonic | PIO | Shared | Signal Description |
|--------|-------------|------|--------|-----------------------|
| 1 | SDMMC1_DAT2 | PA20 | – | Data bit 2 |
| 2 | SDMMC1_DAT3 | PA21 | – | Data bit 3 |
| 3 | SDMMC1_CDA | PA28 | – | Command |
| 4 | VCC | – | – | 3.3V supply voltage |
| 5 | SDMMC1_CK | PA22 | – | Clock |
| 6 | GND | – | – | Common ground |
| 7 | SDMMC1_DAT0 | PA18 | – | Data bit 0 |
| 8 | SDMMC1_DAT1 | PA19 | – | Data bit 1 |
| 9 | SW1 | GND | – | Not used |
| 10 | SDMMC1_CD | PA30 | – | Card detection switch |
| 11 | GND | – | – | Common ground |

| Pin No | Mnemonic | PIO | Shared | Signal Description |
|--------|----------|-----|--------|--------------------|
| 12 | GND | – | – | Common ground |
| 13 | GND | – | – | Common ground |
| 14 | GND | – | – | Common ground |

3.2.10 Communication Interfaces

The SAMA5D2-PTC-EK board is equipped with Ethernet and USB host/device communication interfaces. This section describes the signals and connectors related to the ETH and USB communication interfaces.

3.2.10.1 Ethernet 10/100 (GMAC) Port

The SAMA5D2-PTC-EK board features a Micrel PHY device (KSZ8081) operating at 10/100 Mb/s. The board supports RMII interface modes. The Ethernet interface consists of two pairs of low-voltage differential pair signals designated from GRX± and GTX± plus control signals for link activity indicators. These signals can be used to connect to a 10/100 Base-T RJ45 connector integrated on the SAMA5D2-PTC-EK board.

An individual 48-bit MAC address (Ethernet hardware address) is allocated to each product. This number is stored in the Microchip 24AA02E48 I2C serial EEPROM (refer to [Serial EEPROM with Unique MAC Address](#)).

Additionally, for monitoring and control purposes, a LED functionality is carried on the RJ45 connectors to indicate activity, link, and speed status.

For more information about the Ethernet controller device, refer to the Micrel KSZ8081RN controller manufacturer's datasheet.

Figure 3-26. Ethernet Interface

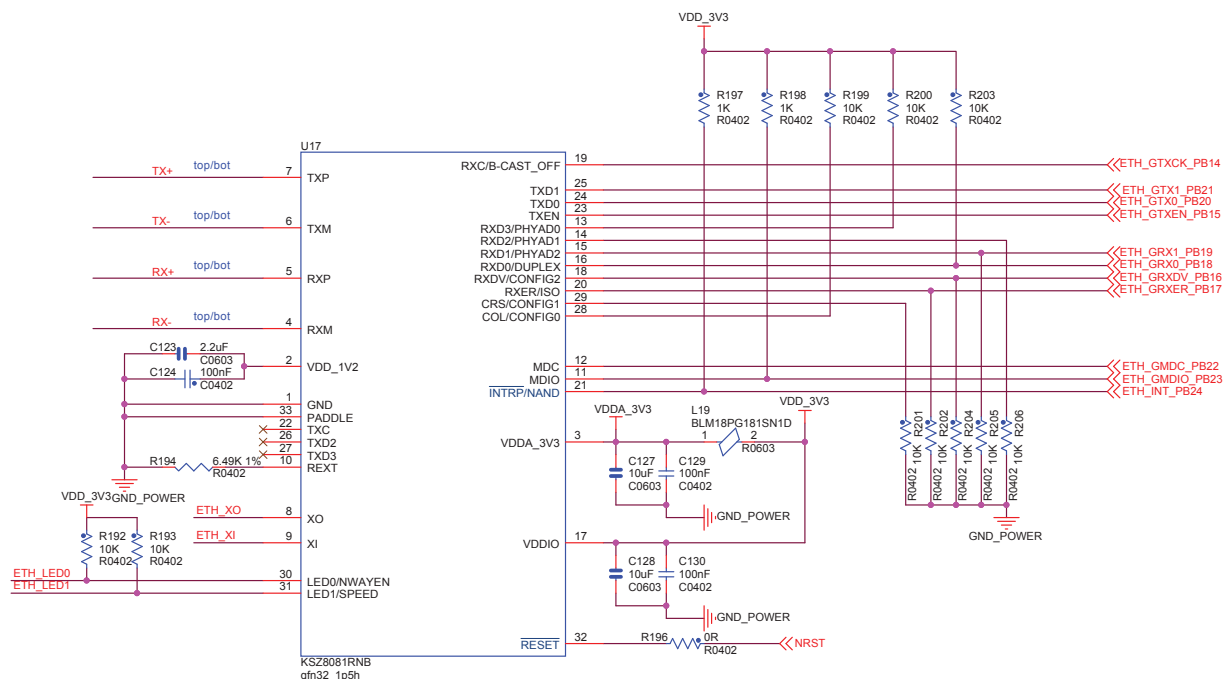


Table 3-10. Ethernet PHY 10/100 Signal Descriptions

| PIO | Mnemonic | Shared | Signal Description |
|------|-------------|--------|------------------------|
| PB14 | ETH_GTXCK | — | Transmit clock |
| PB15 | ETH_GTXEN | — | Transmit enable |
| PB16 | ETH_GRXDV | — | Receive data valid |
| PB17 | ETH_GRXER | — | Receive error |
| PB18 | ETH_GRX0 | — | Receive data 0 |
| PB19 | ETH_GRX1 | — | Receive data 1 |
| PB20 | ETH_GTX0 | — | Transmit data 0 |
| PB21 | ETH_GTX1 | — | Transmit data 1 |
| PB22 | ETH_GMDC | — | Management data clock |
| PB23 | ETH_GMDIO | — | Management data in/out |
| PB24 | ETH_GTX_INT | — | Interrupt (open drain) |

Figure 3-27. Ethernet PHY Connector J8

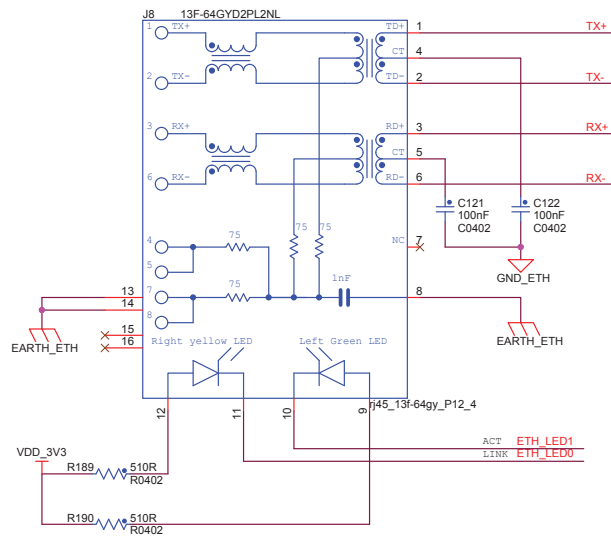
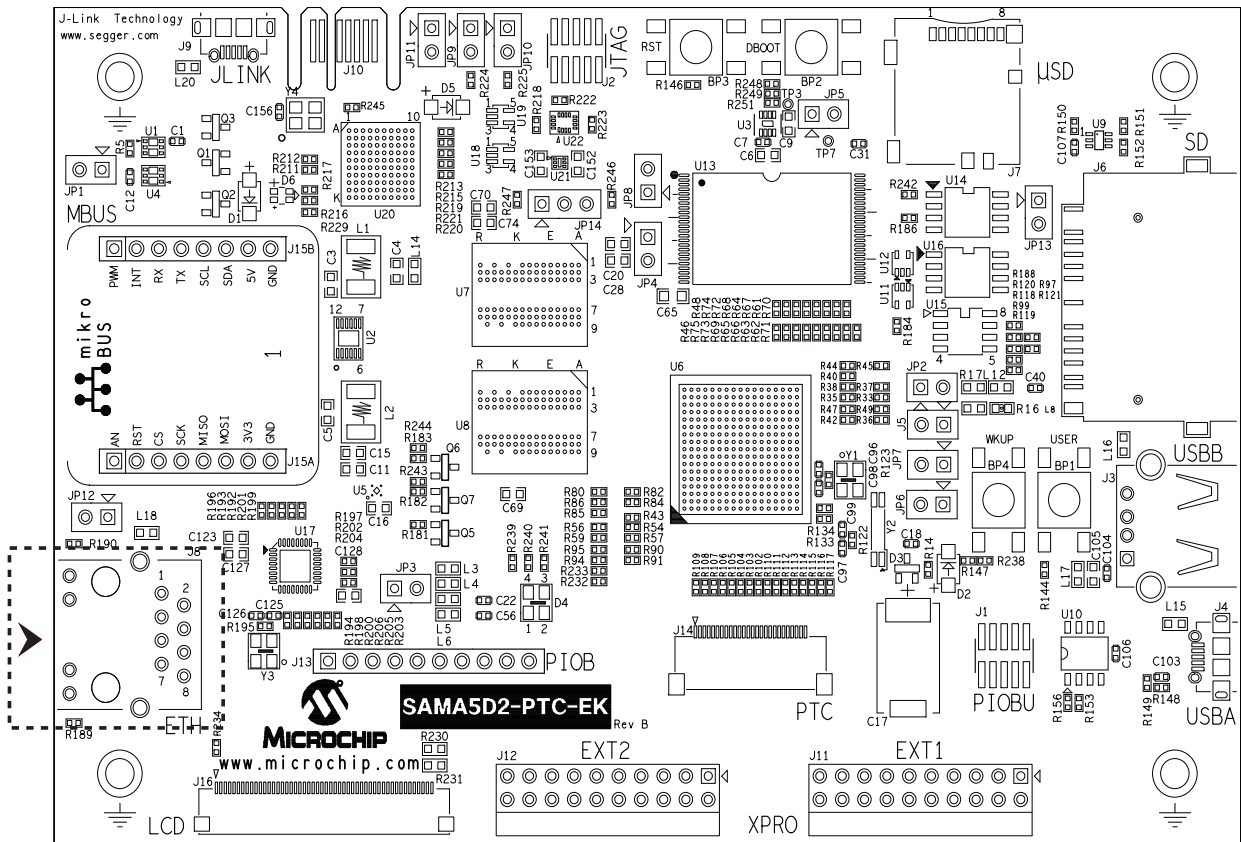


Figure 3-28. Ethernet RJ45 Connector J8 Location



The table below describes the pin assignment of Ethernet connector J8.

Table 3-11. Ethernet RJ45 Connector J8 Pin Assignment

| Pin No | Mnemonic | Signal Description |
|--------|----------------------|---------------------|
| 1 | TX+ | Transmit |
| 2 | TX- | Transmit |
| 3 | RX+ | Receive |
| 4 | Decoupling capacitor | — |
| 5 | Decoupling capacitor | — |
| 6 | RX- | Receive |
| 7 | NC | — |
| 8 | EARTH / GND | Common ground |
| 9 | ACT LED | LED activity |
| 10 | ACT LED | LED activity |
| 11 | LINK LED | LED link connection |
| 12 | LINK LED | LED link connection |
| 13 | EARTH / GND | Common ground |

| Pin No | Mnemonic | Signal Description |
|--------|-------------|--------------------|
| 14 | EARTH / GND | Common ground |
| 15 | NC | – |
| 16 | NC | – |

3.2.10.2 USB Host/Device A, B

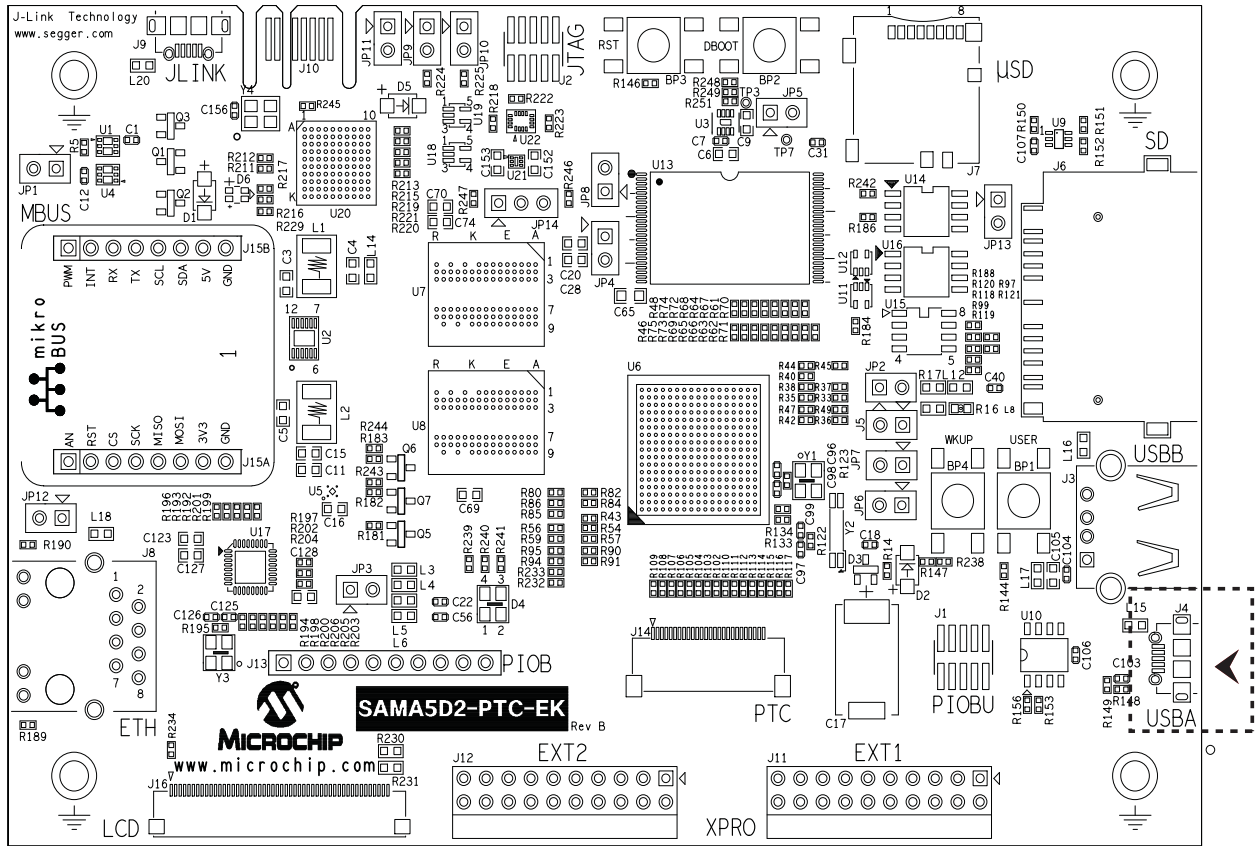
The USB (Universal Serial Bus) is a hot-pluggable general-purpose high-speed I/O standard for computer peripherals. The standard defines connector types, cabling, and communication protocols for interconnecting a wide variety of electronic devices. The USB 2.0 Specification defines data transfer rates as high as 480 Mbps (also known as High Speed USB). A USB host bus connector uses 4 pins: a power supply pin (5V), a differential pair (D+ and D- pins) and a ground pin.

The SAMA5D2-PTC-EK board features three USB communication ports named USB-A to USB-C:

- USB-A device interface
 - One USB device standard micro-AB connector.
 - This port has a VBUS detection function made through the R148-R149 resistor bridge.
 - The USB-A port is used as a primary power source and as a communication link for the board, and derives power from the PC over the USB cable. In most cases, this port is limited to 500 mA.
- USB-B (host port B high- and full-speed interface)
 - One USB host type A connector.
 - The USB-B host port is equipped with a 500 mA high-side power switch to enable powering devices connected to it.
- USB-C (High-Speed Inter-Chip/HSIC port)
 - One USB high-speed host port with an HSIC interface.
 - The port is connected to a single 2-pin jumper.

3.2.10.3 USB-A Interface

Figure 3-29. USB-A Type microAB Connector J4 Location



3.2.10.4 USB-A VBUS Detection

The USB-A port (J4) features a VBUS detection function provided by the R148-R149 resistor bridge.

The figure below shows the USB implementation on the USB-A port.

Figure 3-30. USB-A Power and VBUS Detection

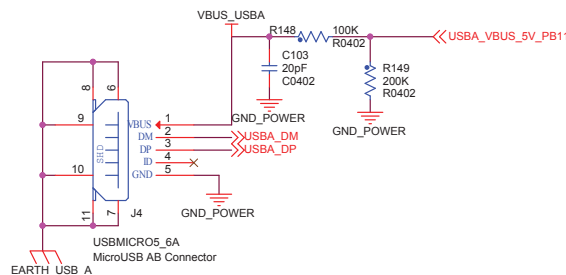


Table 3-12. USB-A PIO Signal Descriptions

| PIO | Mnemonic | Shared | Signal Description |
|------|--------------|--------|--------------------------|
| PB11 | USBA_VBUS_5V | - | VBUS insertion detection |

3.2.10.5 USB-B Interface

The figure below shows the USB implementation on the USB-B port.

Figure 3-31. USB-B Interface

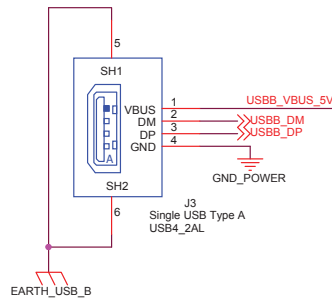


Figure 3-32. USB-B Type A Connector J3 Location

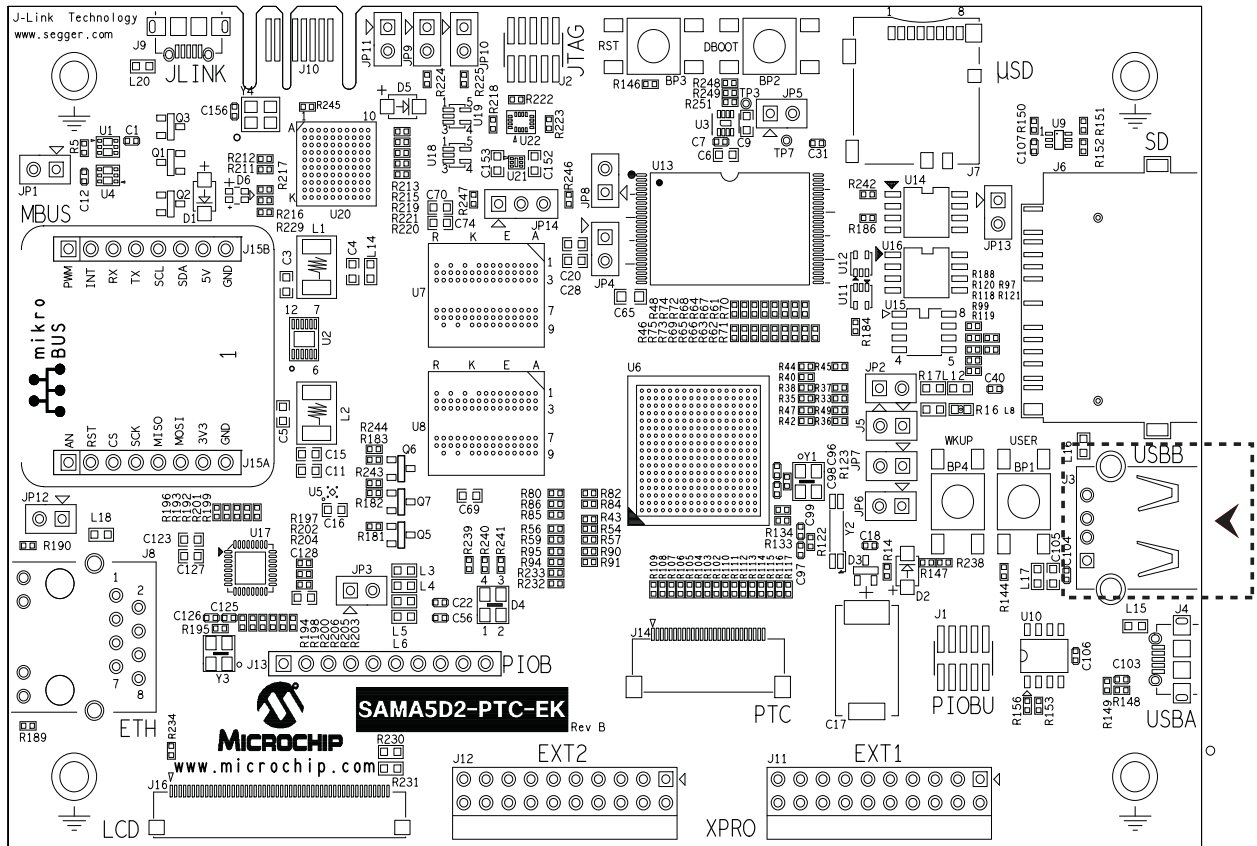


Table 3-13. USB-B PIO Signal Descriptions

| PIO | Mnemonic | Shared | Signal Description |
|------|------------|--------|------------------------------------|
| PB12 | USBB_EN_5V | — | Power switch enable (active high) |
| PB13 | USBB_OVCUR | — | Indicates overcurrent (open drain) |

USB-B Power Switch

The USB-B Host port is equipped with a 500 mA high-side power switch for self-powered and bus-powered applications. If the client device is bus-powered, the carrier can supply a 5V, 500mA power to the client device. The USBB_EN_5V_PB12 signal controls the power switch and current limiter, the Micrel MIC2025, which in turn supplies power to a bus-powered client device. Per the USB specification, bus-powered USB 2.0 devices are limited to a maximum of 500 mA. The MIC2025 limits the current and indicates an overcurrent with the USBB_OVCUR_PB13 signal.

The table below describes the pin assignment of the USB-A and USB-B connectors.

Table 3-14. USB-A and USB-B Connector Signal Descriptions

| Pin No | Mnemonic | Signal Description |
|--------|----------|--------------------------|
| 1 | VBUS | 5V power |
| 2 | DM | Data minus |
| 3 | DP | Data plus |
| 4 | ID | On-the-go identification |
| 5 | GND | Common ground |

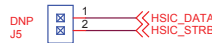
3.2.10.6 HSIC

High-Speed Inter-Chip (HSIC) is a standard for USB chip-to-chip interconnect with a 2-signal (strobe, data) source synchronous serial interface using 240 MHz DDR signaling to provide only high-speed 480 Mbps data rate.

The interface operates at high speed, 480 Mbps, and is fully compatible with existing USB software stacks. It meets all data transfer needs through a single unified USB software stack.

The HSIC interface is not used on the board and is connected to two-point jumper J5 (not mounted).

Figure 3-33. HSIC Interface



3.3 External Interfaces

3.3.1 LCD TFT Interface

This section describes the signals and connectors related to the LCD interface.

3.3.1.1 LCD Interface

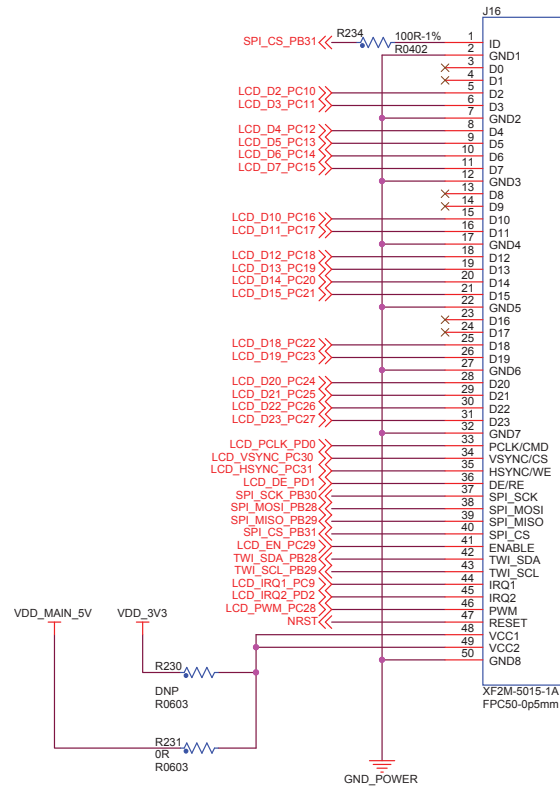
The SAMA5D2-PTC-EK board provides a connector with 18 bits of data and control signals to the LCD interface. Other signals are used to control the LCD and are available on connector J16: TWI, SPI, two GPIOs for interrupt, 1-wire and power supply lines.

This connector is used to connect LCD display series 43xx or 70xx from PDA.

3.3.1.2 LCD Expansion Header

J16 is a 1.27-mm pitch, 50-pin header. It gives access to the LCD signals.

Figure 3-34. LCD Expansion Header Interface

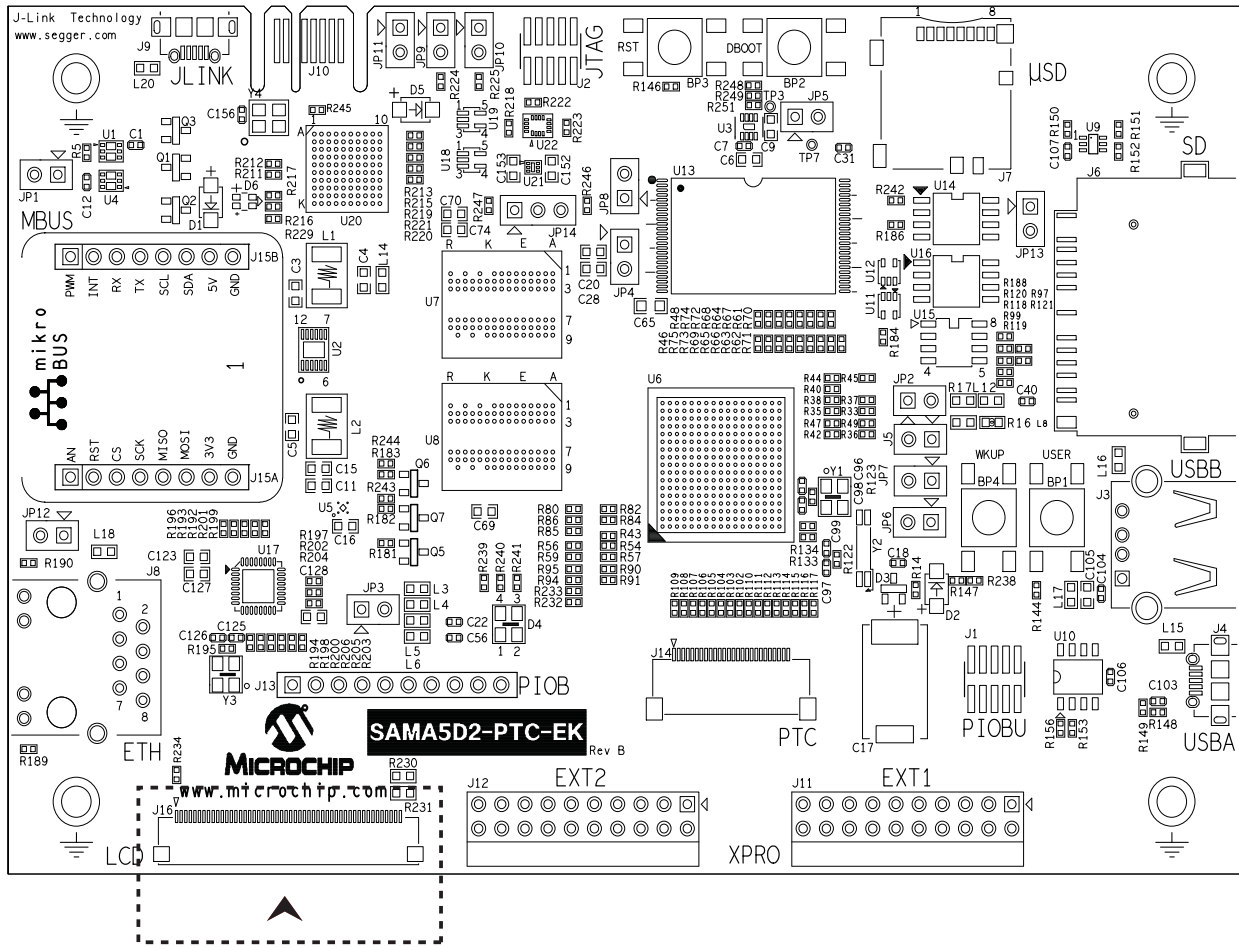


3.3.1.3 LCD Power

In order to operate correctly with various LCD modules, two voltage lines are available: 3.3V and 5VCC (default). The selection is made with 0R resistors R230 and R231.

3.3.1.4 LCD Connector JX

Figure 3-35. LCD Connector J16 Location



The table below describes the pin assignment of LCD FPC connector J16.

Table 3-15. LCD Connector J16 Signal Descriptions

| Pin No | Signal | PIO | Signal | RGB Interface Function |
|--------|---------|------|--------|------------------------|
| 1 | ID | PB31 | — | ID LCD module |
| 2 | GND | — | GND | GND |
| 3 | LCDDAT0 | — | D0 | — |
| 4 | LCDDAT1 | — | D1 | — |
| 5 | LCDDAT2 | PC10 | D2 | Data line |
| 6 | LCDDAT3 | PC11 | D3 | Data line |
| 7 | GND | — | GND | GND |
| 8 | LCDDAT4 | PC12 | D4 | Data line |
| 9 | LCDDAT5 | PC13 | D5 | Data line |
| 10 | LCDDAT6 | PC14 | D6 | Data line |

SAMA5D2-PTC-EK

Board Components

| Pin No | Signal | PIO | Signal | RGB Interface Function |
|--------|-----------|------|-------------|--------------------------|
| 11 | LCDDAT7 | PC15 | D7 | Data line |
| 12 | GND | – | GND | GND |
| 13 | LCDDAT8 | – | D8 | – |
| 14 | LCDDAT9 | – | D9 | – |
| 15 | LCDDAT10 | PC16 | D10 | Data line |
| 16 | LCDDAT11 | PC17 | D11 | Data line |
| 17 | GND | GND | GND | GND |
| 18 | LCDDAT12 | PC18 | D12 | Data line |
| 19 | LCDDAT13 | PC19 | D13 | Data line |
| 20 | LCDDAT14 | PC20 | D14 | Data line |
| 21 | LCDDAT15 | PC21 | D15 | Data line |
| 22 | GND | – | GND | GND |
| 23 | LCDDAT16 | – | D16 | – |
| 24 | LCDDAT17 | – | D17 | – |
| 25 | LCDDAT18 | PC22 | D18 | Data line |
| 26 | LCDDAT19 | PC23 | D19 | Data line |
| 27 | GND | – | GND | GND |
| 28 | LCDDAT20 | PC24 | D20 | Data line |
| 29 | LCDDAT21 | PC25 | D21 | Data line |
| 30 | LCDDAT22 | PC26 | D22 | Data line |
| 31 | LCDDAT23 | PC27 | D23 | Data line |
| 32 | GND | – | GND | GND |
| 33 | LCDPCK | PD0 | PCLK | Pixel clock |
| 34 | LCDVSYNC | PC30 | VSYNC/CS | Vertical sync |
| 35 | LCDHSYNC | PC31 | HSYNC/WE | Horizontal sync |
| 36 | LCDDEN | PD1 | DATA_ENABLE | Data enable |
| 37 | SPI_SPCK | PB30 | SPI_SCK | – |
| 38 | SPI_MOSI | PB28 | SPI_MOSI | (Shared with TWI) |
| 39 | SPI_MISO | PB29 | SPI_MISO | (Shared with TWI) |
| 40 | SPI_NPCS0 | PB31 | SPI_CS | – |
| 41 | LCDDISP | PC29 | ENABLE | Display enable signal |
| 42 | TWD | PB28 | TWI_SDA | I2C data line (maXTouch) |

| Pin No | Signal | PIO | Signal | RGB Interface Function |
|--------|-------------|------|---------|--------------------------------------|
| 43 | TWCK | PB29 | TWI_SCL | I2C clock line (maXTouch) |
| 44 | GPIO | PC9 | IRQ1 | maXTouch interrupt line |
| 45 | GPIO | PD2 | IRQ2 | Interrupt line for other I2C devices |
| 46 | LCDPWM | PC28 | PWM | Backlight control |
| 47 | RESET | – | RESET | Reset for both display and maXTouch |
| 48 | Main_5V/3V3 | VCC | VCC | 3.3V or 5V supply (0R) |
| 49 | Main_5V/3V3 | VCC | VCC | 3.3V or 5V supply (0R) |
| 50 | GND | – | GND | GND |

3.3.2 RGB LED

The SAMA5D2-PTC-EK board features one RGB LED which can be controlled by the user. The three LED cathodes are controlled via GPIO PWM or timer/counter pins.

Figure 3-36. RGB LED Indicators

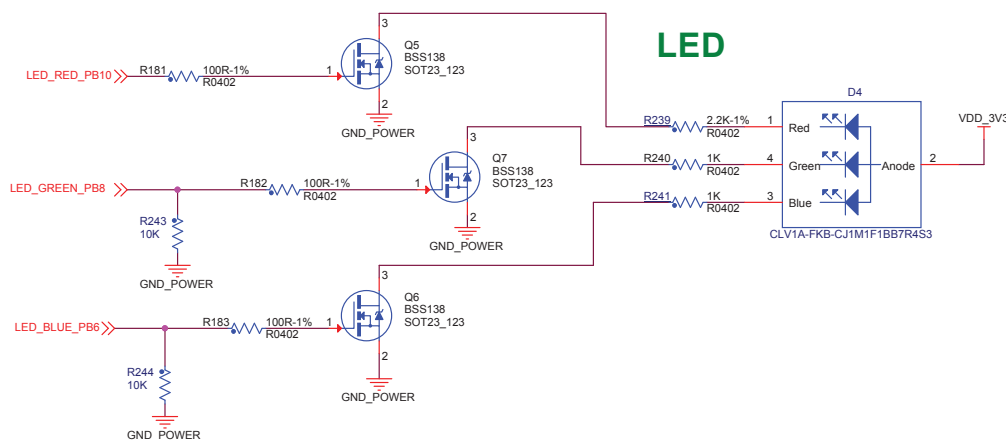


Table 3-16. RGB LED PIOS

| Signal | PIO | Function |
|-----------|------|----------|
| LED_RED | PB10 | TIOB3 |
| LED_GREEN | PB8 | PWML3 |
| LED_BLUE | PB6 | PWML2 |

3.4 Debugging Capabilities

The SAMA5D2-PTC-EK includes two main debugging interfaces to provide debug-level access to the SAMA5D2:

- One UART through USB JLINK-CDC
- Two JTAG interfaces, one connected directly to the MPU using connector J2 and one through the JLINK-OB interface USB port J9

3.4.1 Debug JTAG

This section describes the signals and connectors related to the JTAG interface.

A 10-pin JTAG header is provided on the SAMA5D2-PTC-EK board to facilitate software development and debugging using various JTAG emulators. The interface signals have a voltage level of 3.3V.

Figure 3-37. JTAG Interface

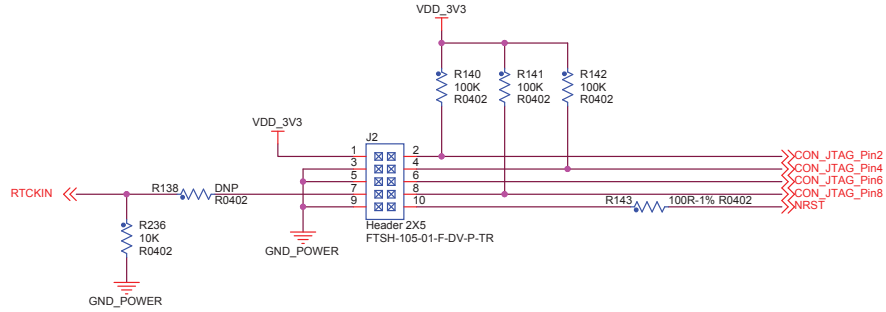
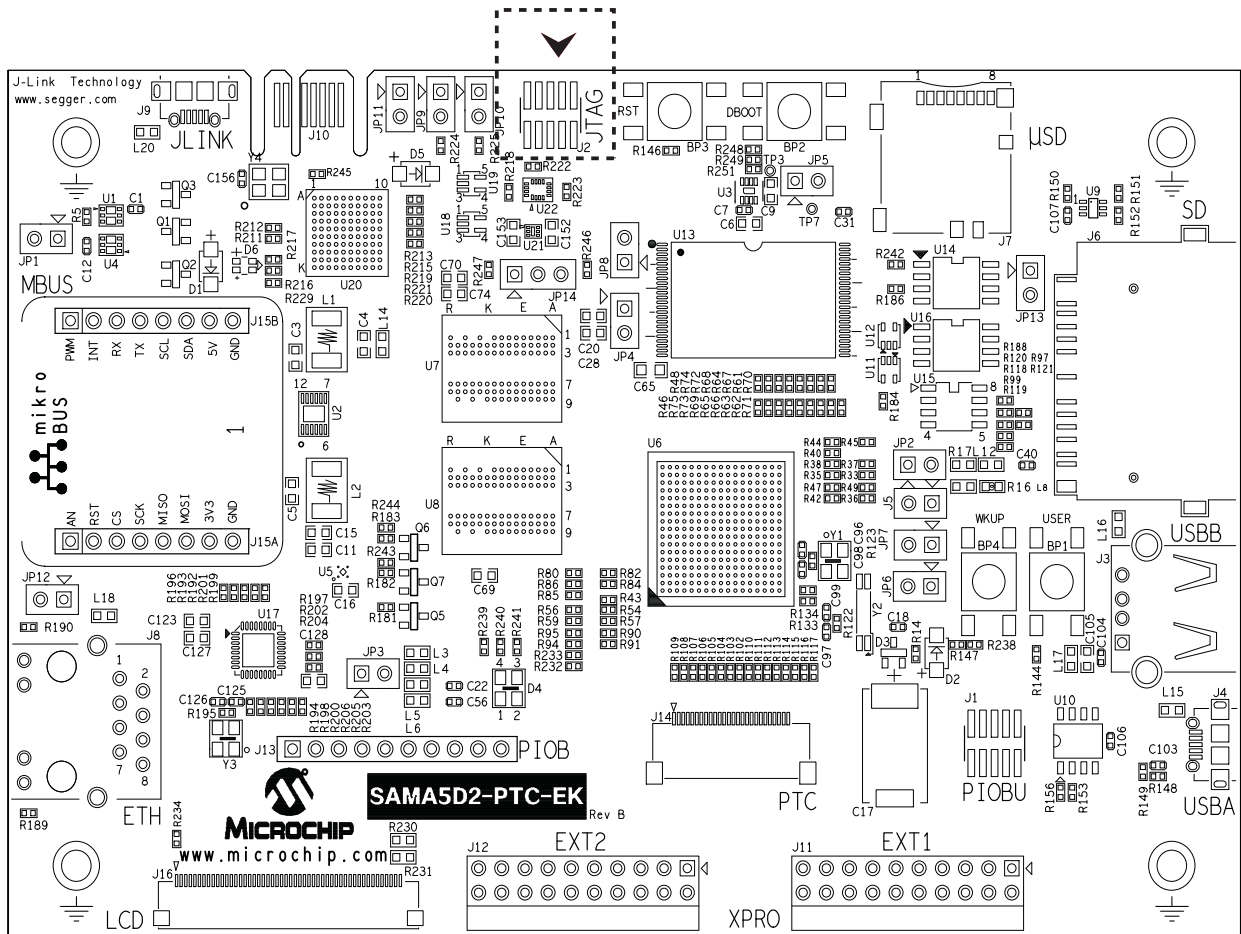


Figure 3-38. JTAG Connector J2 Location



The table below describes the pin assignment of JTAG connector J2.

Table 3-17. JTAG/ICE Connector J2 Pin Assignment

| Pin No | Mnemonic | Signal Description |
|--------|---|---|
| 1 | VTref. 3.3V power | This is the target reference voltage (main 3.3V). |
| 2 | TMS TEST MODE SELECT | JTAG mode set input into target CPU |
| 3 | GND | Common ground |
| 4 | TCK TEST CLOCK - Output timing signal, for synchronizing test logic and control register access | JTAG clock signal into target CPU |
| 5 | GND | Common ground |
| 6 | TDO JTAG TEST DATA OUTPUT - Serial data input from the target | JTAG data output from target CPU |
| 7 | RTCK - Input return test clock signal from the target | Some targets with a slow system clock must synchronize the JTAG inputs to internal clocks. In the present case, such synchronization is unneeded and TCK is merely looped back into RTCK. |
| 8 | TDI TEST DATA INPUT - Serial data output line, sampled on the rising edge of the TCK signal | JTAG data input into target CPU |
| 9 | GND | Common ground |
| 10 | nRST RESET | Active-low reset signal. Target CPU reset signal. |

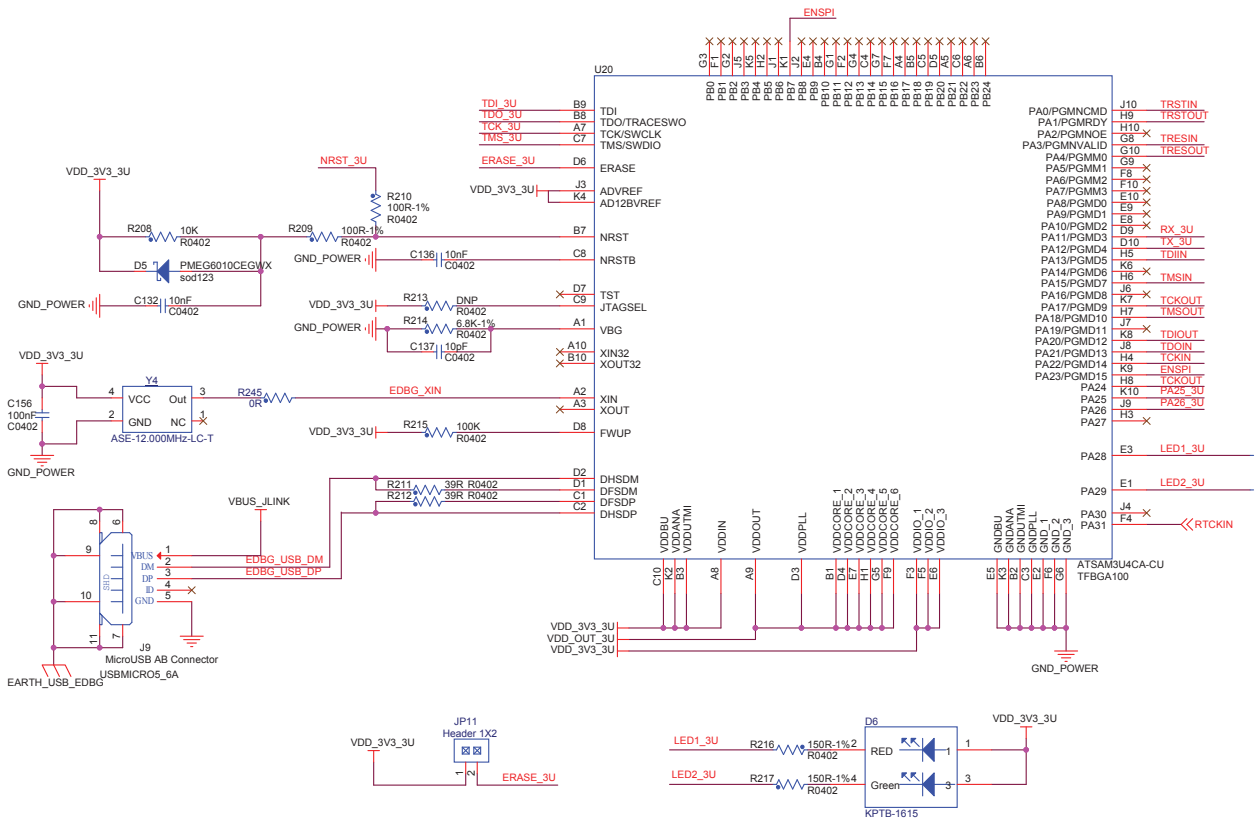
3.4.2 Embedded Debugger (JLINK-OB) Interface

The SAMA5D2-PTC-EK includes a built-in SEGGER J-Link-On-Board device. The functionality is implemented with an ATSAM3U4C microcontroller in an LFBGA100 package. The ATSAM3U4C provides the functions of JTAG and a bridge USB/Serial debug port (CDC). One two-colored LED (D6) mounted near the SAM3 chip (U20) shows the status of the J-Link-On-Board device.

J-Link-OB-ATSAM3U4C was designed in order to provide an efficient, low-cost, on-board alternative to the standard J-Link.

The USB JLINK-OB port is used as a secondary power source and as a communication link for the board, and derives power from the PC over the USB cable. This port is limited in most cases to 500 mA. A single PC USB port is sufficient to power the board.

Figure 3-39. JLINK-OB Interface



3.4.2.1 Disabling JLINK-OB (ATSAM3U4C)

Jumper JP10 disables the J-Link-OB-ATSAM3U4C JTAG functionality. When the jumper is installed, it grounds pin 26 of the ATSAM3U4C that is normally pulled high. A quad analog switch is used to select the JTAG interface.

- Jumper JP10 not installed: J-Link-OB-ATSAM3U4C is enabled and fully functional.
- Jumper JP10 installed: J-Link-OB-ATSAM3U4C is disabled and an external JTAG controller can be used through the 10-pin JTAG port J2.

Jumper JP10 disables only the J-Link functionality. The debug serial com port that is emulated through a Communication Device Class (CDC) of the same USB connector remains operational (if JP9 is open).

Figure 3-40. Enabling/Disabling JLINK-OB and JLINK-CDC

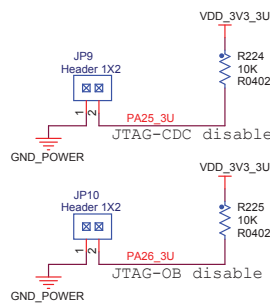
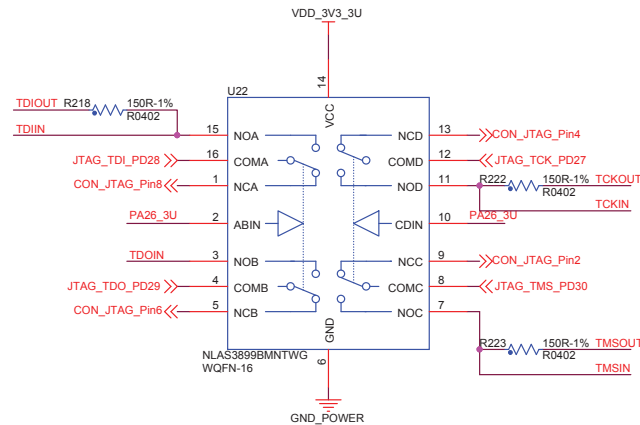


Figure 3-41. JTAG Switch



3.4.3 Hardware UART via CDC

In addition to the J-Link-OB functionality, the ATSAM3U4C microcontroller provides a bridge to a debug serial port (UART DBGU) of the SOM's processor. The port is made accessible over the same USB connection used by JTAG by implementing Communication Device Class (CDC), which allows terminal communication with the target device.

This feature is enabled only if the SAM3U/PA25 (pin K10) is not grounded. The pin is normally pulled high and controlled by jumper JP9.

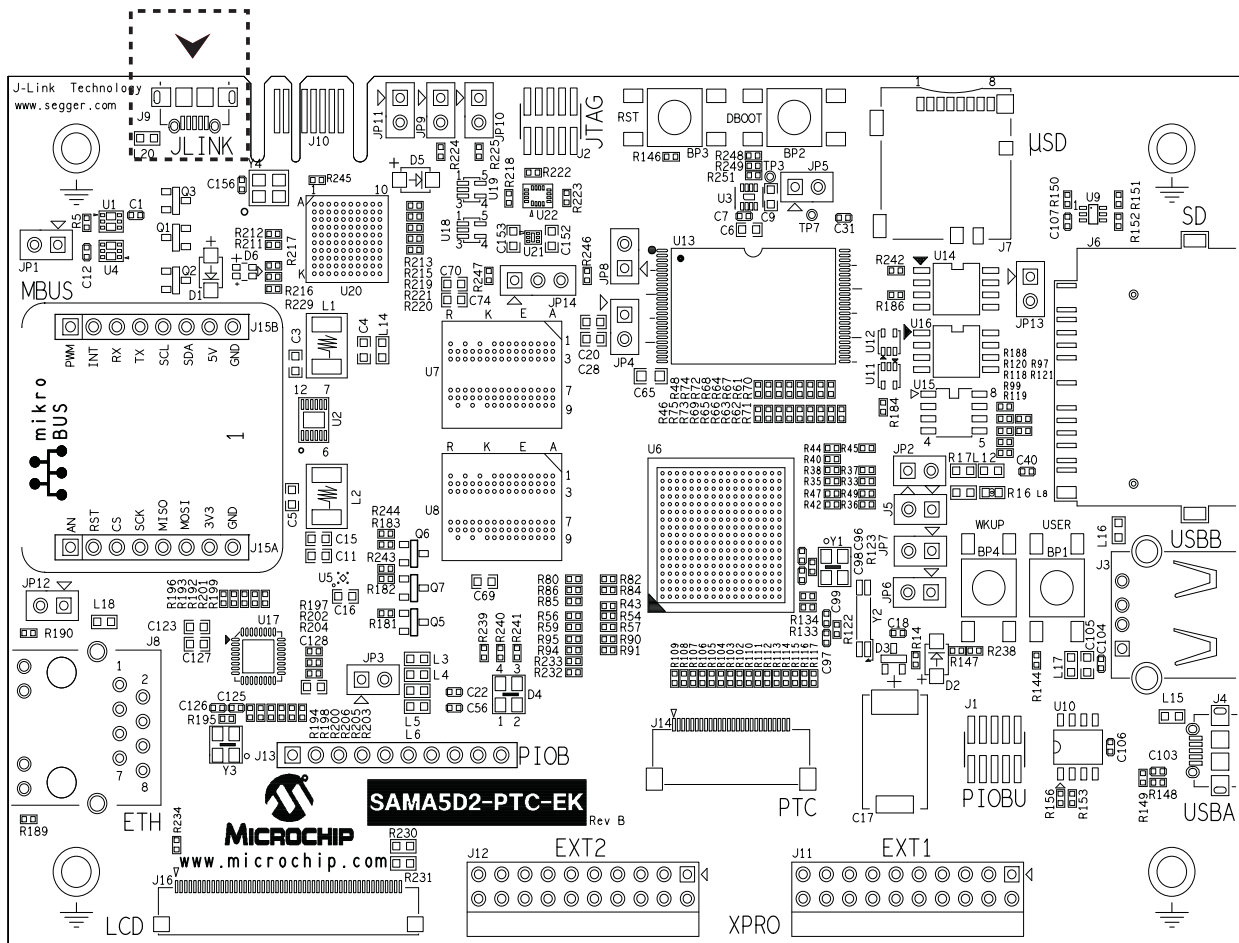
- Jumper JP9 not installed: the J-Link-CDC is enabled and fully functional.
- Jumper JP9 installed: the J-Link-CDC device is disabled.

The USB Communications Device Class (CDC) enables to convert the USB device into a serial communication device. The target device running USB-Device CDC is recognized by the host as a serial interface (USB2COM, virtual COM port) without the need to install a special host driver (since the CDC is standard). All PC software using a COM port work without modifications with this virtual COM port. Under Windows, the device shows up as a COM port; under Linux, as a /dev/ACMx device. This enables the user to use host software which was not designed to be used with USB, such as a terminal program.

Table 3-18. Debug COM Port PIOs Signal Descriptions

| PIO | Mnemonic | Shared | Signal Description |
|------|----------|--------|--------------------|
| PB26 | URXD0 | - | Receive data |
| PB27 | UTXD0 | - | Transmit data |

Figure 3-42. JLINK-OB and CDC USB Connector J9 Location



The table below describes the pin assignment of USB connector J9.

Table 3-19. USB Connector J9 Pin Assignment

| Pin No | Mnemonic | Signal Description |
|--------|----------|--------------------|
| 1 | VBUS | 5V power |
| 2 | DM | Data minus |
| 3 | DP | Data plus |
| 4 | ID | Not used |
| 5 | GND | Common ground |

3.4.3.1 Board Edge Connector

This connector is used to upgrade or download code to the ATSAM3U4C microcontroller JLINK-OB.

3.5 PIO Usage on Expansion Connectors

3.5.1 PIOBU Interface

The SAMA5D2-PTC-EK board features eight tamper pins for static or dynamic intrusion detection, UART reception, and two analog pins for comparison.

SAMA5D2-PTC-EK

Board Components

For a description of intrusion detection, refer to the SAMA5D2 datasheet, chapter "Security Module".

Figure 3-43. PIOBU Connector

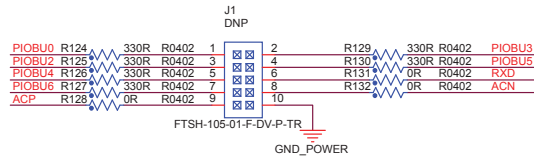
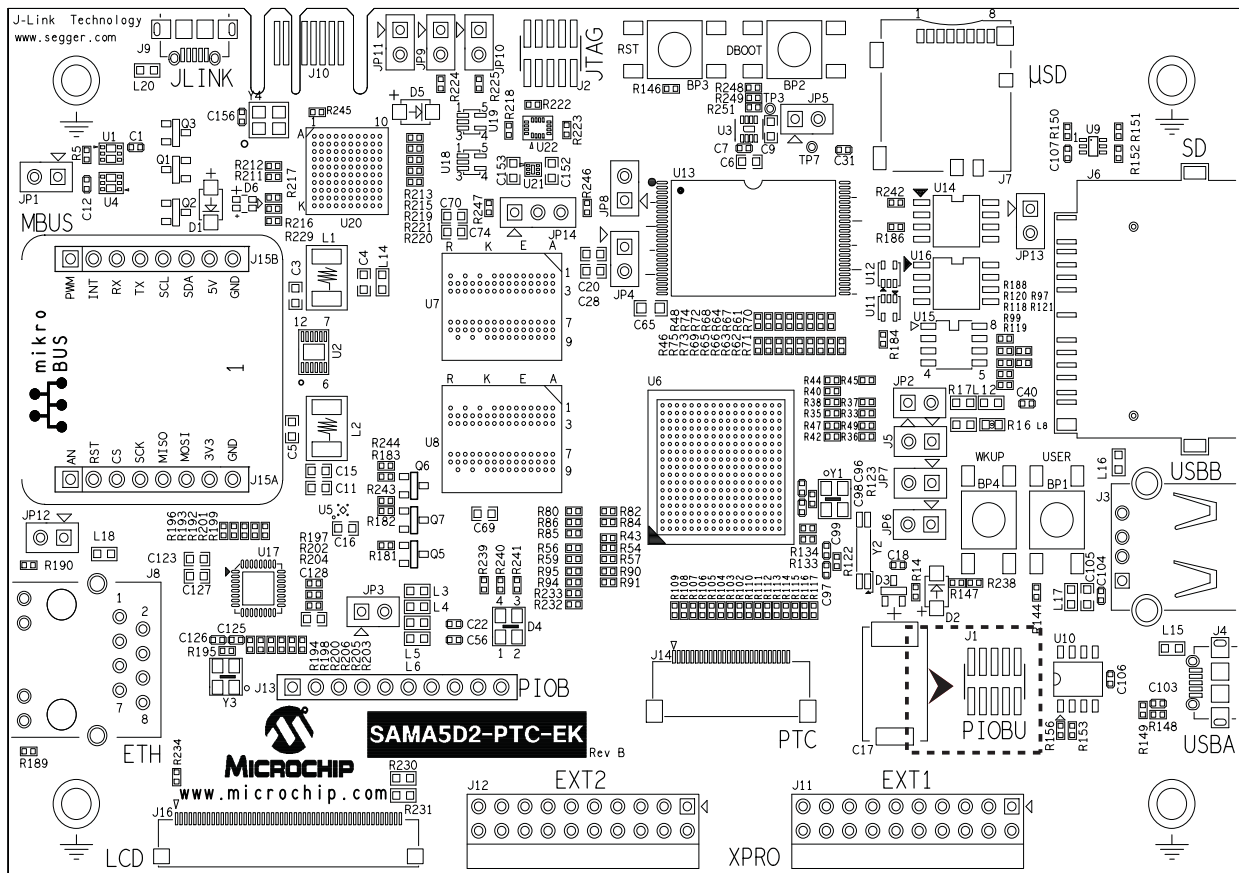


Figure 3-44. PIOBU Connector J1 Location



The table below describes the pin assignment of PIOBU connector J1.

Table 3-20. PIOBU Connector J1 Pin Assignment

| Signal | Pin No. | | Signal |
|--------|---------|----|--------|
| PIOBU0 | 1 | 2 | PIOBU3 |
| PIOBU2 | 3 | 4 | PIOBU5 |
| PIOBU4 | 5 | 6 | RXD |
| PIOBU6 | 7 | 8 | ACN |
| ACP | 9 | 10 | GND |

3.5.2 mikroBUS Interface

The SAMA5D2-PTC-EK hosts a pair of 8-pin female headers as mikroBus interface. The mikroBUS interface defines the main board sockets and add-on boards used for interfacing microprocessors with

SAMA5D2-PTC-EK

Board Components

integrated modules with proprietary pin configuration and silkscreen markings. The pinout consists of three groups of communication pins (SPI, UART and TWI), four additional pins (PWM, interrupt, analog input and reset) and two power groups (+3.3V and GND on the left, and 5V and GND on the right 1x8 header).

Figure 3-45. mikroBUS Interface

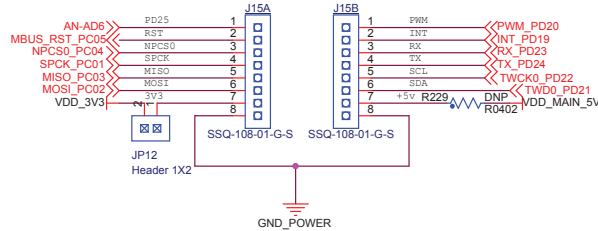
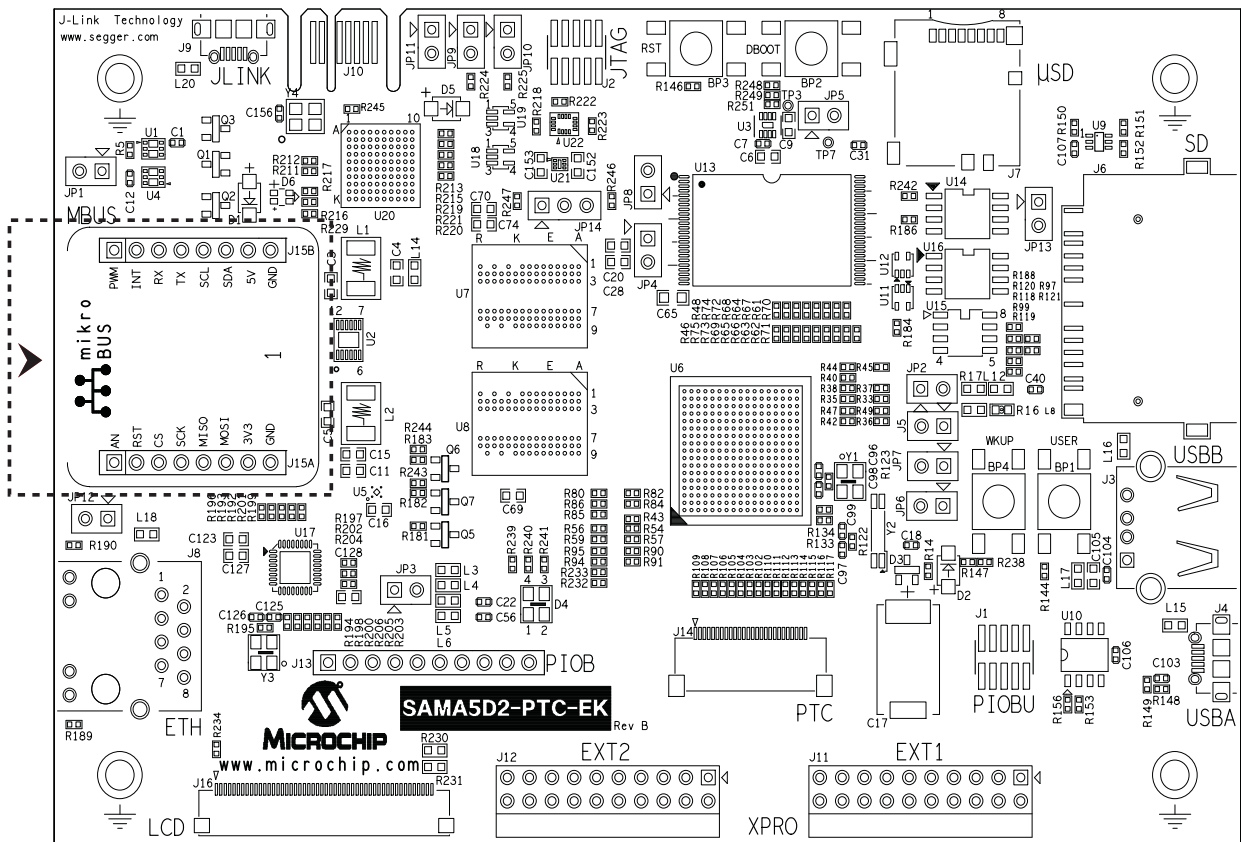


Figure 3-46. mikroBUS Connector J15 Location



The table below describes the pin assignment of mikroBUS1 connector J15.

Table 3-21. mikroBUS Connector J15 Pin Assignment

| SAMA5D27 | | | | SAMA5D27 | | | |
|-----------------|------|-------------|---------|-------------|------|--------------|--|
| Function | PIO | MBUS Signal | Pin No. | MBUS Signal | PIO | Function | |
| Analog input | PD25 | AN | 1 1 | PWM | PD20 | PWM | |
| Reset | PC05 | RST | 2 2 | INT | PD19 | Interrupt | |
| SPI chip select | PC04 | SPI_NPCS | 3 3 | UART_RX | PD23 | UART receive | |

| SAMA5D27 | | | | | SAMA5D27 | | |
|-----------|------|-------------|---------|---|-------------|------|---------------|
| Function | PIO | MBUS Signal | Pin No. | | MBUS Signal | PIO | Function |
| SPI clock | PC01 | SPI_SPCK | 4 | 4 | UART_TX | PD24 | UART transmit |
| SPI MISO | PC03 | SPI_MISO | 5 | 5 | TWI_SCL | PD22 | TWI clock |
| SPI MOSI | PC02 | SPI_MOSI | 6 | 6 | TWI_SDA | PD21 | TWI data |
| 3.3VCC | – | 3V3 Supply | 7 | 7 | 5V Supply | – | 5VDD |
| GROUND | – | GND | 8 | 8 | GND | – | GROUND |

3.5.3 XPRO Interface

The SAMA5D2-PTC-EK board hosts two connectors to interface XPRO QT boards. The QTouch Xplained Pro are extension boards that enable evaluation of Self-capacitance and Mutual capacitance modes using the Peripheral Touch Controller (PTC). The boards show how easy it is to design a capacitive touch board solution using the PTC without the need for any external components.

Nevertheless, the PTC IO pins available on XPRO connectors can be used as GPIO pins. Each of these can be configured as an input or output pin according to the PIO peripheral functions.

The GPIO voltage levels depend on the VDDIOP level supported by the SAMA5D2, 3.3V in this case.

Figure 3-47. XPRO EXT1 Connector

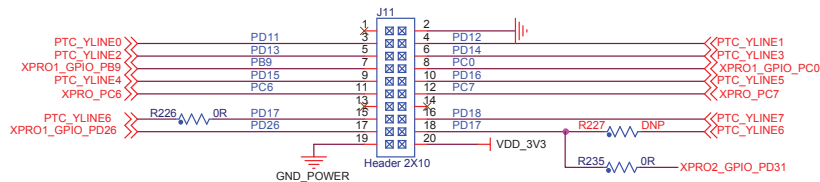
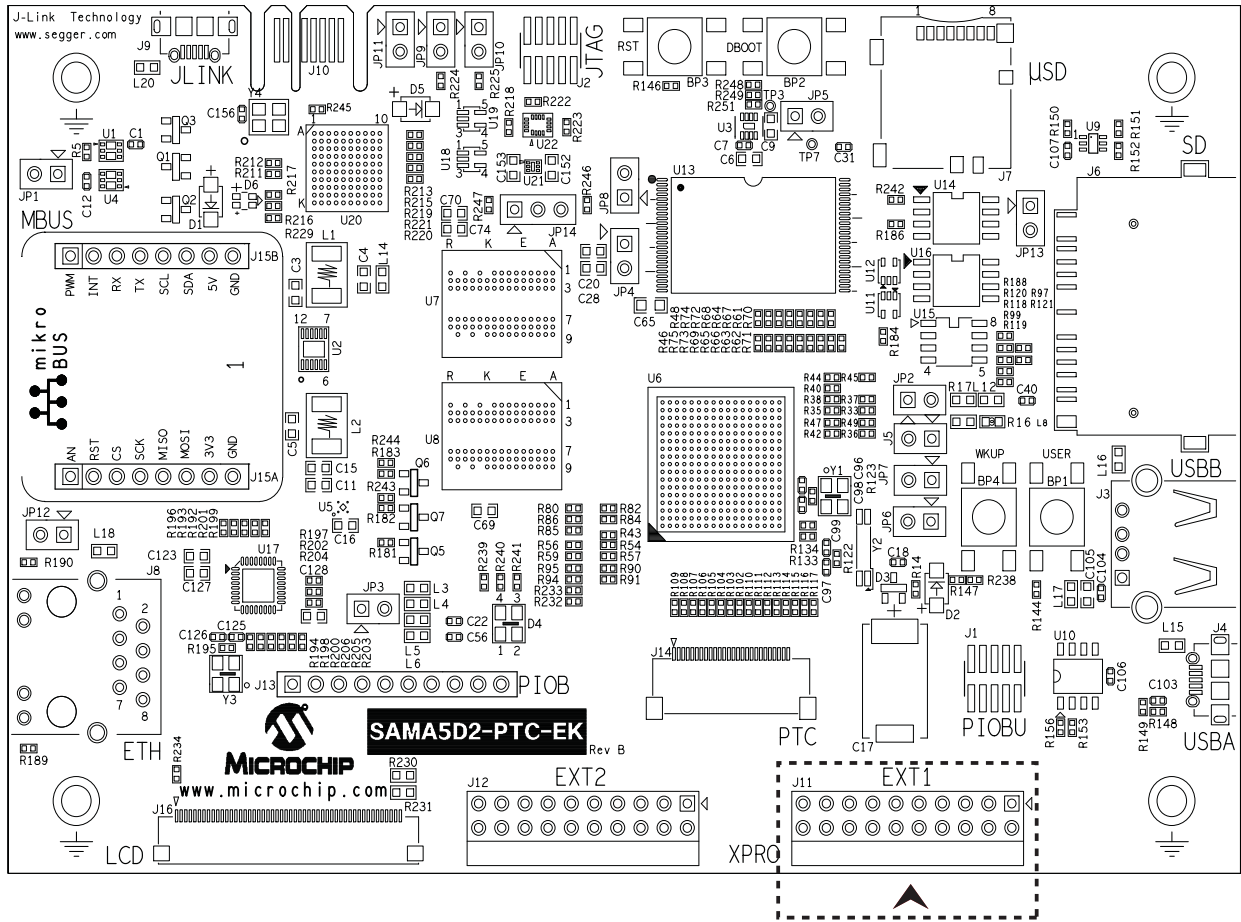


Figure 3-48. XPRO EXT1 Connector J11 Location



The table below describes the pin assignment of XPRO EXT1 connector J11.

Table 3-22. XPRO EXT1 Connector J11 Pin Assignment

| SAMA5D27 | | | | | | | SAMA5D27 | |
|------------|----------|-------------|---------|-------------|---------------|--------------|-------------|--|
| Function | Pin | XPRO Signal | Pin No. | XPRO Signal | Pin | Function | | |
| – | Not used | ID | 1 | 2 | GND | – | GROUND | |
| PTC_YLINE0 | PD11 | ADC(+) | 3 | 4 | ADC(-) | PD12 | PTC_YLINE1 | |
| PTC_YLINE2 | PD13 | GPIO | 5 | 6 | GPIO | PD14 | PTC_YLINE3 | |
| GPIO | PA10 | PWM(+) | 7 | 8 | PWM(-) | PC0 | GPIO | |
| PTC_YLINE4 | PD15 | IRQ/GPIO | 9 | 10 | SPI_SS_B/GPIO | PD16 | PTC_YLINE5 | |
| XPRO_TWD | PC6 | TWI_SDA | 11 | 12 | TWI_SCL | PC7 | XPRO_TWCK | |
| – | – | UART_RX | 13 | 14 | UART_TX | – | – | |
| PTC_YLINE6 | PD17 | SPI_SS_A | 15 | 16 | SPI_MOSI | PD18 | PTC_YLINE7 | |
| GPIO | PD26 | SPI_MISO | 17 | 18 | SPI_SCK | PD31 or PD17 | PTC_YLINE6 | |
| GROUND | – | GND | 19 | 20 | VCC 3V3 | – | 3.3V Supply | |

| SAMA5D27 | | XPRO Signal | Pin No. | | XPRO Signal | SAMA5D27 | |
|-------------|------|-------------|---------|----|-------------------|----------|-------------|
| Function | Pio | | | | | Pio | Function |
| PTC_XLIN E4 | PD7 | PWM(+) | 7 | 8 | PWM(-) | PD8 | PTC_XLIN E5 |
| PTC_XLIN E6 | PD9 | IRQ/GPIO | 9 | 10 | SPI_SS_B/ GPIO | PD10 | PTC_XLIN E7 |
| – | – | TWI_SDA | 11 | 12 | TWI_SCL | PD31 | GPIO |
| – | – | UART_RX | 13 | 14 | UART_TX | – | – |
| GPIO | PB25 | SPI_SS_A | 15 | 16 | SPI_MOSI | – | – |
| – | – | SPI_MISO | 17 | 18 | SPI_SCK | – | – |
| GROUND | – | GND | 19 | 20 | VCC 3V3 | – | 3.3V Supply |

3.5.4 Miscellaneous PIOB[0-7]

PIOs PB00 to PB07 are available on connector J13 and can be used as GPIO pins. Each of these can be configured as an input or output pin according to the PIO peripheral functions.

Figure 3-51. PIOs PB[0-7] Connector

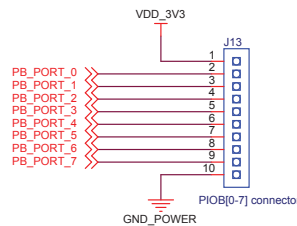
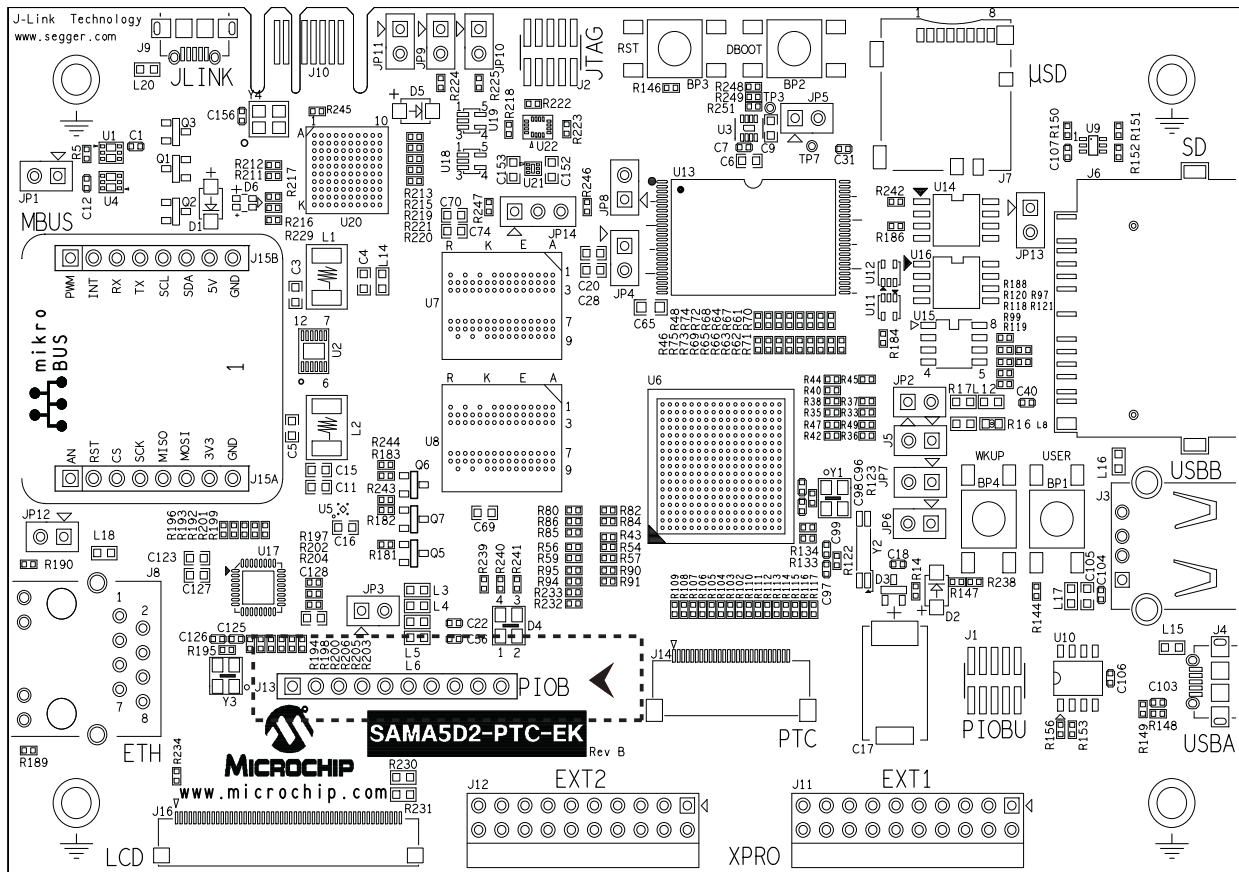


Figure 3-52. PIOB[0-7] Connector J13 Location



The table below describes the pin assignment of PIOs PB[0-7] connector J13.

Table 3-24. PIOs PB[0-7] Connector J13 Pin Assignment

| Pin No | PIO | Mnemonic | Shared | Signal Description |
|--------|-----|----------|------------|--------------------|
| 1 | — | VDD_3V3 | — | Main 3.3V |
| 2 | PB0 | GPIO | NAND Flash | PIO port B |
| 3 | PB1 | GPIO | NAND Flash | PIO port B |
| 4 | PB2 | GPIO | NAND Flash | PIO port B |
| 5 | PB3 | GPIO | — | PIO port B |
| 6 | PB4 | GPIO | — | PIO port B |
| 7 | PB5 | GPIO | — | PIO port B |
| 8 | PB6 | GPIO | LED_BLUE | PIO port B |
| 9 | PB7 | GPIO | — | PIO port B |
| 10 | — | GND | — | Common ground |

4. Installation and Operation

4.1 System and Configuration Requirements

The SAMA5D2-PTC-EK requires the following:

- Personal Computer
- USB cable

4.2 Board Setup

Follow these steps before using the SAMA5D2-PTC-EK:

1. Unpack the board, taking care to avoid electrostatic discharge.
2. Check the default jumper settings.
3. Connect the USB Micro-AB cable to connector J9.
4. Connect the other end of the cable to a free port of your PC.
5. Open a terminal (console 115200, N, 8, 1) on your Personal Computer.
6. Reset the board. A startup message appears on the console.

5. Appendix A. Schematics and Layouts

This appendix contains the following schematics and layouts for the SAMA5D2-PTC-EK board:

- [Title and Revision History](#)
- [Block Diagram](#)
- [Power Domains](#)
- [MPU Power](#)
- [DDR2-SDRAM](#)
- [PIOA & PIOB](#)
- [PIOC & PIOD](#)
- [System](#)
- [USB & TF](#)
- [Memories & RGB LED](#)
- [Ethernet 10/100M](#)
- [JLINK-OB](#)
- [EXT Connectors](#)

Figure 5-1. Title and Revision History

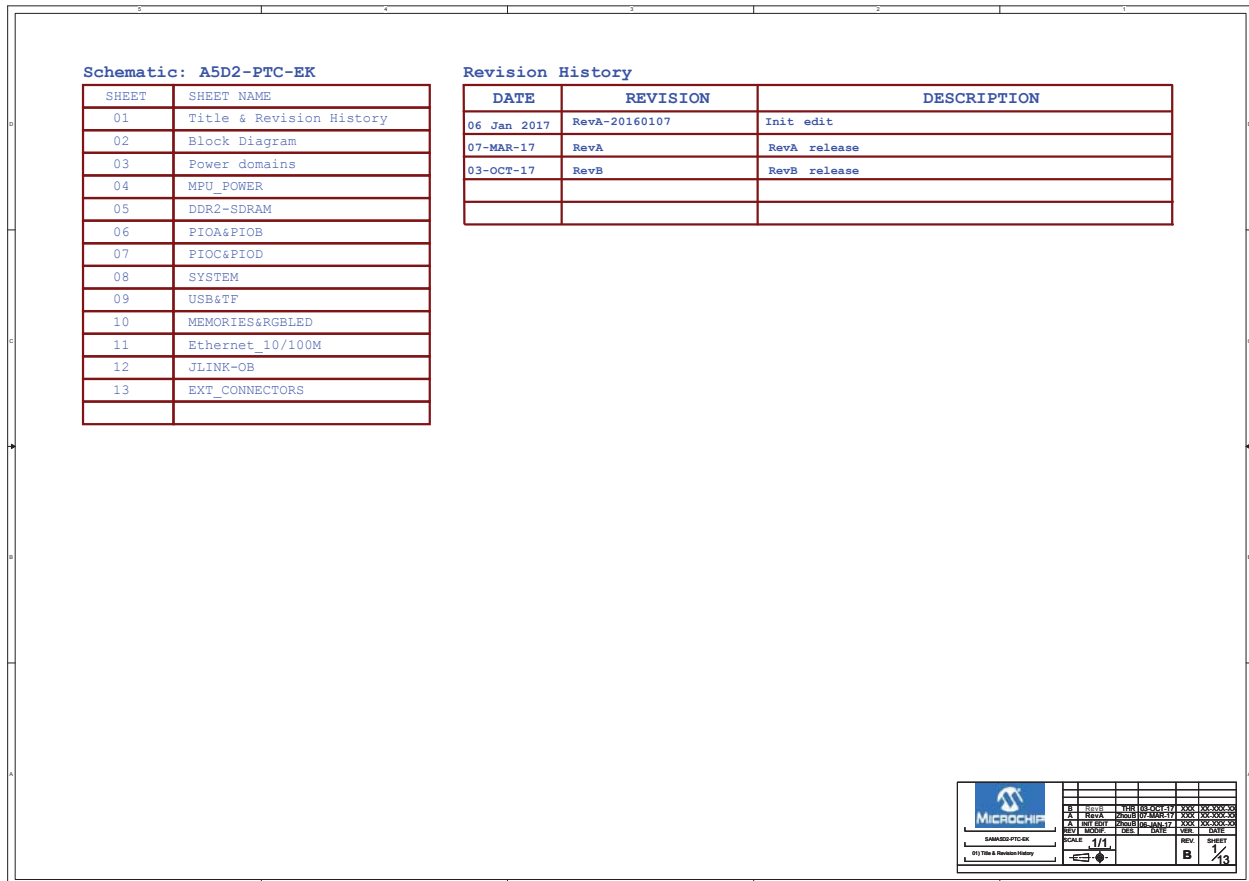


Figure 5-2. Block Diagram

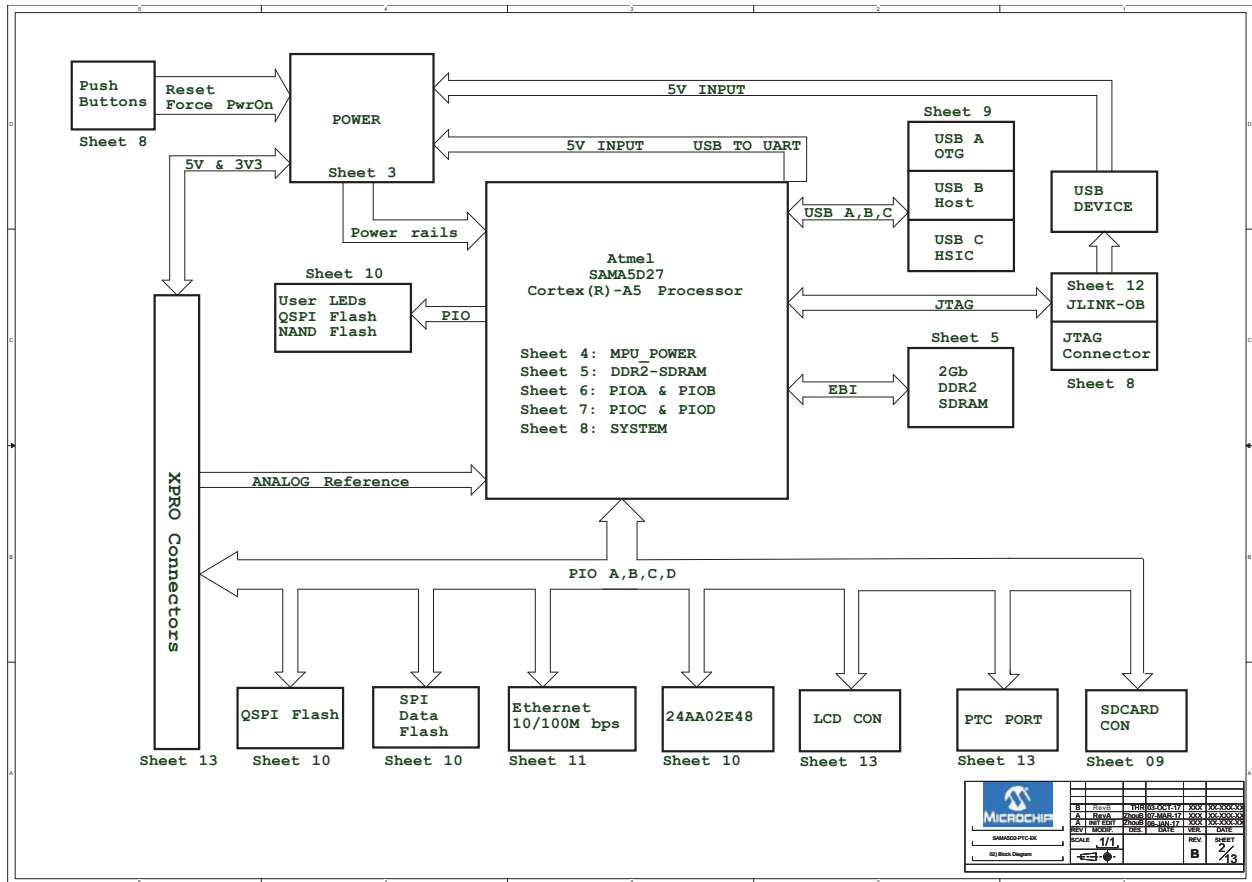


Figure 5-3. Power Domains

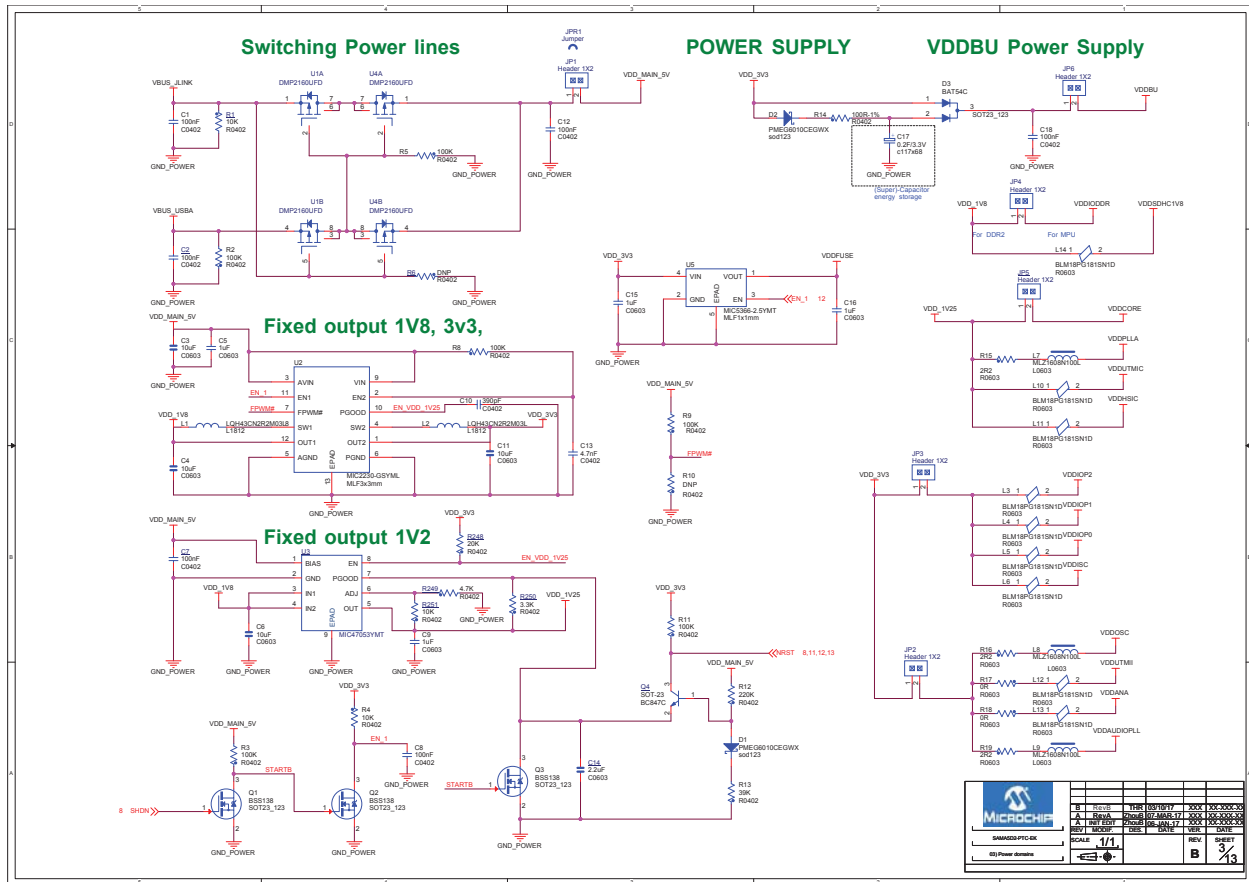
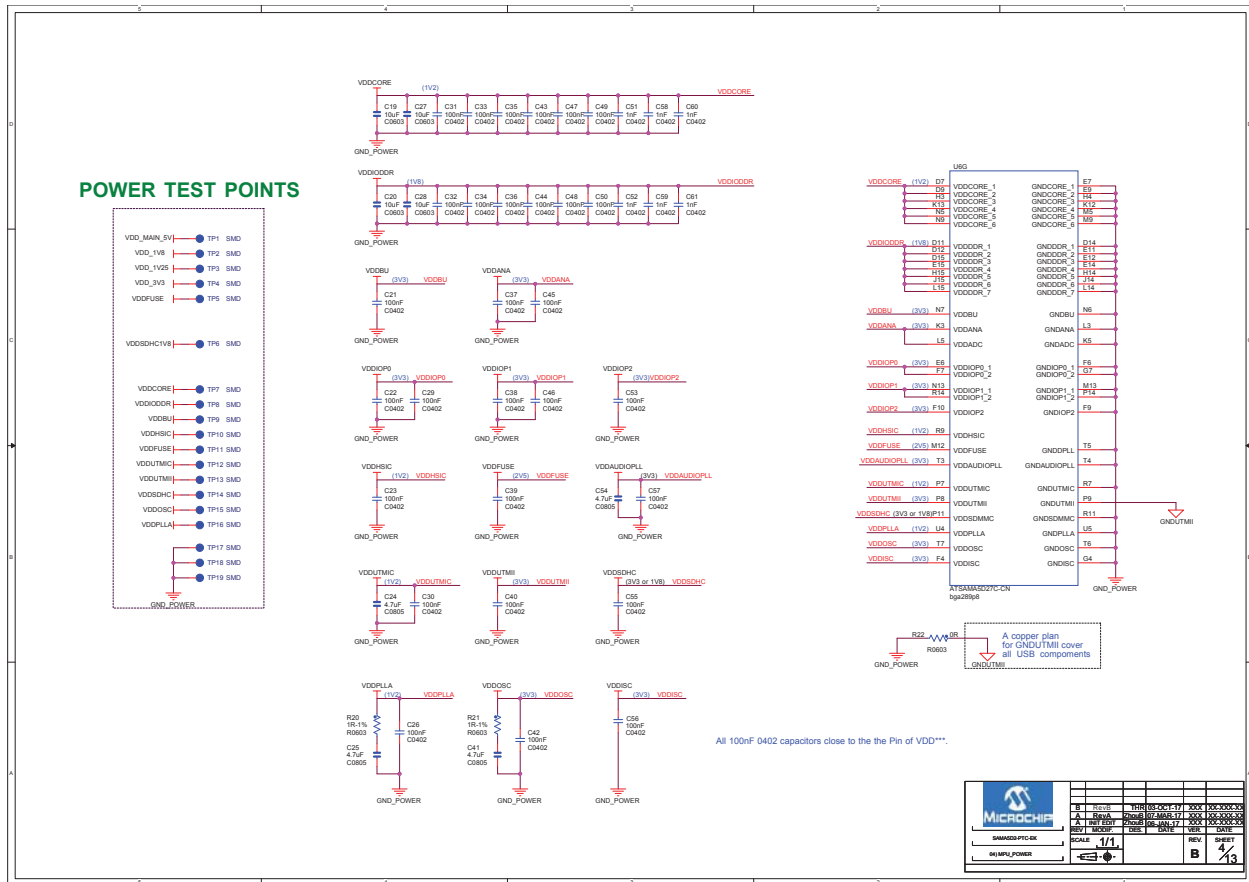


Figure 5-4. MPU Power



SAMA5D2-PTC-EK

Appendix A. Schematics and Layouts

Figure 5-5. DDR2-SDRAM

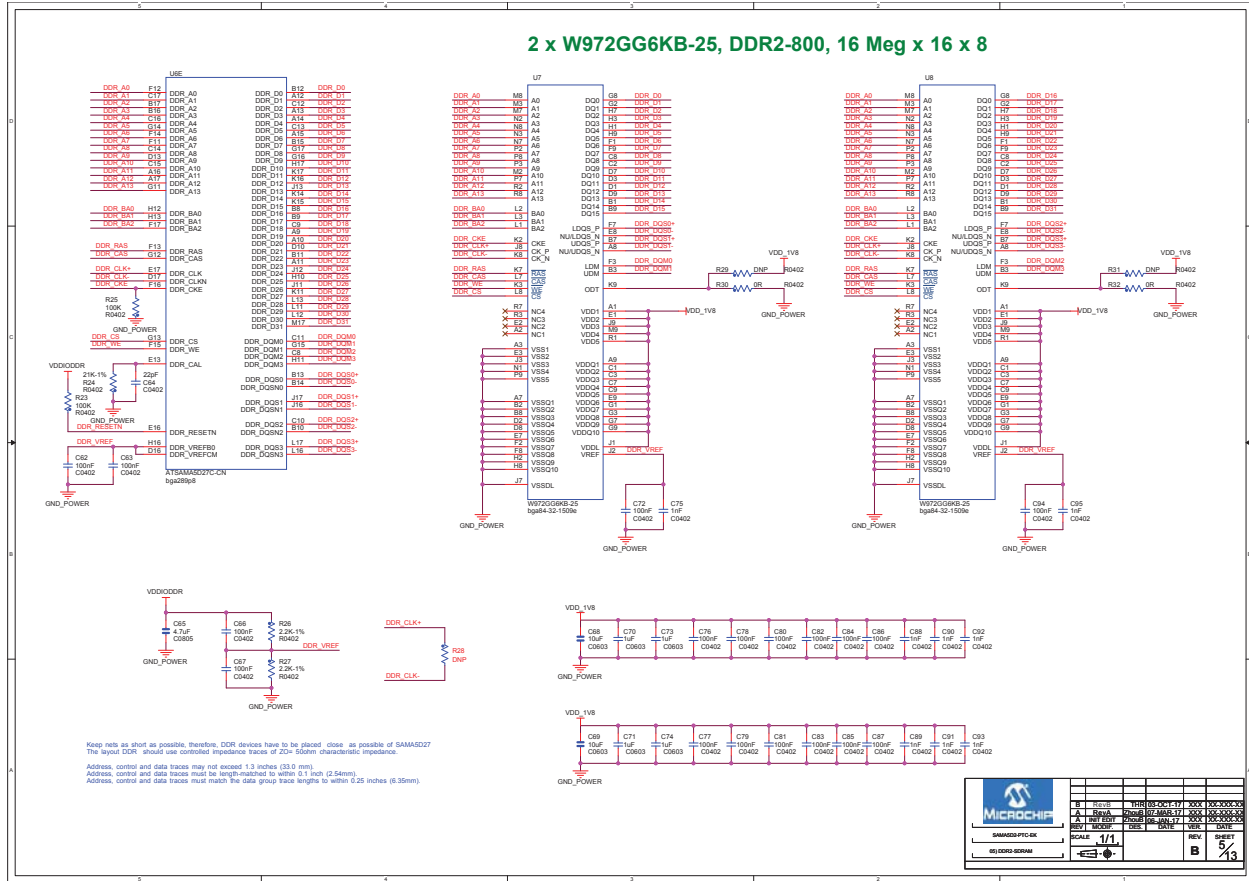
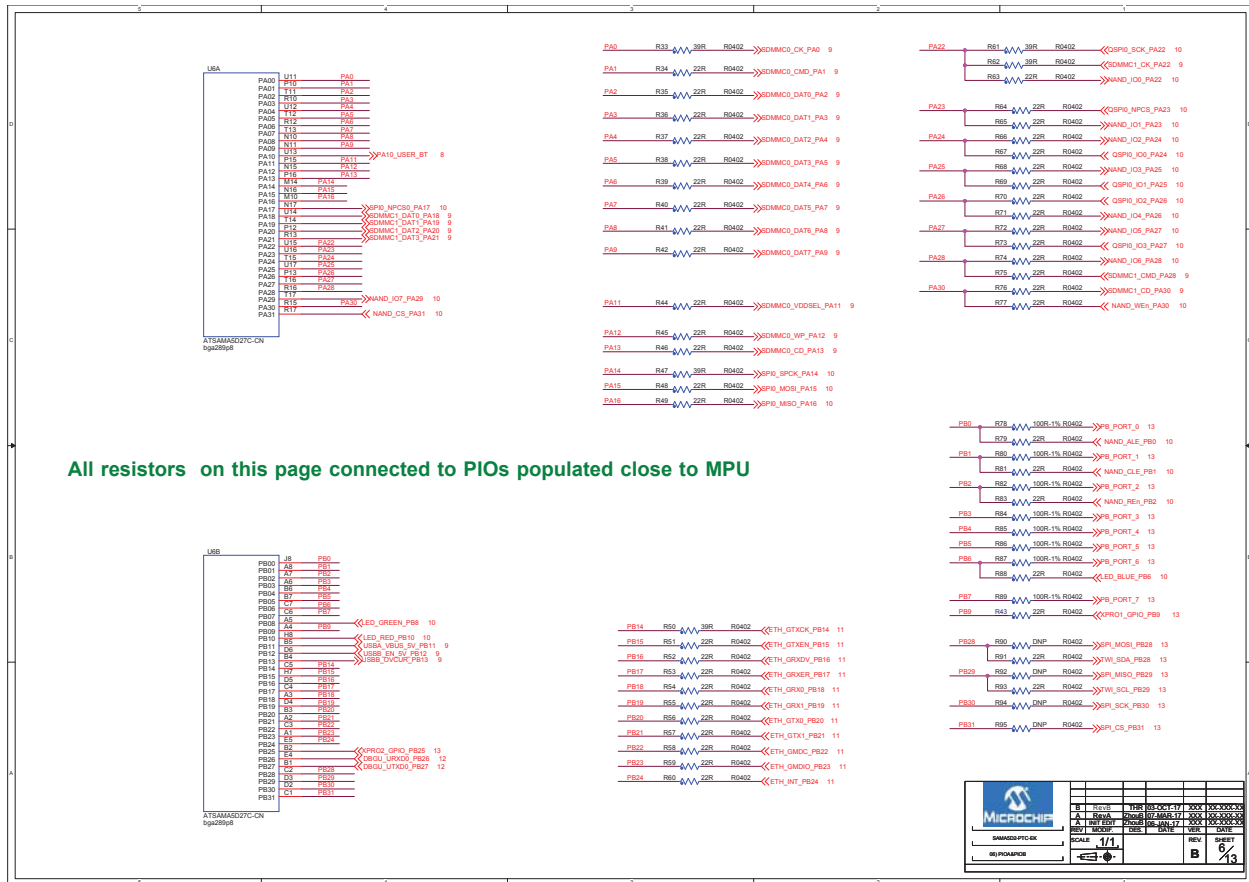


Figure 5-6. PIOA & PIOB



SAMA5D2-PTC-EK

Appendix A. Schematics and Layouts

Figure 5-8. System

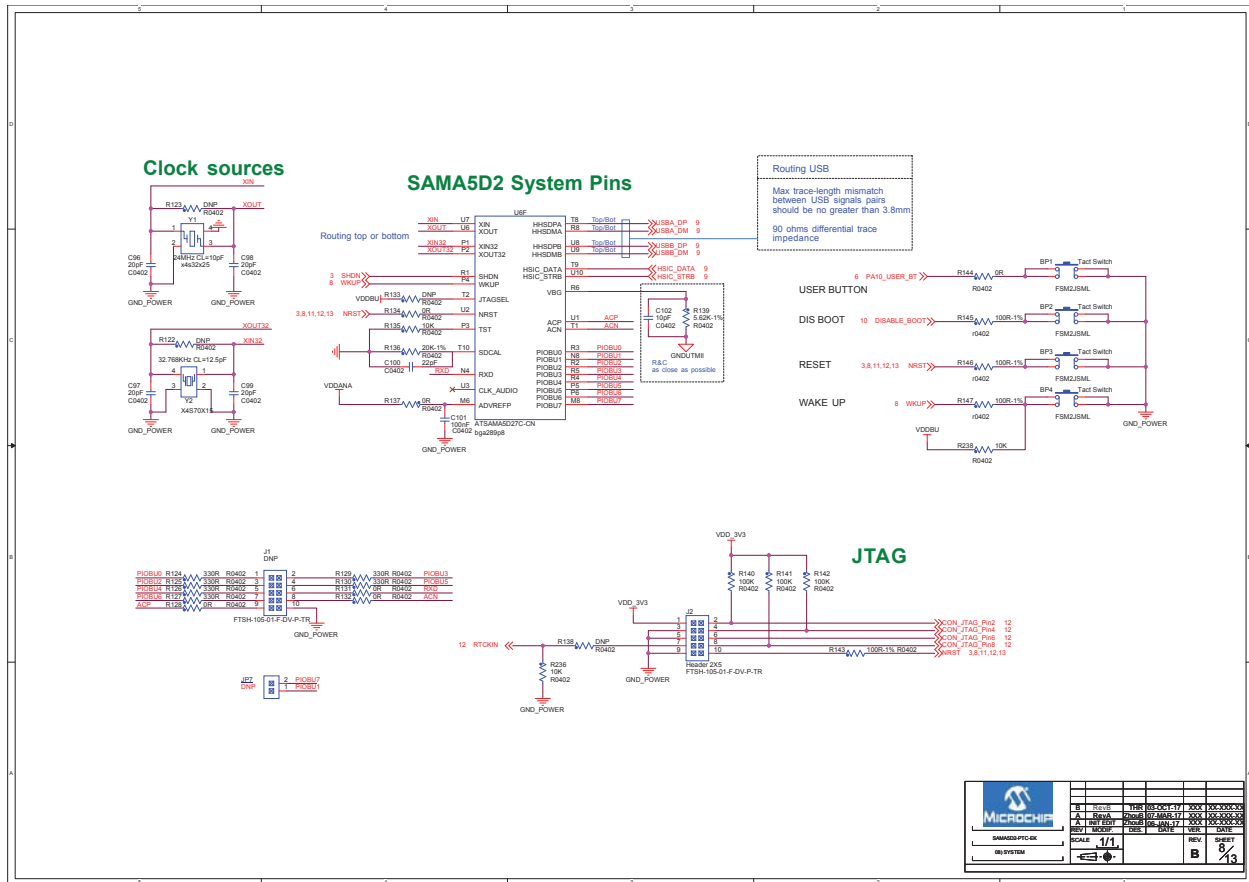


Figure 5-10. Memories & RGB LED

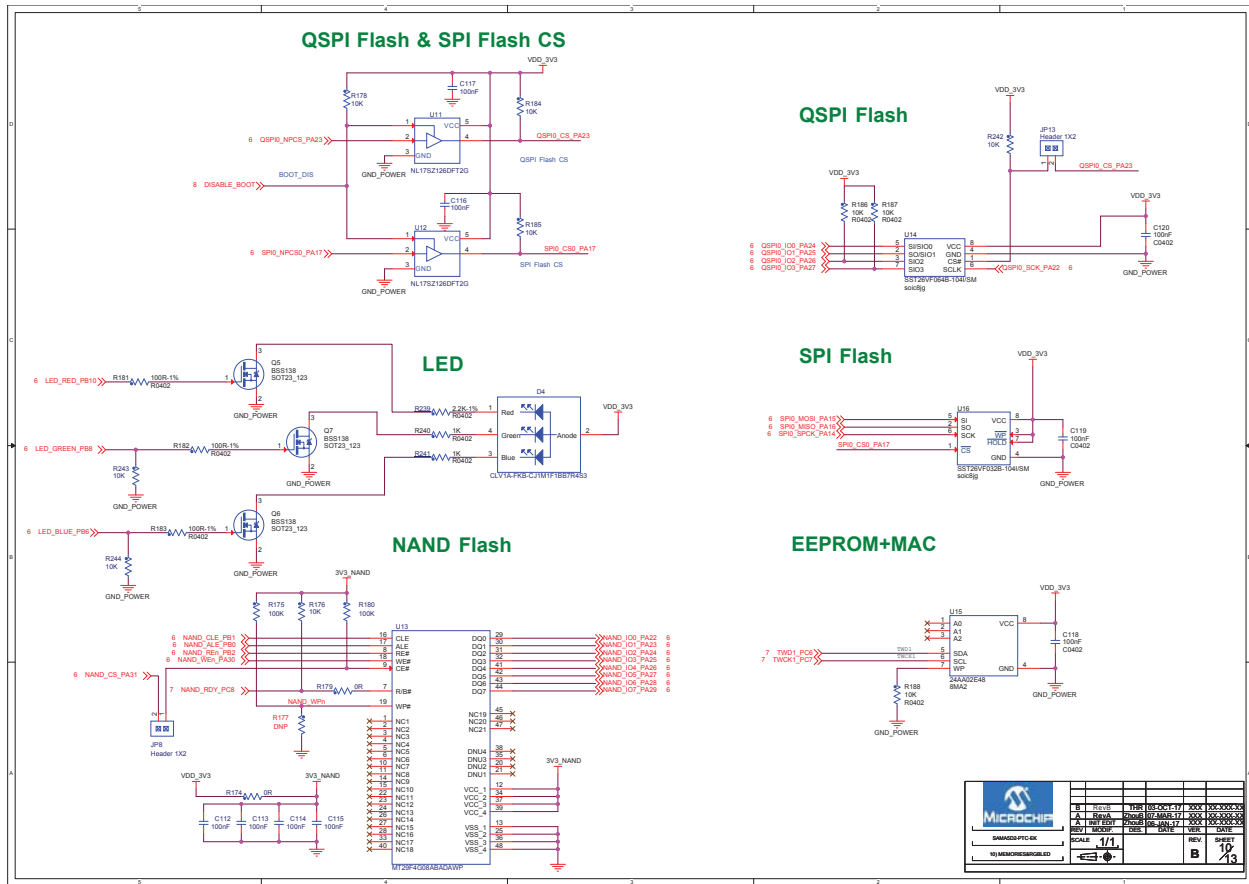


Figure 5-12. JLINK-OB

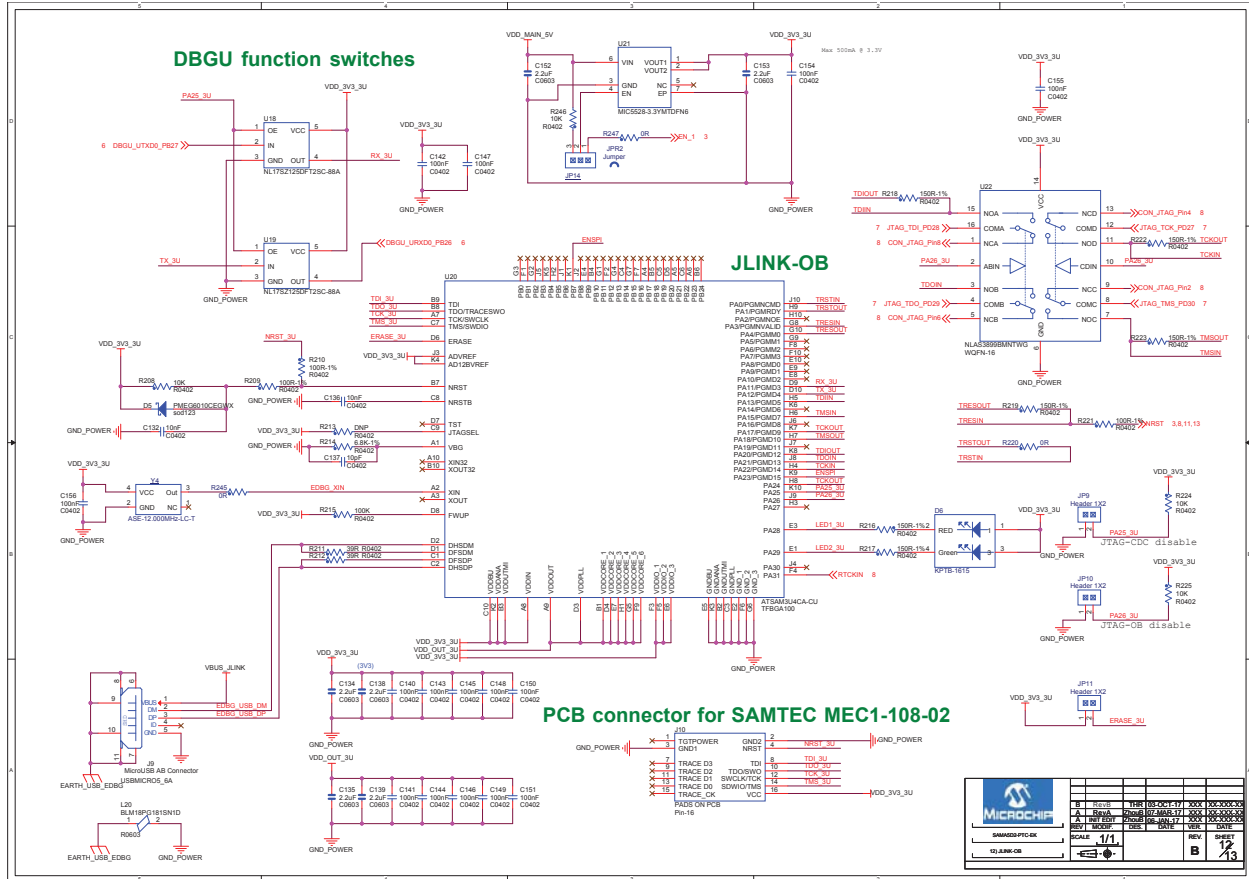
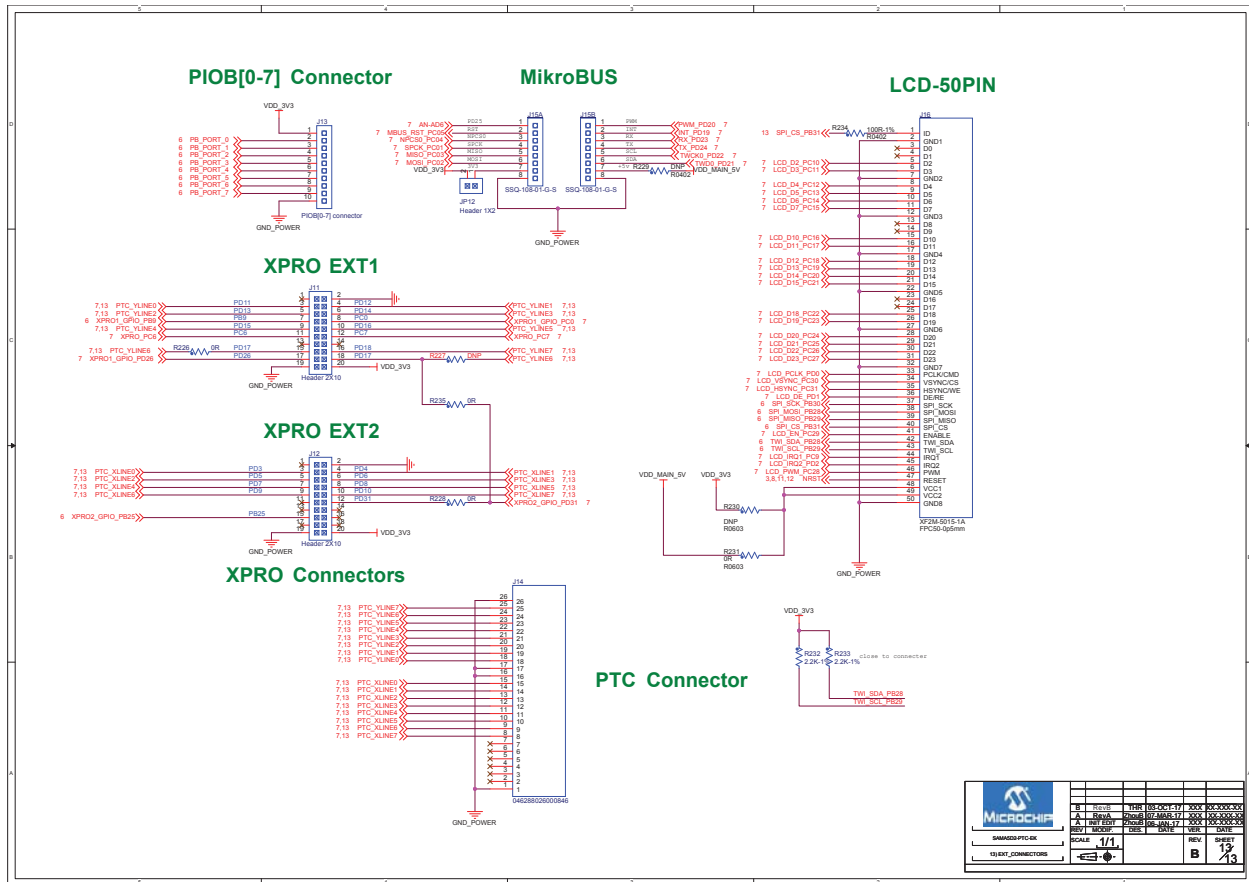


Figure 5-13. EXT Connectors



6. Revision History

6.1 Rev. A - 12/2017

This is the initial released version of this user's guide.

The Microchip Web Site

Microchip provides online support via our web site at <http://www.microchip.com/>. This web site is used as a means to make files and information easily available to customers. Accessible by using your favorite Internet browser, the web site contains the following information:

- **Product Support** – Data sheets and errata, application notes and sample programs, design resources, user's guides and hardware support documents, latest software releases and archived software
- **General Technical Support** – Frequently Asked Questions (FAQ), technical support requests, online discussion groups, Microchip consultant program member listing
- **Business of Microchip** – Product selector and ordering guides, latest Microchip press releases, listing of seminars and events, listings of Microchip sales offices, distributors and factory representatives

Customer Change Notification Service

Microchip's customer notification service helps keep customers current on Microchip products. Subscribers will receive e-mail notification whenever there are changes, updates, revisions or errata related to a specified product family or development tool of interest.

To register, access the Microchip web site at <http://www.microchip.com/>. Under "Support", click on "Customer Change Notification" and follow the registration instructions.

Customer Support

Users of Microchip products can receive assistance through several channels:

- Distributor or Representative
- Local Sales Office
- Field Application Engineer (FAE)
- Technical Support

Customers should contact their distributor, representative or Field Application Engineer (FAE) for support. Local sales offices are also available to help customers. A listing of sales offices and locations is included in the back of this document.

Technical support is available through the web site at: <http://www.microchip.com/support>

Microchip Devices Code Protection Feature

Note the following details of the code protection feature on Microchip devices:

- Microchip products meet the specification contained in their particular Microchip Data Sheet.
- Microchip believes that its family of products is one of the most secure families of its kind on the market today, when used in the intended manner and under normal conditions.
- There are dishonest and possibly illegal methods used to breach the code protection feature. All of these methods, to our knowledge, require using the Microchip products in a manner outside the operating specifications contained in Microchip's Data Sheets. Most likely, the person doing so is engaged in theft of intellectual property.
- Microchip is willing to work with the customer who is concerned about the integrity of their code.

- Neither Microchip nor any other semiconductor manufacturer can guarantee the security of their code. Code protection does not mean that we are guaranteeing the product as “unbreakable.”

Code protection is constantly evolving. We at Microchip are committed to continuously improving the code protection features of our products. Attempts to break Microchip’s code protection feature may be a violation of the Digital Millennium Copyright Act. If such acts allow unauthorized access to your software or other copyrighted work, you may have a right to sue for relief under that Act.

Legal Notice

Information contained in this publication regarding device applications and the like is provided only for your convenience and may be superseded by updates. It is your responsibility to ensure that your application meets with your specifications. MICROCHIP MAKES NO REPRESENTATIONS OR WARRANTIES OF ANY KIND WHETHER EXPRESS OR IMPLIED, WRITTEN OR ORAL, STATUTORY OR OTHERWISE, RELATED TO THE INFORMATION, INCLUDING BUT NOT LIMITED TO ITS CONDITION, QUALITY, PERFORMANCE, MERCHANTABILITY OR FITNESS FOR PURPOSE. Microchip disclaims all liability arising from this information and its use. Use of Microchip devices in life support and/or safety applications is entirely at the buyer’s risk, and the buyer agrees to defend, indemnify and hold harmless Microchip from any and all damages, claims, suits, or expenses resulting from such use. No licenses are conveyed, implicitly or otherwise, under any Microchip intellectual property rights unless otherwise stated.

Trademarks

The Microchip name and logo, the Microchip logo, AnyRate, AVR, AVR logo, AVR Freaks, BeaconThings, BitCloud, CryptoMemory, CryptoRF, dsPIC, FlashFlex, flexPWR, Heldo, JukeBlox, KeeLoq, KeeLoq logo, Kleer, LANCheck, LINK MD, maXStylus, maXTouch, MediaLB, megaAVR, MOST, MOST logo, MPLAB, OptoLyzer, PIC, picoPower, PICSTART, PIC32 logo, Prochip Designer, QTouch, RightTouch, SAM-BA, SpyNIC, SST, SST Logo, SuperFlash, tinyAVR, UNI/O, and XMEGA are registered trademarks of Microchip Technology Incorporated in the U.S.A. and other countries.

ClockWorks, The Embedded Control Solutions Company, EtherSynch, Hyper Speed Control, HyperLight Load, IntelliMOS, mTouch, Precision Edge, and Quiet-Wire are registered trademarks of Microchip Technology Incorporated in the U.S.A.

Adjacent Key Suppression, AKS, Analog-for-the-Digital Age, Any Capacitor, AnyIn, AnyOut, BodyCom, chipKIT, chipKIT logo, CodeGuard, CryptoAuthentication, CryptoCompanion, CryptoController, dsPICDEM, dsPICDEM.net, Dynamic Average Matching, DAM, ECAN, EtherGREEN, In-Circuit Serial Programming, ICSP, Inter-Chip Connectivity, JitterBlocker, KleerNet, KleerNet logo, Mindi, MiWi, motorBench, MPASM, MPF, MPLAB Certified logo, MPLIB, MPLINK, MultiTRAK, NetDetach, Omniscient Code Generation, PICDEM, PICDEM.net, PICkit, PICtail, PureSilicon, QMatrix, RightTouch logo, REAL ICE, Ripple Blocker, SAM-ICE, Serial Quad I/O, SMART-I.S., SQI, SuperSwitcher, SuperSwitcher II, Total Endurance, TSHARC, USBCheck, VariSense, ViewSpan, WiperLock, Wireless DNA, and ZENA are trademarks of Microchip Technology Incorporated in the U.S.A. and other countries.

SQTP is a service mark of Microchip Technology Incorporated in the U.S.A.

Silicon Storage Technology is a registered trademark of Microchip Technology Inc. in other countries.

GestIC is a registered trademark of Microchip Technology Germany II GmbH & Co. KG, a subsidiary of Microchip Technology Inc., in other countries.

All other trademarks mentioned herein are property of their respective companies.

© 2017, Microchip Technology Incorporated, Printed in the U.S.A., All Rights Reserved.

ISBN: 978-1-5224-2416-1

Quality Management System Certified by DNV

ISO/TS 16949

Microchip received ISO/TS-16949:2009 certification for its worldwide headquarters, design and wafer fabrication facilities in Chandler and Tempe, Arizona; Gresham, Oregon and design centers in California and India. The Company's quality system processes and procedures are for its PIC[®] MCUs and dsPIC[®] DSCs, KEELOQ[®] code hopping devices, Serial EEPROMs, microperipherals, nonvolatile memory and analog products. In addition, Microchip's quality system for the design and manufacture of development systems is ISO 9001:2000 certified.

Worldwide Sales and Service

| AMERICAS | ASIA/PACIFIC | ASIA/PACIFIC | EUROPE |
|--|---|--|--|
| <p>Corporate Office 2355 West Chandler Blvd. Chandler, AZ 85224-6199 Tel: 480-792-7200 Fax: 480-792-7277 Technical Support: http://www.microchip.com/support Web Address: www.microchip.com</p> <p>Atlanta Duluth, GA Tel: 678-957-9614 Fax: 678-957-1455</p> <p>Austin, TX Tel: 512-257-3370</p> <p>Boston Westborough, MA Tel: 774-760-0087 Fax: 774-760-0088</p> <p>Chicago Itasca, IL Tel: 630-285-0071 Fax: 630-285-0075</p> <p>Dallas Addison, TX Tel: 972-818-7423 Fax: 972-818-2924</p> <p>Detroit Novi, MI Tel: 248-848-4000</p> <p>Houston, TX Tel: 281-894-5983</p> <p>Indianapolis Noblesville, IN Tel: 317-773-8323 Fax: 317-773-5453 Tel: 317-536-2380</p> <p>Los Angeles Mission Viejo, CA Tel: 949-462-9523 Fax: 949-462-9608 Tel: 951-273-7800</p> <p>Raleigh, NC Tel: 919-844-7510</p> <p>New York, NY Tel: 631-435-6000</p> <p>San Jose, CA Tel: 408-735-9110 Tel: 408-436-4270</p> <p>Canada - Toronto Tel: 905-695-1980 Fax: 905-695-2078</p> | <p>Australia - Sydney Tel: 61-2-9868-6733</p> <p>China - Beijing Tel: 86-10-8569-7000</p> <p>China - Chengdu Tel: 86-28-8665-5511</p> <p>China - Chongqing Tel: 86-23-8980-9588</p> <p>China - Dongguan Tel: 86-769-8702-9880</p> <p>China - Guangzhou Tel: 86-20-8755-8029</p> <p>China - Hangzhou Tel: 86-571-8792-8115</p> <p>China - Hong Kong SAR Tel: 852-2943-5100</p> <p>China - Nanjing Tel: 86-25-8473-2460</p> <p>China - Qingdao Tel: 86-532-8502-7355</p> <p>China - Shanghai Tel: 86-21-3326-8000</p> <p>China - Shenyang Tel: 86-24-2334-2829</p> <p>China - Shenzhen Tel: 86-755-8864-2200</p> <p>China - Suzhou Tel: 86-186-6233-1526</p> <p>China - Wuhan Tel: 86-27-5980-5300</p> <p>China - Xian Tel: 86-29-8833-7252</p> <p>China - Xiamen Tel: 86-592-2388138</p> <p>China - Zhuhai Tel: 86-756-3210040</p> | <p>India - Bangalore Tel: 91-80-3090-4444</p> <p>India - New Delhi Tel: 91-11-4160-8631</p> <p>India - Pune Tel: 91-20-4121-0141</p> <p>Japan - Osaka Tel: 81-6-6152-7160</p> <p>Japan - Tokyo Tel: 81-3-6880-3770</p> <p>Korea - Daegu Tel: 82-53-744-4301</p> <p>Korea - Seoul Tel: 82-2-554-7200</p> <p>Malaysia - Kuala Lumpur Tel: 60-3-7651-7906</p> <p>Malaysia - Penang Tel: 60-4-227-8870</p> <p>Philippines - Manila Tel: 63-2-634-9065</p> <p>Singapore Tel: 65-6334-8870</p> <p>Taiwan - Hsin Chu Tel: 886-3-577-8366</p> <p>Taiwan - Kaohsiung Tel: 886-7-213-7830</p> <p>Taiwan - Taipei Tel: 886-2-2508-8600</p> <p>Thailand - Bangkok Tel: 66-2-694-1351</p> <p>Vietnam - Ho Chi Minh Tel: 84-28-5448-2100</p> | <p>Austria - Wels Tel: 43-7242-2244-39 Fax: 43-7242-2244-393</p> <p>Denmark - Copenhagen Tel: 45-4450-2828 Fax: 45-4485-2829</p> <p>Finland - Espoo Tel: 358-9-4520-820</p> <p>France - Paris Tel: 33-1-69-53-63-20 Fax: 33-1-69-30-90-79</p> <p>Germany - Garching Tel: 49-8931-9700</p> <p>Germany - Haan Tel: 49-2129-3766400</p> <p>Germany - Heilbronn Tel: 49-7131-67-3636</p> <p>Germany - Karlsruhe Tel: 49-721-625370</p> <p>Germany - Munich Tel: 49-89-627-144-0 Fax: 49-89-627-144-44</p> <p>Germany - Rosenheim Tel: 49-8031-354-560</p> <p>Israel - Ra'anana Tel: 972-9-744-7705</p> <p>Italy - Milan Tel: 39-0331-742611 Fax: 39-0331-466781</p> <p>Italy - Padova Tel: 39-049-7625286</p> <p>Netherlands - Drunen Tel: 31-416-690399 Fax: 31-416-690340</p> <p>Norway - Trondheim Tel: 47-7289-7561</p> <p>Poland - Warsaw Tel: 48-22-3325737</p> <p>Romania - Bucharest Tel: 40-21-407-87-50</p> <p>Spain - Madrid Tel: 34-91-708-08-90 Fax: 34-91-708-08-91</p> <p>Sweden - Gothenberg Tel: 46-31-704-60-40</p> <p>Sweden - Stockholm Tel: 46-8-5090-4654</p> <p>UK - Wokingham Tel: 44-118-921-5800 Fax: 44-118-921-5820</p> |