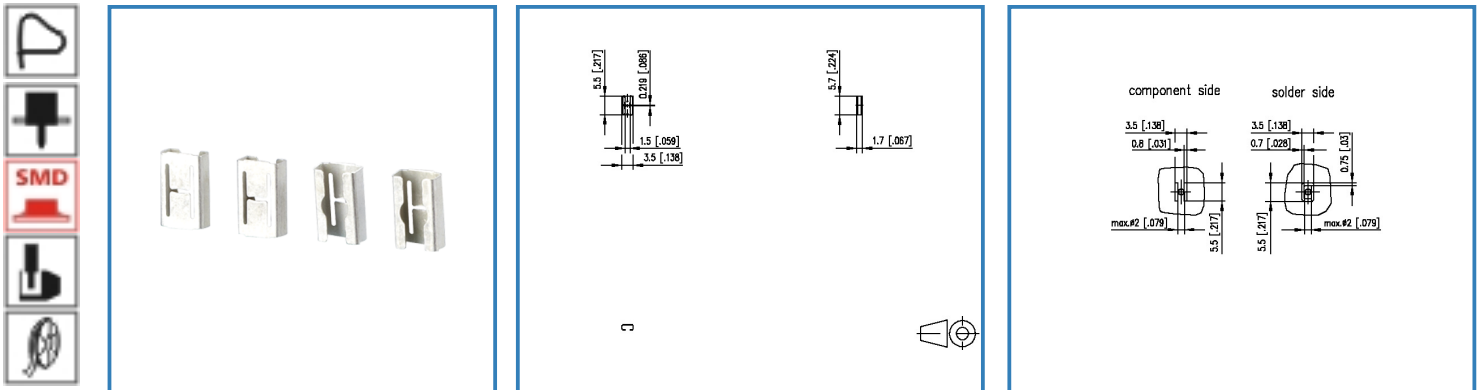


# Data Sheet

## SM01W01VXNN1G1 15-inch Reel solder pad/component side

### Illustration



see enlarged drawing at the end of the document

### Product specification

- spring clamp terminal block, SMT solderable
- direction of connection vertical 0°
- Tape & Reel packaging



# Data Sheet

## SM01W01VXNN1G1 15-inch Reel solder pad/component side

### Technical Data

#### General Data

min. number of poles	1
max. number of poles	1
protection category	IP 00
Min. insul. strip length	4 mm

#### Connection data

Rated wiring solid wire	0.1 - 0.75 mm <sup>2</sup> / AWG 26 - 18
-------------------------	--

#### Approvals

0.1 - 0.75 mm <sup>2</sup>	AWG 26 - 18 / 13 A
----------------------------	--------------------

#### Material

contact material	CuBe
contact surface	Ni + Sn

#### General

solderability	Acc. to IPC/JEDEC J-STD-020D-MSL 1
Tolerance	ISO 2768 -mH

#### Safety instructions

Components have to be fixed in a way to prevent any transmission of forces on to the contact. Components with more than one pin are recommended.



# Data Sheet

## SM01W01VXNN1G1 15-inch Reel solder pad/component side

### Matching Part

P/N	Product name
709023 (on request)	Tape_ASM01Y_16mm

### Matching Part to

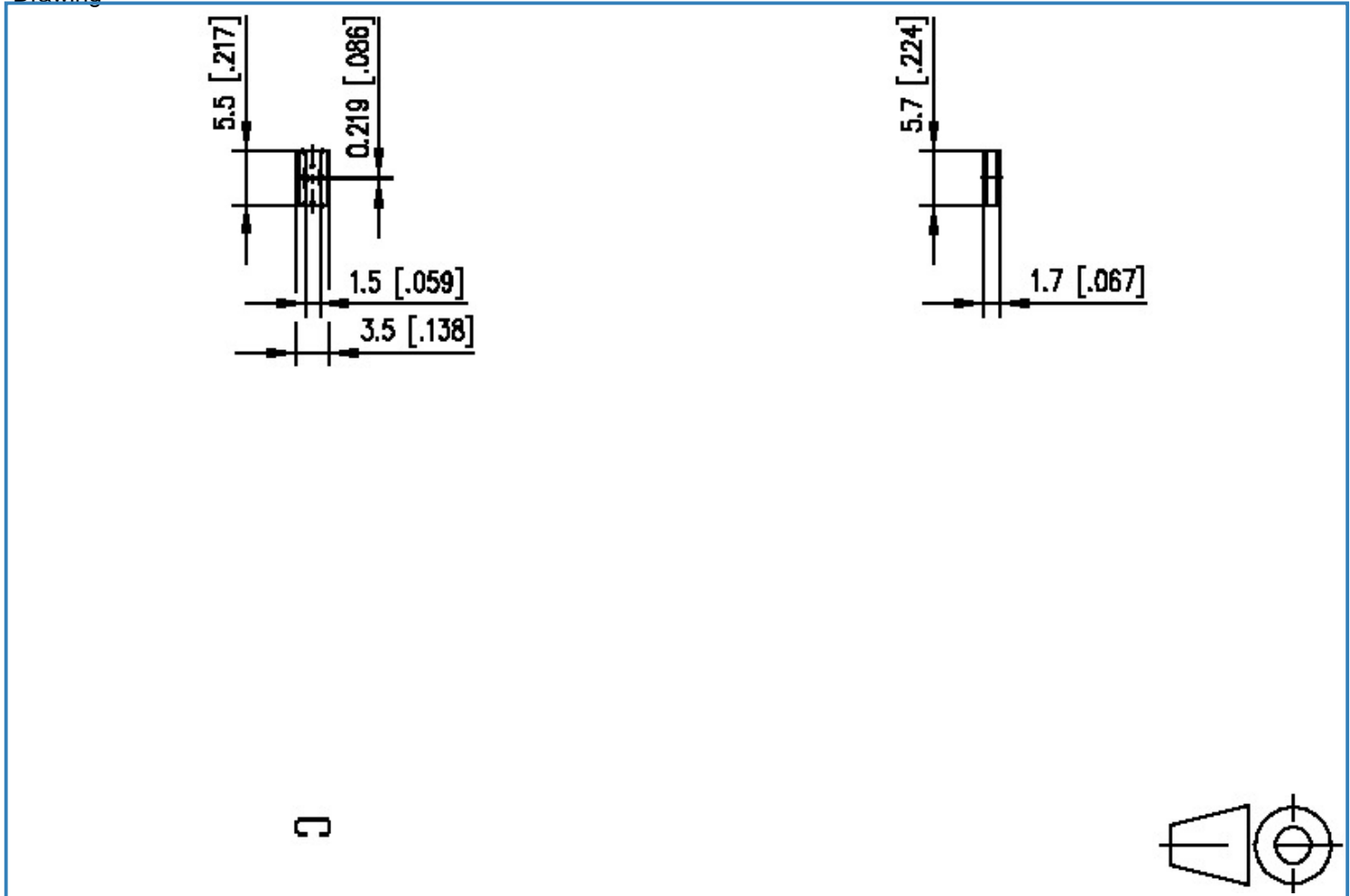
P/N	Product name
709023 (on request)	Tape_ASM01Y_16mm

# Data Sheet

## SM01W01VXNN1G1 15-inch Reel solder pad/component side

### Illustration

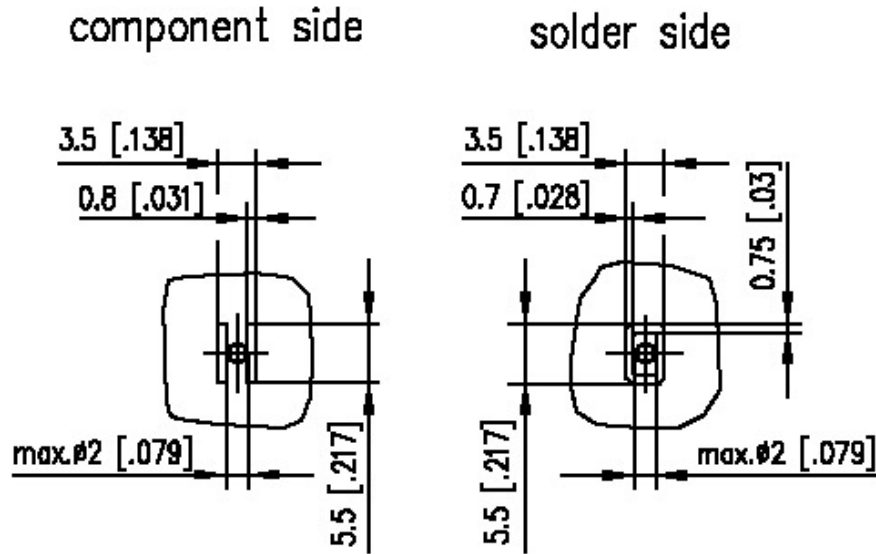
Drawing



# Data Sheet

## SM01W01VXNN1G1 15-inch Reel solder pad/component side

PCB Layout



# Data Sheet

## SM01W01VXNN1G1 15-inch Reel solder pad/component side

