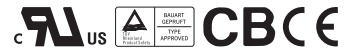




- Features :
- \* Auto switched 88 ~ 264VAC input
- \* Built-in passive PFC choke
- \* Protections: Short circuit / Overload / Over voltage / Over temperature
- \* Forced air cooling by built-in DC fan
- \* Built-in cooling Fan ON-OFF control
- \* LED indicator for power on
- \* Fixed switching frequency at 75KHz
- \* 2 years warranty

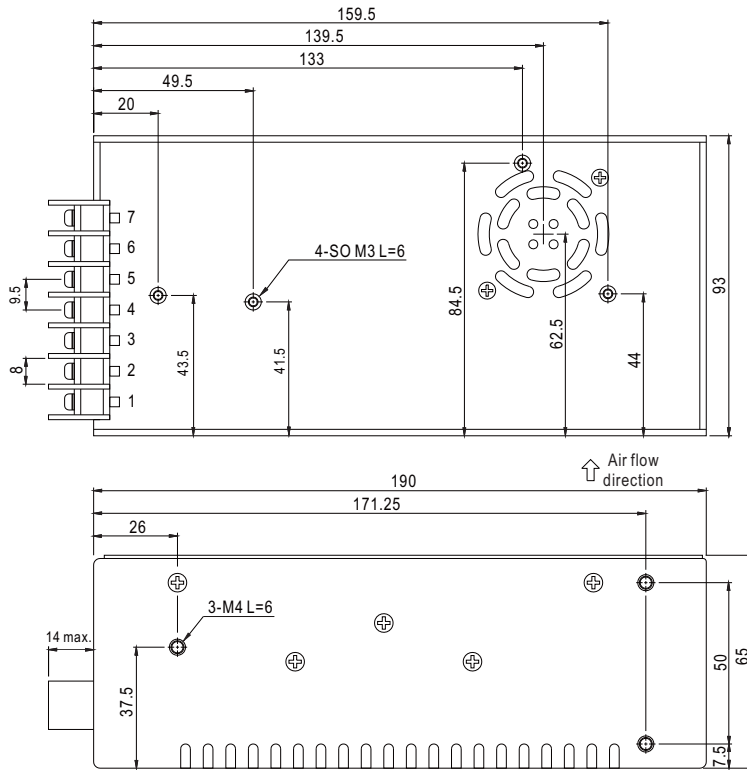


## SPECIFICATION

| MODEL                 | S-240-5   | S-240-7.5  | S-240-12    | S-240-15     | S-240-24     | S-240-30   | S-240-48     |              |
|-----------------------|---|--|-------------|--------------|--------------|------------|--------------|--------------|
| OUTPUT                | DC VOLTAGE  | 5V   | 7.5V        | 12V          | 15V          | 24V        | 30V          | 48V          |
|                       | RATED CURRENT   | 40A  | 30A         | 18A          | 15A          | 10A        | 8A           | 5A           |
|                       | CURRENT RANGE   | 0 ~ 40A  | 0 ~ 30A     | 0 ~ 18A      | 0 ~ 15A      | 0 ~ 10A    | 0 ~ 8A       | 0 ~ 5A       |
|                       | RATED POWER   | 200W   | 225W        | 216W         | 225W         | 240W       | 240W         | 240W         |
|                       | RIPPLE & NOISE (max.) Note.2  | 150mVp-p   | 200mVp-p    | 150mVp-p     | 150mVp-p     | 180mVp-p   | 180mVp-p     | 240mVp-p     |
|                       | VOLTAGE ADJ. RANGE  | 4.5 ~ 5.8V   | 6 ~ 9V      | 10 ~ 14V     | 12 ~ 18V     | 20 ~ 28V   | 27 ~ 33V     | 41 ~ 56V     |
|                       | VOLTAGE TOLERANCE Note.3  | ±2.0%  | ±2.0%       | ±1.0%        | ±1.0%        | ±1.0%      | ±1.0%        | ±1.0%        |
|                       | LINE REGULATION   | ±0.5%  | ±0.5%       | ±0.5%        | ±0.5%        | ±0.5%      | ±0.5%        | ±1.0%        |
|                       | LOAD REGULATION   | ±1.0%  | ±1.0%       | ±0.5%        | ±0.5%        | ±0.5%      | ±0.5%        | ±1.0%        |
|                       | SETUP, RISE TIME  | 1000ms, 20ms at full load  |             |              |              |            |              |              |
| HOLD UP TIME (Typ.)   | 36ms at full load   |  |             |              |              |            |              |              |
| INPUT                 | VOLTAGE RANGE   | 88 ~ 132VAC / 176 ~ 264VAC auto switch 248 ~ 370VDC  |             |              |              |            |              |              |
|                       | FREQUENCY RANGE   | 47 ~ 63Hz  |             |              |              |            |              |              |
|                       | EFFICIENCY (Typ.)   | 78%  | 80%         | 82%          | 83%          | 84%        | 85%          | 87%          |
|                       | AC CURRENT (Typ.)   | 5A/115VAC 2.5A/230VAC  |             |              |              |            |              |              |
|                       | INRUSH CURRENT (Typ.)   | 15A/115VAC 30A/230VAC  |             |              |              |            |              |              |
|                       | LEAKAGE CURRENT   | <2mA / 240VAC  |             |              |              |            |              |              |
| PROTECTION            | OVERLOAD  | 105 ~ 135% rated output power<br>Protection type : Hiccup mode, recovers automatically after fault condition is removed. |             |              |              |            |              |              |
|                       | OVER VOLTAGE  | 6 ~ 7V   | 9.4 ~ 10.9V | 14.4 ~ 16.8V | 18.5 ~ 21.5V | 31.2 ~ 36V | 34.5 ~ 40.5V | 57.6 ~ 67.2V |
|                       |   | Protection type : Hiccup mode, recovers automatically after fault condition is removed.                                  |             |              |              |            |              |              |
| FUNCTION              | FAN CONTROL, O.T.P.   | Rt1≥40°C FAN ON, ≤35°C FAN OFF, ≥70°C output shutdown  |             |              |              |            |              |              |
| ENVIRONMENT           | WORKING TEMP.   | -10 ~ +60°C (Refer to output load derating curve)  |             |              |              |            |              |              |
|                       | WORKING HUMIDITY  | 20 ~ 90% RH non-condensing   |             |              |              |            |              |              |
|                       | STORAGE TEMP., HUMIDITY   | -20 ~ +85°C, 10 ~ 95% RH   |             |              |              |            |              |              |
|                       | TEMP. COEFFICIENT   | ±0.03%/°C (0 ~ 50°C)   |             |              |              |            |              |              |
|                       | VIBRATION   | 10 ~ 500Hz, 2G 10min./1cycle, 60min. each along X, Y, Z axes   |             |              |              |            |              |              |
| SAFETY & EMC (Note 4) | SAFETY STANDARDS  | UL60950-1, TUV EN60950-1 approved (7.5V Design refer to TUV EN60950-1)   |             |              |              |            |              |              |
|                       | WITHSTAND VOLTAGE   | I/P-O/P:3KVAC I/P-FG:2.0KVAC O/P-FG:0.5KVAC  |             |              |              |            |              |              |
|                       | ISOLATION RESISTANCE  | I/P-O/P, I/P-FG, O/P-FG:100M Ohms/500VDC   |             |              |              |            |              |              |
|                       | EMI CONDUCTION & RADIATION  | Compliance to EN55032 (CISPR32) Class B  |             |              |              |            |              |              |
|                       | HARMONIC CURRENT  | Compliance to EN61000-3-2,-3   |             |              |              |            |              |              |
|                       | EMS IMMUNITY  | Compliance to EN61000-4-2,3,4,5,6,8,11; ENV50204, light industry level, criteria A                                       |             |              |              |            |              |              |
| OTHERS                | MTBF  | 179.3K hrs min. MIL-HDBK-217F (25°C)   |             |              |              |            |              |              |
|                       | DIMENSION   | 190*93*65mm (L*W*H)  |             |              |              |            |              |              |
|                       | PACKING   | 1.2Kg; 12pcs/15.3Kg/0.79CUFT   |             |              |              |            |              |              |
| NOTE                  | <ol style="list-style-type: none"> <li>All parameters NOT specially mentioned are measured at 230VAC input, rated load and 25°C of ambient temperature.</li> <li>Ripple &amp; noise are measured at 20MHz of bandwidth by using a 12" twisted pair-wire terminated with a 0.1uf &amp; 47uf parallel capacitor.</li> <li>Tolerance : includes set up tolerance, line regulation and load regulation.</li> <li>The power supply is considered a component which will be installed into a final equipment. The final equipment must be re-confirmed that it still meets EMC directives.</li> </ol> |  |             |              |              |            |              |              |

**Mechanical Specification**

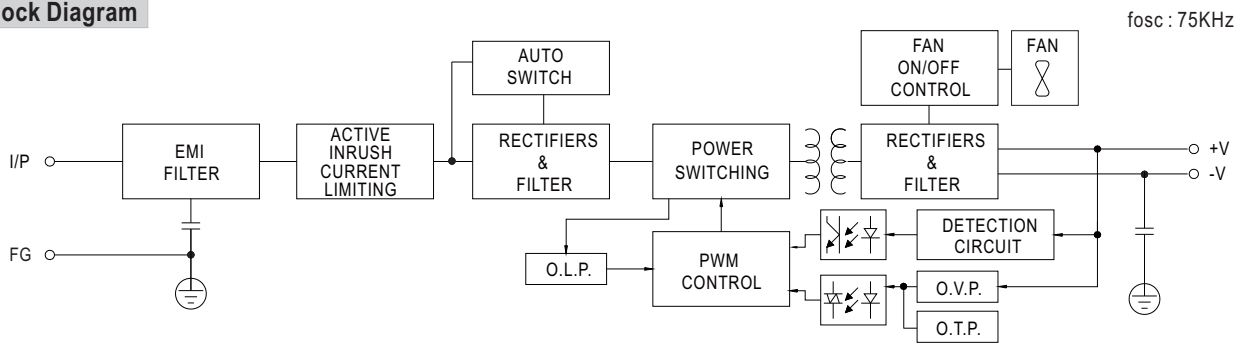
Case No. 911 Unit:mm



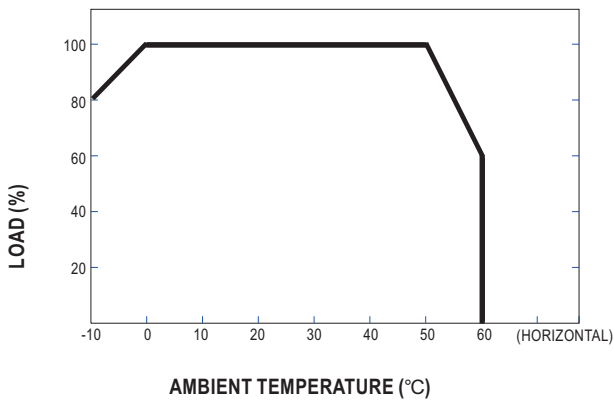
Terminal Pin No. Assignment

| Pin No. | Assignment | Pin No. | Assignment   |
|---------|------------|---------|--------------|
| 1       | AC/L       | 4,5     | DC OUTPUT -V |
| 2       | AC/N       | 6,7     | DC OUTPUT +V |
| 3       | FG $\perp$ |         |              |

**Block Diagram**



**Derating Curve**



**Static Characteristics (24V)**

