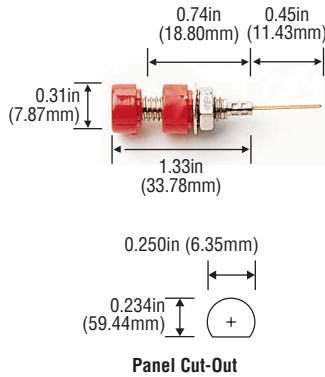


Miniature Banana Jack with Wire Wrap Terminal

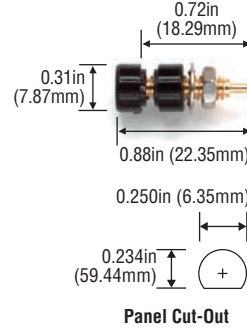
Model# 4022-*



Accepts miniature banana plugs.
Mounts in panels up to 0.250in (6.35mm) thick.
Material: Jack: nickel-plated brass; Terminal: gold-plated phosphor bronze; Insulation: polycarbonate.
Rating: For CE compliance and for personal safety, do not hold in hand when voltages exceed 33 Vrms/70 Vdc. Maximum voltage for *hands free use*: 1500 Vdc. Do not use on circuits where transient stresses can exceed the rated voltage. 3A, +239°F (+115°C) max.
***Std. Colors:** -0 Black, -2 Red.
Sold unassembled, in pkgs. of 10.

Miniature Banana Jack, Panel Mount

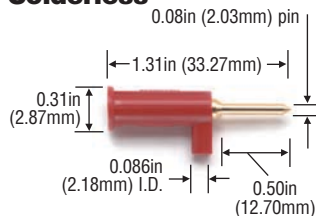
Model# 2142-*



Accepts miniature banana plugs. Mounts in panels up to 0.250in (6.35mm) thick.
Material: gold-plated brass; Insulation: polycarbonate.
Rating: For CE compliance and for personal safety, do not hold in hand when voltages exceed 33 Vrms/70 Vdc. Maximum voltage for *hands free use*: 1500 Vdc. Do not use on circuits where transient stresses can exceed the rated voltage. 5A, +239°F (+115°C) max.
***Std. Colors:** -0 Black, -2 Red, -3 Orange, -4 Yellow, -5 Green, -6 Blue, -9 White.
Uses hex nut 6440.
Sold unassembled, in pkgs. of 10 per color.

Do-It-Yourself Pin Tip Plug with Safety Shield, Stackable, Solderless

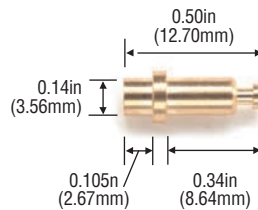
Model# 3548-*



Accepts miniature banana plug.
Wire firmly held in place with internal set screw.
Material: Pin Tip Plug/Jack: gold-plated brass; Insulation: ABS.
Rating: For CE compliance and for personal safety, do not hold in hand when voltages exceed 33 Vrms/70 Vdc. Maximum voltage for *hands free use*: 3000 Vdc. Do not use on circuits where transient stresses can exceed the rated voltage. 5A, +122°F (+50°C) max.
***Std. Colors:** -0 Black, -2 Red.

Miniature Rivet Type Banana Jack with Turret

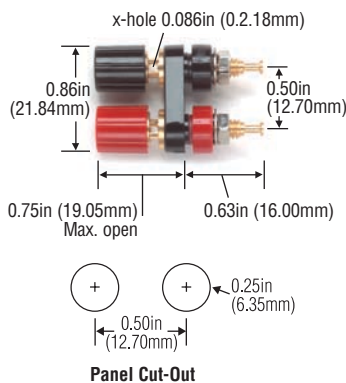
Model# 3277



Accepts miniature banana plugs.
Mounts in panels up to 0.062in (1.57mm) thick.
Material: Gold-plated brass.
Rating: For CE compliance and for personal safety, do not hold in hand when voltages exceed 33 Vrms/70 Vdc. Maximum voltage for *hands free use*: 1500 Vdc. Do not use on circuits where transient stresses can exceed the rated voltage. 5A.
Sold in pkgs. of 10.
Rec. Mounting Hole: .140 ± .002 (9/64 Drill).
Panel Thickness: 0.062in (1.57mm)

Miniature Insulated Binding Post with Double Mounting Base

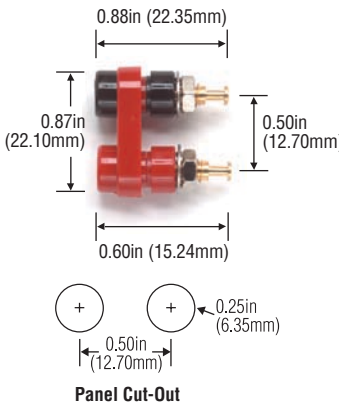
Model#	Plating
2383-*	Gold
2440-*	Tin



Accepts miniature banana plugs.
8-32 hex nut and lockwasher included.
Material: Binding Post Body, Nut: brass; Lockwasher: steel; Insulation: polycarbonate.
Rating: For CE compliance and for personal safety, do not hold in hand when voltages exceed 33 Vrms/70 Vdc. Maximum voltage for *hands free use*: 1500 Vdc. Do not use on circuits where transient stresses can exceed the rated voltage. 5A, +239°F (115°C) max.
***Mounting Base Colors:** -0 Black, -2 Red.
***Std. Colors:** 2383: -0 Black, -2 Red. 2440: -0 Black.

Miniature Banana Jack in Double Mounting Base, Panel Mount

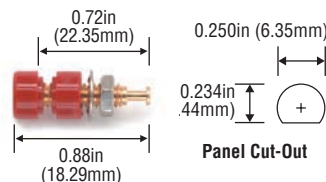
Model# 2143-*



Accepts miniature banana plugs. Mounts in panels up to 0.188in (4.78mm) thick.
Material: gold-plated brass; Insulation: polycarbonate.
Rating: For CE compliance and for personal safety, do not hold in hand when voltages exceed 33 Vrms/70 Vdc. Maximum voltage for *hands free use*: 1500 Vdc. Do not use on circuits where transient stresses can exceed the rated voltage. 5A, +239°F (+115°C) max.
***Std. Mounting Base Colors:** -0 Black, -2 Red.
Colors: One black and one red jack.

Pin Tip Jack

Model# 3542-*



Accepts 0.080in (2.03mm) dia. pin.
Material: Jack: gold-plated brass; Spring: beryllium copper; Insulation: polycarbonate.
Rating: For CE compliance and for personal safety, do not hold in hand when voltages exceed 33 Vrms/70 Vdc. Maximum voltage for *hands free use*: 1500 Vdc. Do not use on circuits where transient stresses can exceed the rated voltage. 5A, +239°F (115°C) max.
***Std. Colors:** -0 Black, -2 Red, -3 Orange, -4 Yellow, -5 Green, -6 Blue, -9 White.
Sold in pkgs. of 10.