

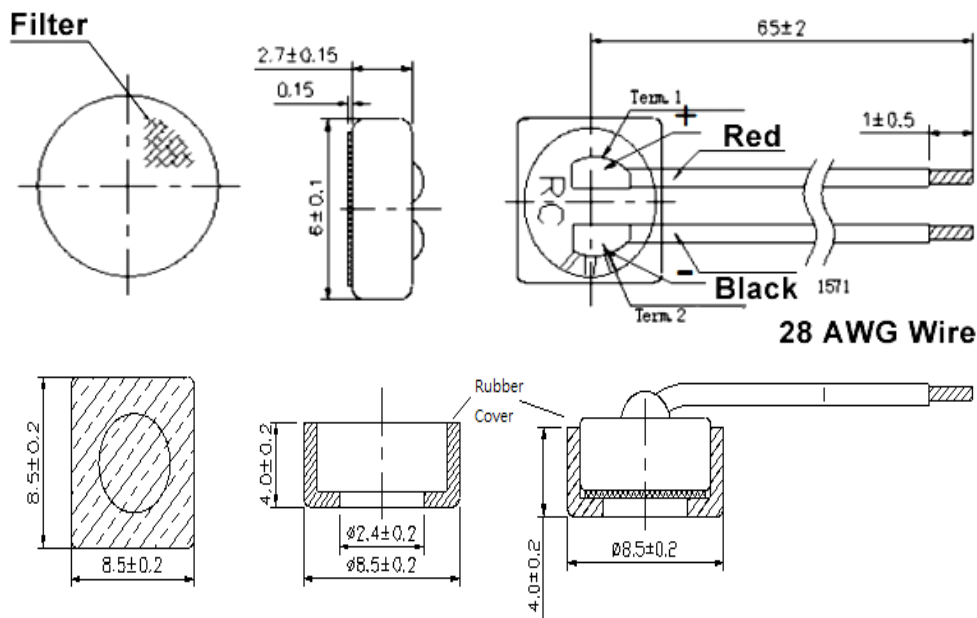
**Sales Outline Drawing**

**Specifications:**

Sensitivity Range	$-44 \pm 3$ dB $R_L = 2.2$ k $\Omega$ $V_s = 2.0$ vdc (1 kHz 0 dB = 1 v/Pa)
Impedance	Max. 2.2k $\Omega$ 1 kHz ( $R_L = 2.2$ k $\Omega$ )
Frequency	100 - 10000 Hz
Current Consumption	Max 0.5 mA
Operating Voltage Range	1.0 – 10 Vdc
Max SPL (dB)	115 dB
S/N Ration	More than 58 dB
Sensitivity Reduction	2.0 –1.5V Variation less than 3 dB
Storage Condition	-40 ~ +70°C; R.H. < 90%
Operating Condition	-20 ~ +60°C; R.H. < 90%
Weight (g)	0.5
Options	For other options contact factory

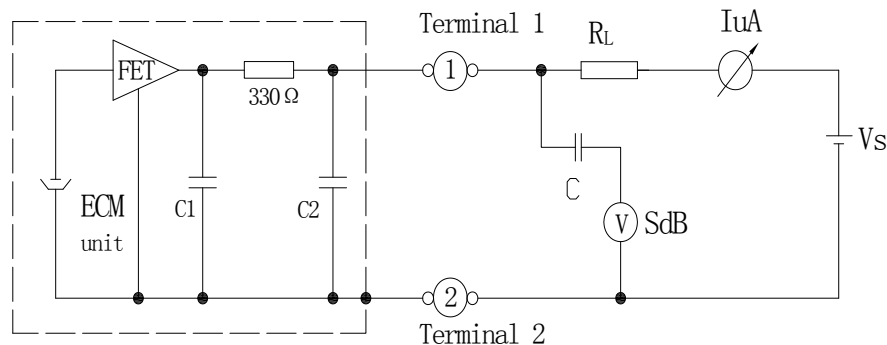
**Dimensions:** (units: mm)

**ROHS Compliant**



**28 AWG Wire**

**Schematic Diagram:**



$R_L = 2.2$  k $\Omega$      $V_s = 2.0$      $C1 = 33$  pF     $C2 = 10$  nF