



Plane Bearing Turntable D34x24mm

SKU: 87384 Weight: 65.00 Gram

Description:

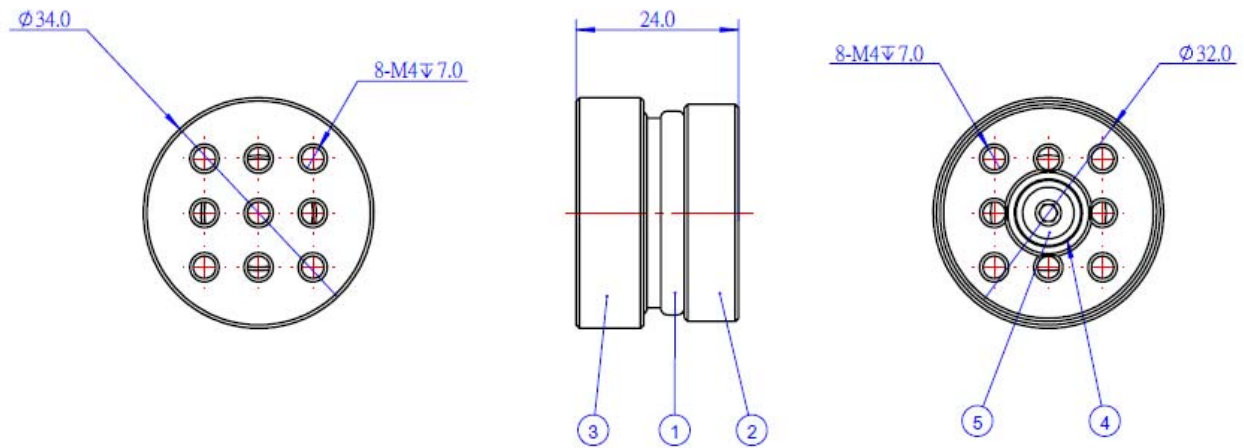
Makeblock plane bearing turntable can be used as motion joint or rotatable turntable in the high load and high precision designs.

It has plane bearing for motion stability and smoothing. It also can be used in Makeblock mDrawbot.

Features:

- The max diameter is 34mm, the height is 24mm.
- M4 holes in turntable can be compatible with most parts and structures in Makeblock.

Size Charts(mm):



- 1 - Plane Bearing51103
- 2 - Turntable D34-A
- 3 - Turntable D34-B
- 4 - Micro Plane Bearing F4-10
- 5 - Socket Cap Screw M4*16mm-Button

Demo:

