



Slide Beam0824-160-Blue(Pair)

SKU: 60038 Weight: 71.00 Gram

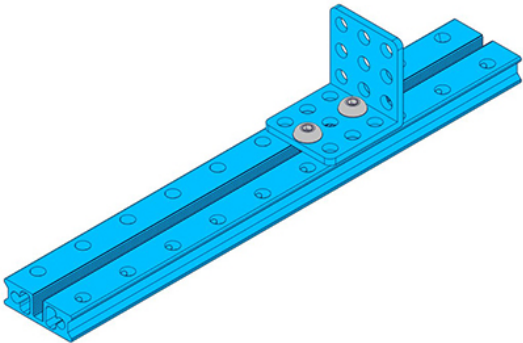
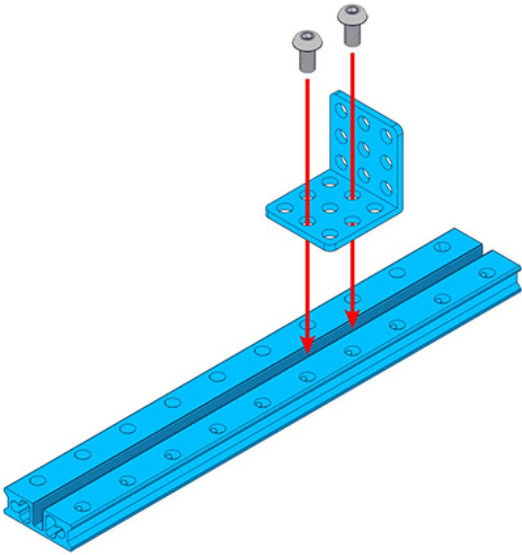
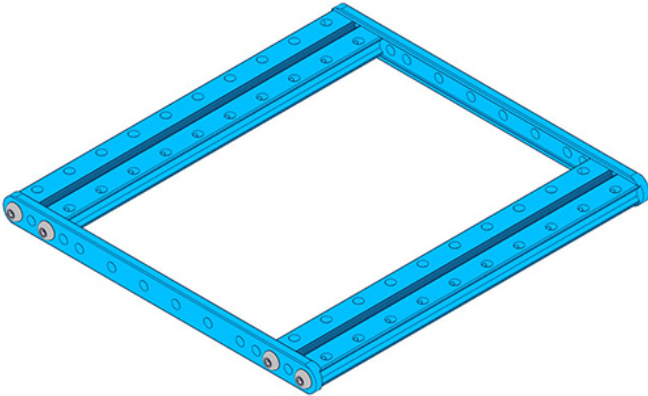
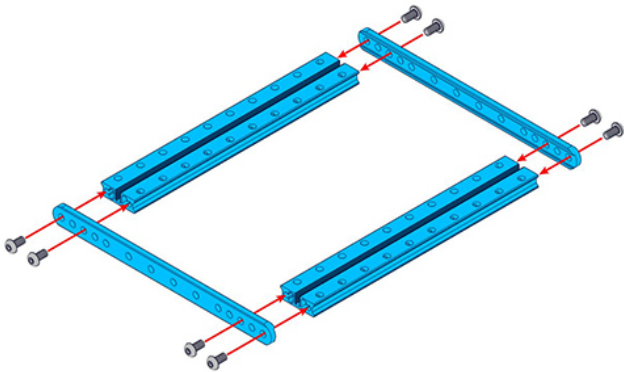
What Is Slide Beam0824-160?

Slide Beam0824-160 is a frequently-used mechanical part of Makeblock platform, and also compatibles with most Makeblock mechanical components. There are various mounting holes and a threaded slot on the plane of this beam which allow you to assemble on other structures easily.

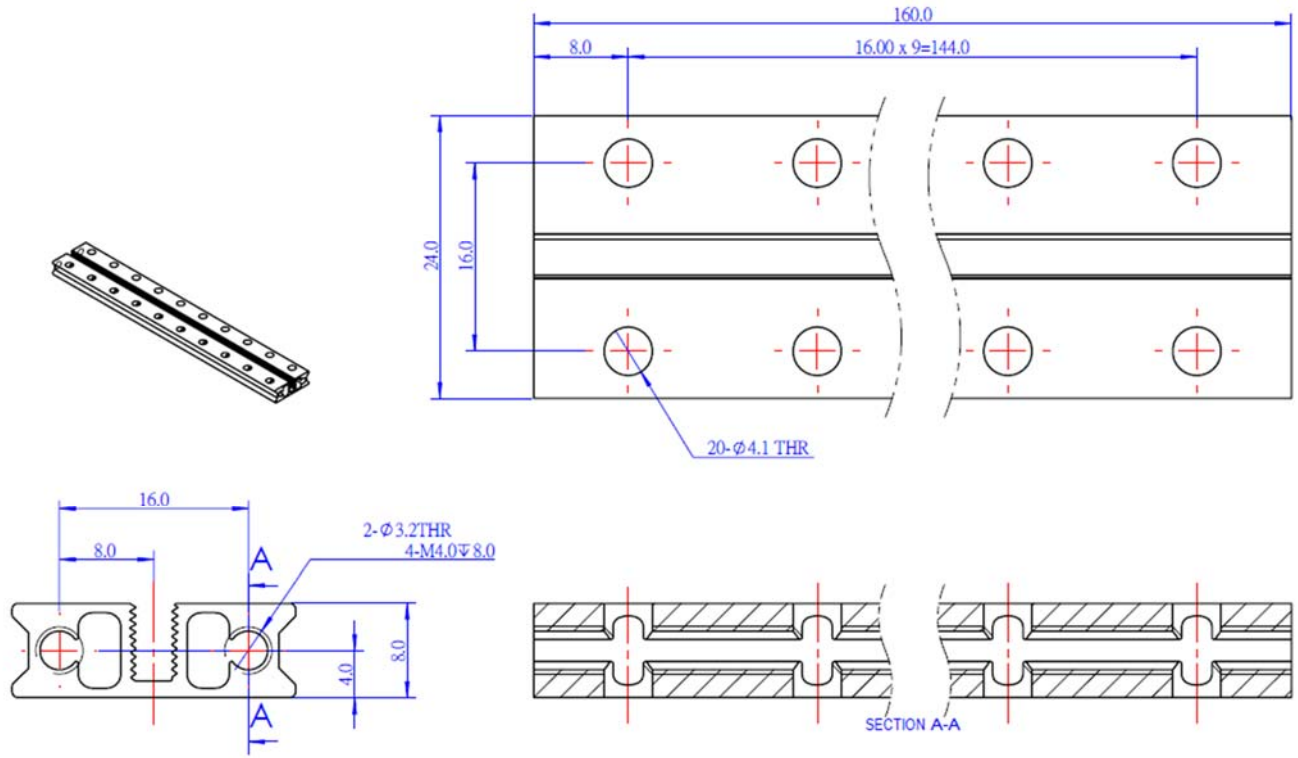
Features

- ? Made from heavy-duty 6061 aluminum extrusion
- ? With holes on 16mm increments, and M4 threaded holes on both ends
- ? Cross-section area 8x24mm, length 160mm
- ? High wear resistance and high intensity
- ? Strong rigidity

DEMO

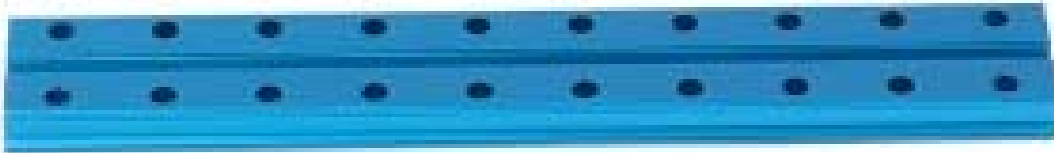


Size Charts



Specifications

SKU	60038
Product Name	Slide Beam0824-160-Blue (Pair)
Length	160mm
Cross-section Area	8 x 24mm
Gross Weight	71g (2.5oz)
Package Content (Quantity x Part Name)	2x Slide Beam0824-160



<https://store.makeblock.com/slide-beam0824-160-blue-pair/2-19-19>