



## Slide Beam0824-064-Blue (Pair)

SKU: 60014 Weight: 28.00 Gram



<https://sketchfab.com/models/d24d0ffe874b4ffd8b424f8cb54687db/embed>

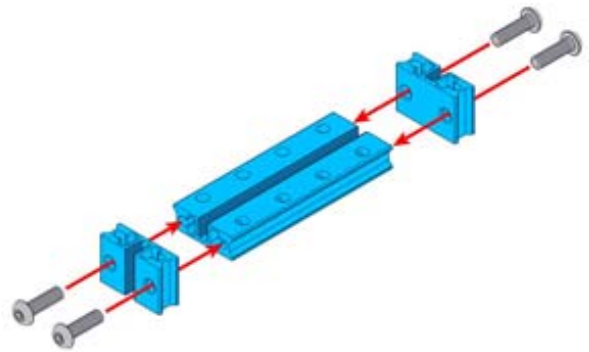
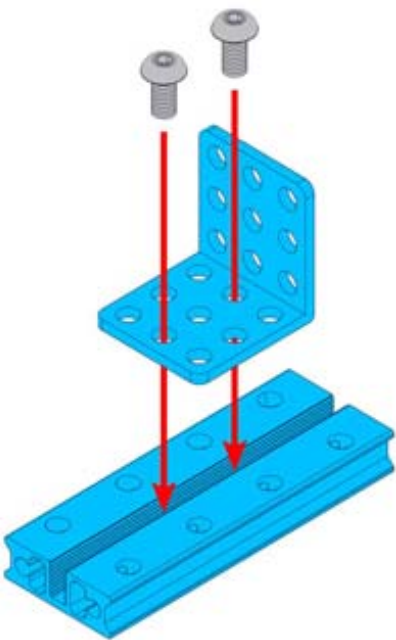
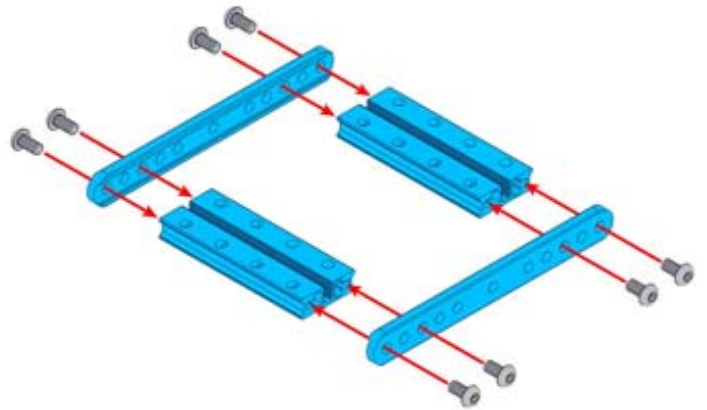
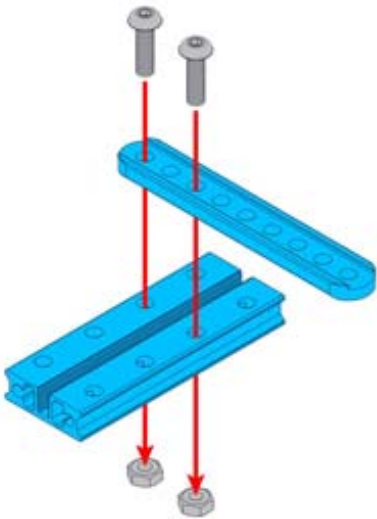
### What Is Slide Beam0824-064?

Slide Beam0824-064 is a frequently-used mechanical part of Makeblock platform, and also compatibles with most Makeblock mechanical components. There are various mounting holes and a threaded slot on the plane of this beam which allow you to assemble on other structures easily.

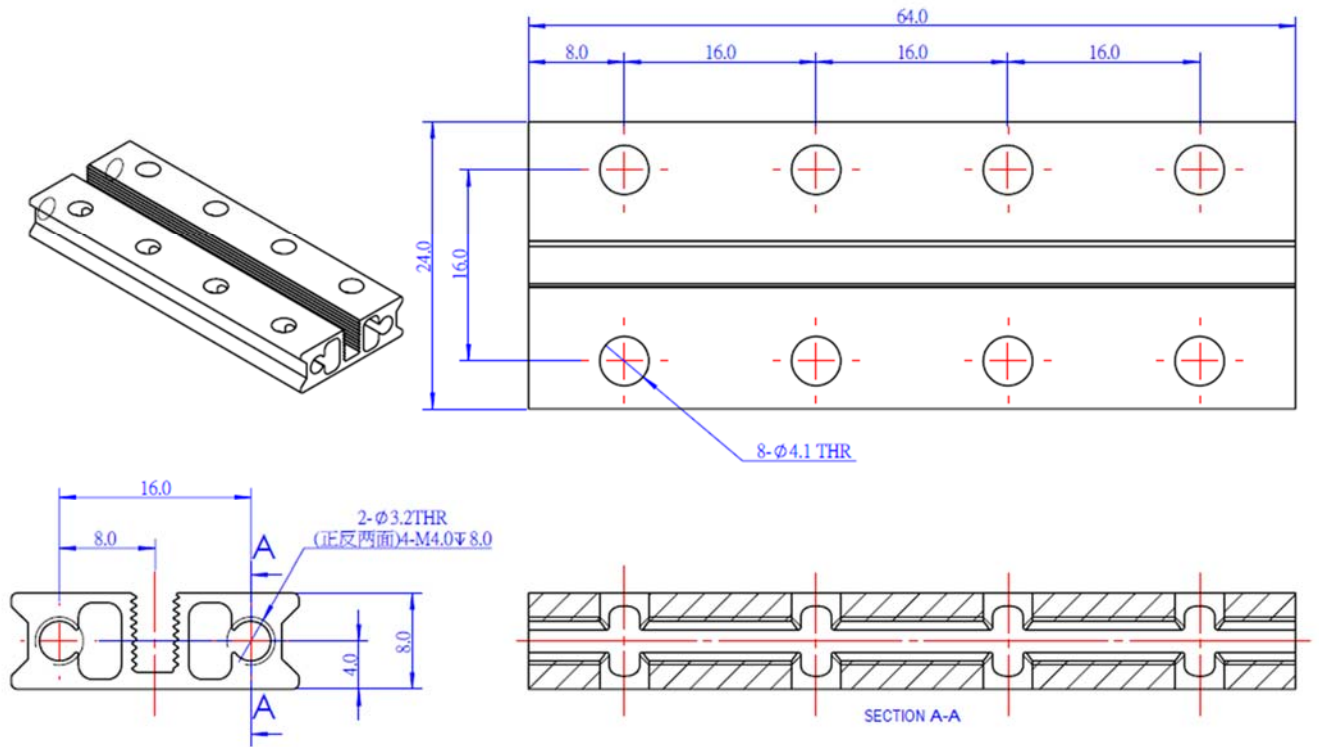
### Features

- ? Made from heavy-duty 6061 aluminum extrusion
- ? With holes on 16mm increments, and M4 threaded holes on both ends
- ? Cross-section area 8x24mm, length 64mm
- ? High wear resistance and high intensity
- ? Strong rigidity

# DEMO



# Size Charts



## Specifications

|  |                                |
|--|--------------------------------|
| SKU                                    | 60014                          |
| Product Name                           | Slide Beam0824-064-Blue (Pair) |
| Length                                 | 64mm                           |
| Cross-section Area                     | 8 x 24mm                       |
| Gross Weight                           | 28g (0.99oz)                   |
| Package Content (Quantity x Part Name) | 2x Slide Beam0824-064          |

