



Single Acting Mini Cylinder Pack MSI8X20UFA

SKU: 59030 Weight: 55.00 Gram

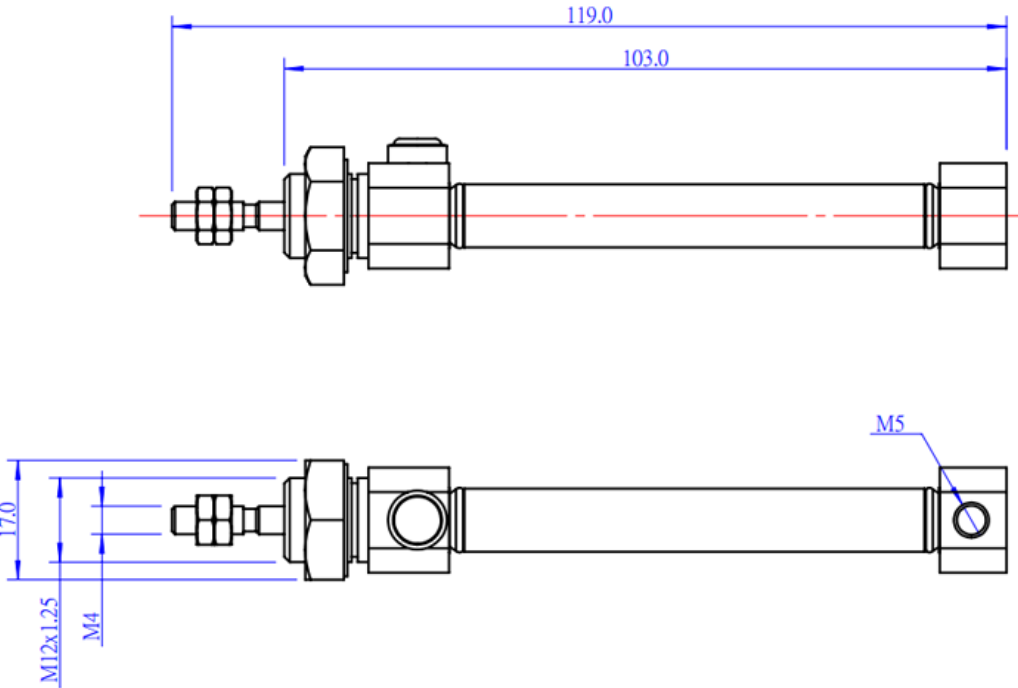
Description:

It is a mini cylinder of single acting extrusion type with a bore size of 8mm and stroke of 20mm. The installation method is panel installation and the mounting nut is M12X1.25. It is equipped with a exhaust silencer, used with M5-φ4 quick plug connector and its theoretical thrust is 18.6N under the pressure of 0.5MPa.

Features:

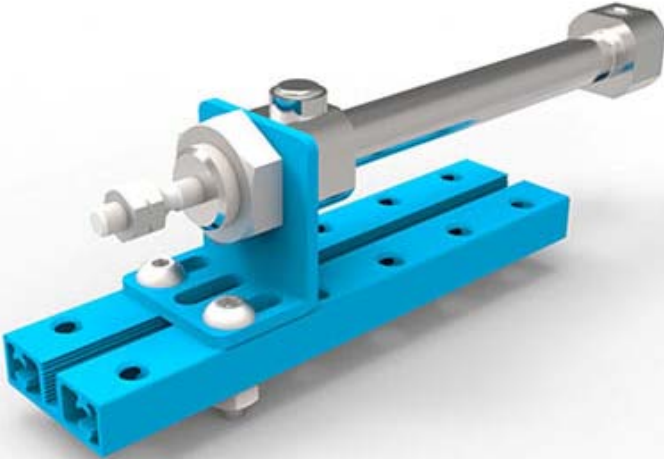
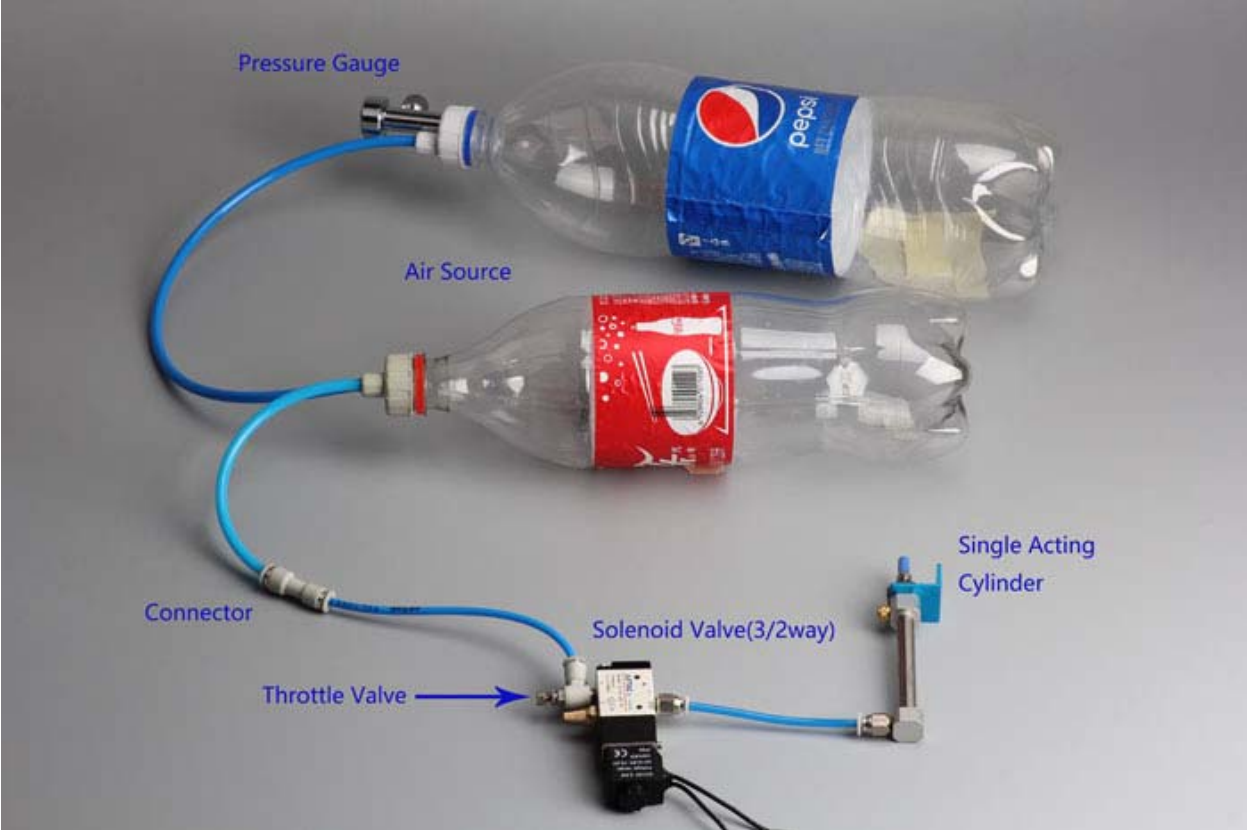
- Mini & small and easy to install.
- Single acting extrusion type and reset by a reset spring.
- The theoretical thrust is 18.6N under the pressure of 0.5MPa.
- Used with M5-φ4 quick plug connector.

Size Charts(mm):



Connection Illustration:





pneumatic schematics

