



$\varphi 8$ - $\varphi 6$ Reducing Straight Connector (4-Pack)

SKU: 59011 Weight: 20.00 Gram

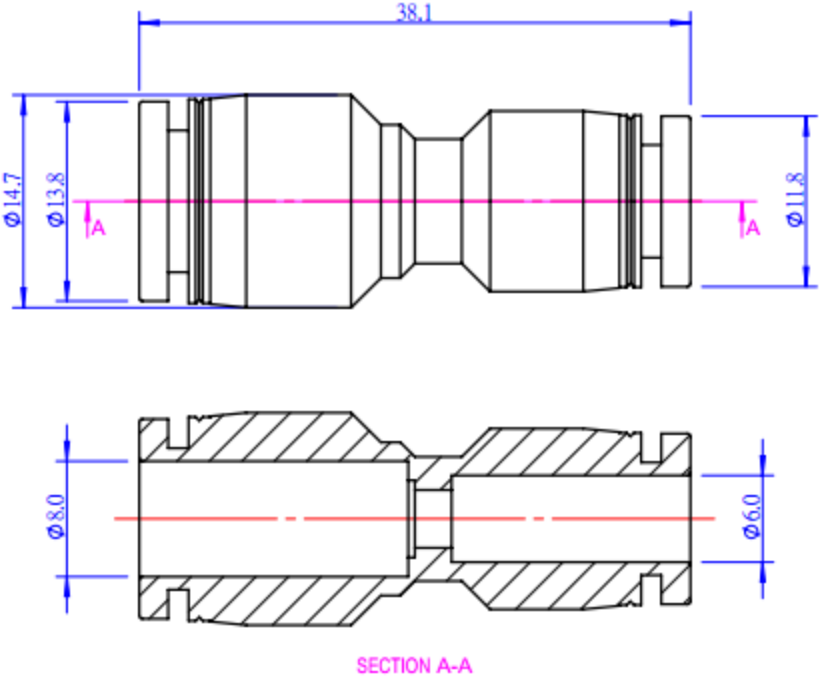
Description:

Makeblock $\varphi 8$ - $\varphi 6$ reducing straight connector's one end is used with $\varphi 8$ air pipe and the other end with $\varphi 6$ air pipe. The channel is of straight-through type and reduces the $\varphi 8$ air pipe to $\varphi 6$ air pipe.

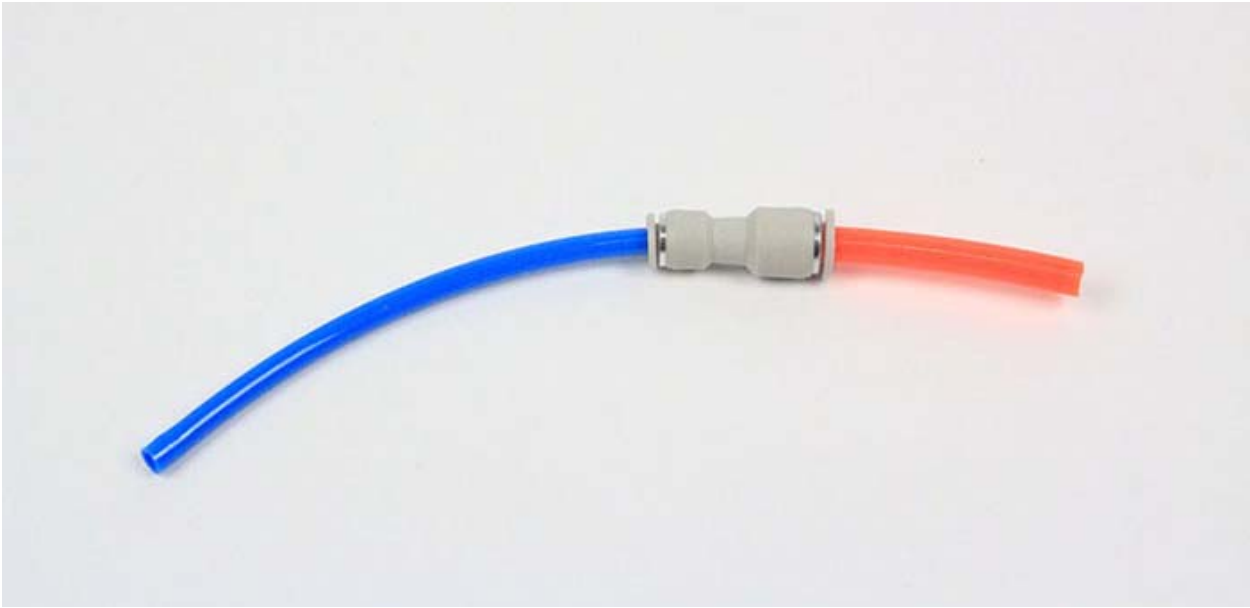
Features:

- Reduce the $\varphi 8$ air pipe to $\varphi 6$ air pipe.

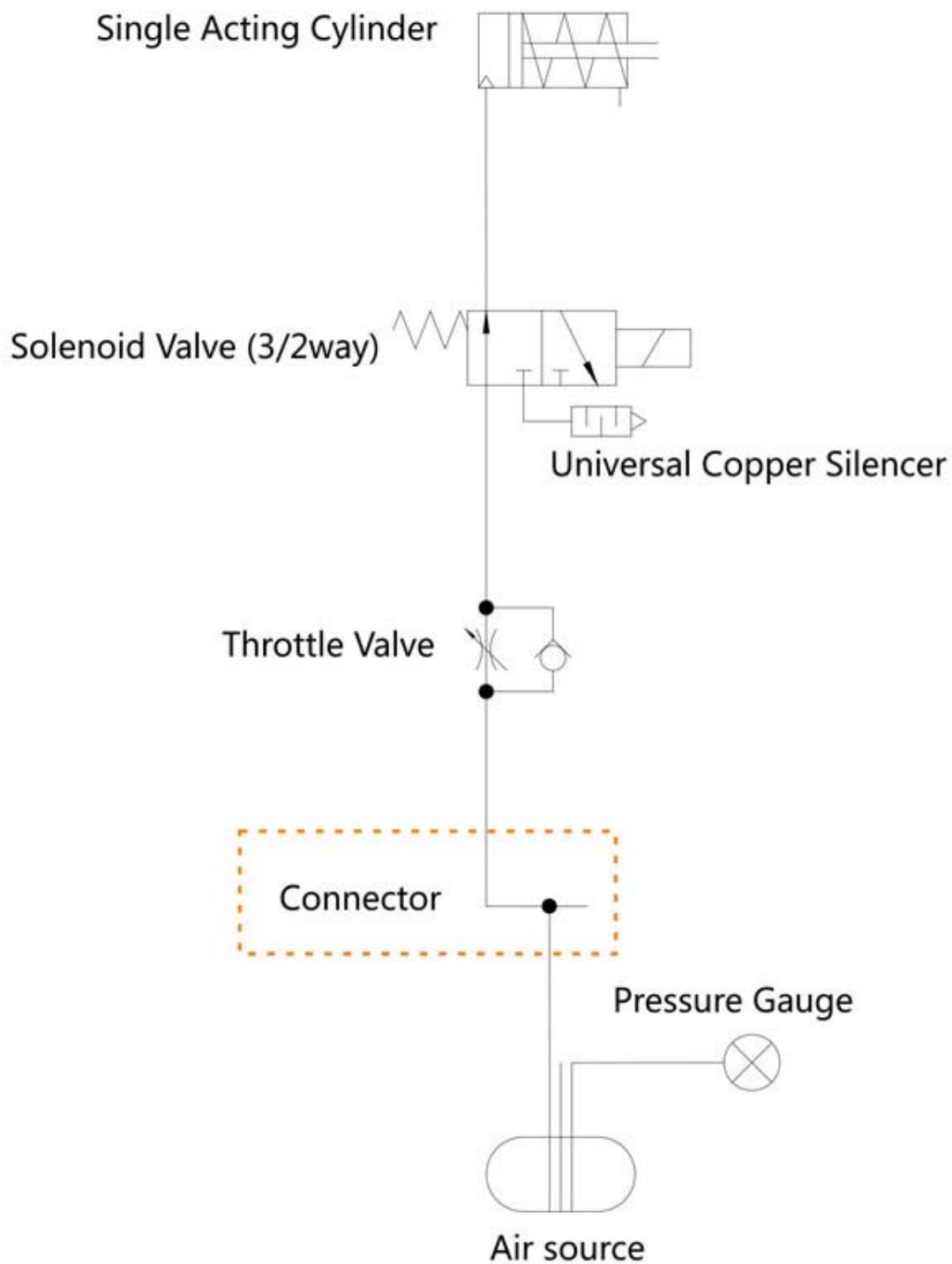
Size Charts(mm):



Connection Illustration



pneumatic schematics





<https://store.makeblock.com/8-6-reducing-straight-connector-4-pack/2-15-18>