



Vacuum Suction Cup - SP-30

SKU: 59000 Weight: 5.00 Gram

Description:

Makeblock vacuum suction cup - SP-30 is made from silicon, it is great for attaching things to a windshield, mirror, window, or any other clean glass or non-painted metal surface.

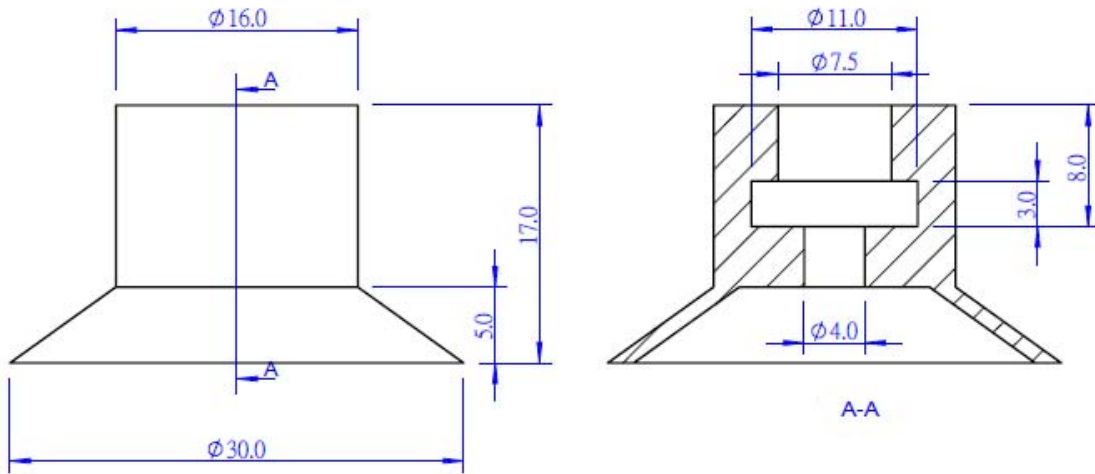
Vacuum suction cup - SP-30 can be assemble with Makeblock vacuum suction cup connector holder to better use.

Fetures:

- Meterial: silicon
- Max Diameter: 30mm
- Height: 17mm
- Flexible to connect Makeblock vacuum suction cup connector holder

- Vacuum for high adsorption

Size Charts(mm):



Demo:



