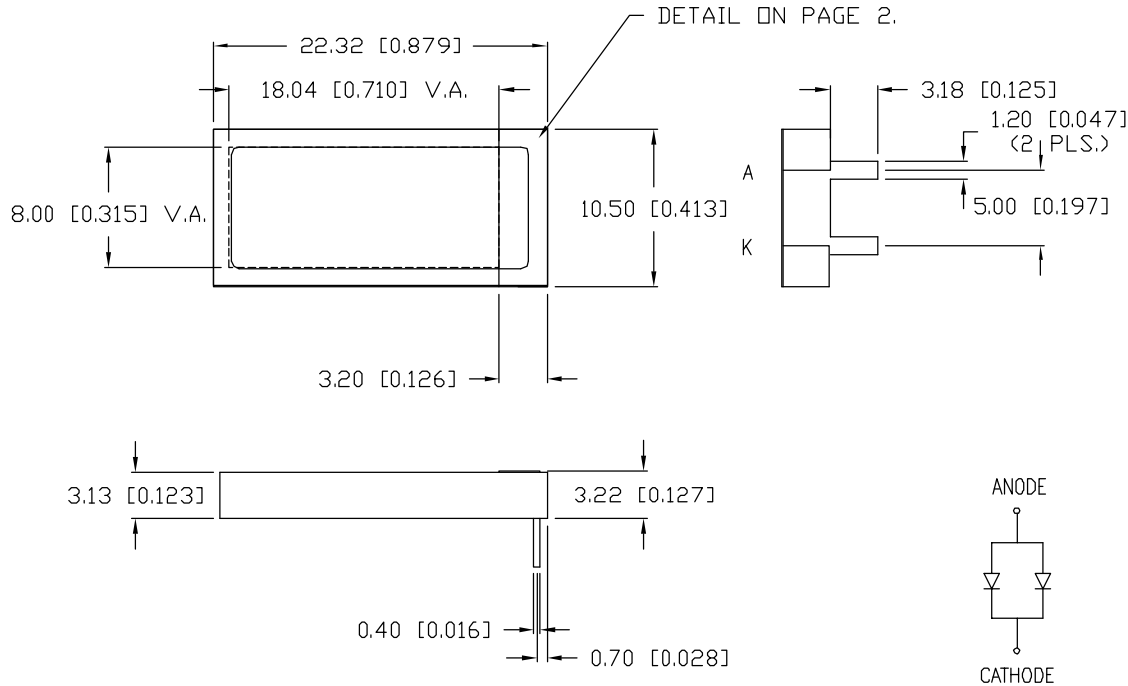


PRELIMINARY IN P/N DIR

| ELECTRO-OPTICAL CHARACTERISTICS $T_A=25^\circ\text{C}$ PER MODULE |                           |     |     |                 | $I_f=40\text{ mA}$  |
|---|---------------------------|-----|-----|-----------------|---------------------|
| PARAMETER   | MIN                       | TYP | MAX | UNITS           | TEST COND           |
| PEAK WAVELENGTH   |                           | 470 |     | nm              |                     |
| FORWARD VOLTAGE   |                           | 3.5 | 4.0 | $V_f$           |                     |
| REVERSE VOLTAGE   | 5.0                       |     |     | $V_r$           | $I_r=0.40\text{mA}$ |
| AXIAL INTENSITY   |                           | TBA |     | $\text{cd/m}^2$ | $I_f=20\text{ mA}$  |
| EMITTED COLOR:  | BLUE                      |     |     |                 |                     |
| REFLECTOR FINISH:   | CLEAR WITH WHITE DIFFUSER |     |     |                 |                     |



LIMITS OF SAFE OPERATION AT 25°C PER DIE

| PARAMETER                | MAX        | UNITS      |
|--------------------------|------------|------------|
| PEAK FORWARD CURRENT*    | 100        | mA         |
| STEADY CURRENT           | 30         | mA         |
| POWER DISSIPATION        | 105        | mW         |
| DERATE FROM 25°C         | -1.2       | mW/°C      |
| OPERATING, STORAGE TEMP. | -30 TO +80 | °C         |
| SOLDERING TEMP.          | +260       | °C         |
| 2.0mm FROM BODY          |            | 3 SEC. MAX |

\*  $t < 10\mu\text{s}$

CAUTION: STATIC SENSITIVE DEVICE  
FOLLOW PROPER E.S.D. HANDLING PROCEDURES  
WHEN WORKING WITH THIS PART.



UNCONTROLLED DOCUMENT

\*UNLESS OTHERWISE SPECIFIED TOLERANCES PER DECIMAL PRECISION ARE: X=±1 (±0.039), X.X=±0.5 (±0.020), X.XX=±0.25 (±0.010), X.XXX=±0.127 (±0.005). LEAD SIZE=±0.05 (±0.002), LEAD LENGTH=±0.75 (±0.030). MIN.= +DECIMAL PRECISION MAX.= +0.00 -DECIMAL PRECISION

REV.

PART NUMBER

P3

SSB-CEL187USBW

CONFIDENTIAL INFORMATION  
THE INFORMATION CONTAINED IN THIS DOCUMENT IS THE PROPERTY OF LUMEX INC. EXCEPT AS SPECIFICALLY AUTHORIZED IN WRITING BY LUMEX INC., THE HOLDER OF THIS DOCUMENT SHALL KEEP ALL INFORMATION CONTAINED HEREIN CONFIDENTIAL AND SHALL PROTECT SAME IN WHOLE OR IN PART FROM DISCLOSURE AND DISSEMINATION TO ALL THIRD PARTIES.



290 E. HELEN ROAD  
PALATINE, IL 60067-6976  
PHONE: +1.847.359.2790  
US WEB: www.lumex.com  
TW WEB: www.lumex.com.tw

18.04mm x 8.0mm V.A. CUSTOM LED BACKLIGHT  
2 CHIPS, 470nm BLUE.

RELIABILITY NOTE  
OUR MANY YEARS OF EXPERIENCE DATA ACCUMULATION INDICATE THAT SOLDER HEAT IS A MAJOR CAUSE OF EARLY AND FUTURE FAILURE. PLEASE PAY ATTENTION TO YOUR SOLDERING PROCESS.

DRAWN BY:

CHECKED BY:

APPROVED BY:

DATE: 05.21.08

JN

PAGE: 1 OF 2

SCALE: N/A

UNCONTROLLED DOCUMENT

SC:0.50

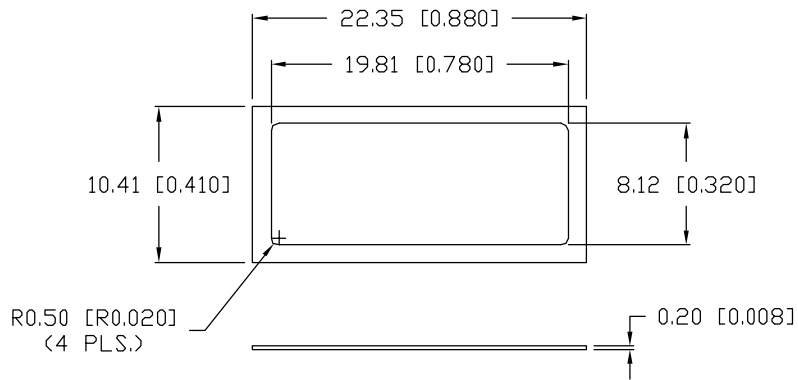
PART NUMBER

REV.

SSB-CEL187USBW

P3

PRELIMINARY IN P/N DIR



UNCONTROLLED DOCUMENT

\*UNLESS OTHERWISE SPECIFIED TOLERANCES PER DECIMAL PRECISION ARE: X=±1 (±0.039), X.X=±0.5 (±0.020), X.XX=±0.25 (±0.010), X.XXX=±0.127 (±0.005). LEAD SIZE=±0.05 (±0.002), LEAD LENGTH=±0.75 (±0.030). MIN= +DECIMAL PRECISION MAX.= +0.00 -DECIMAL PRECISION -0.00

REV.

PART NUMBER

P3

SSB-CEL187USBW

CONFIDENTIAL INFORMATION

THE INFORMATION CONTAINED IN THIS DOCUMENT IS THE PROPERTY OF LUMEX INC. EXCEPT AS SPECIFICALLY AUTHORIZED IN WRITING BY LUMEX INC., THE HOLDER OF THIS DOCUMENT SHALL KEEP ALL INFORMATION CONTAINED HEREIN CONFIDENTIAL AND SHALL PROTECT SAME IN WHOLE OR IN PART FROM DISCLOSURE AND DISSEMINATION TO ALL THIRD PARTIES.



290 E. HELEN ROAD  
PALATINE, IL 60067-6976  
PHONE: +1.847.359.2790  
US WEB: www.lumex.com  
TW WEB: www.lumex.com.tw

18.04mm x 8.0mm V.A. CUSTOM LED BACKLIGHT

2 CHIPS, 470nm BLUE.

RELIABILITY NOTE

OUR MANY YEARS OF EXPERIENCE DATA ACCUMULATION INDICATE THAT SOLDER HEAT IS A MAJOR CAUSE OF EARLY AND FUTURE FAILURE. PLEASE PAY ATTENTION TO YOUR SOLDERING PROCESS.

DRAWN BY:

JN

CHECKED BY:

APPROVED BY:

DATE: 05.21.08

PAGE: 2 OF 2

SCALE: N/A

# Mouser Electronics

Authorized Distributor

Click to View Pricing, Inventory, Delivery & Lifecycle Information:

Lumex:

[SSB-CEL187USBW](#)