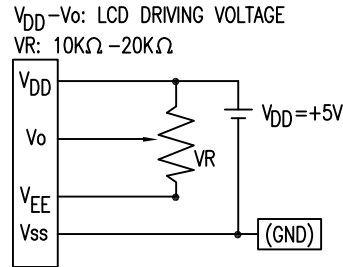


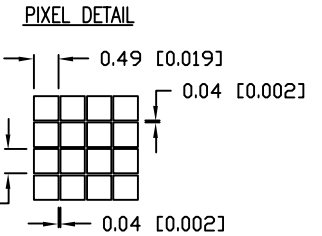
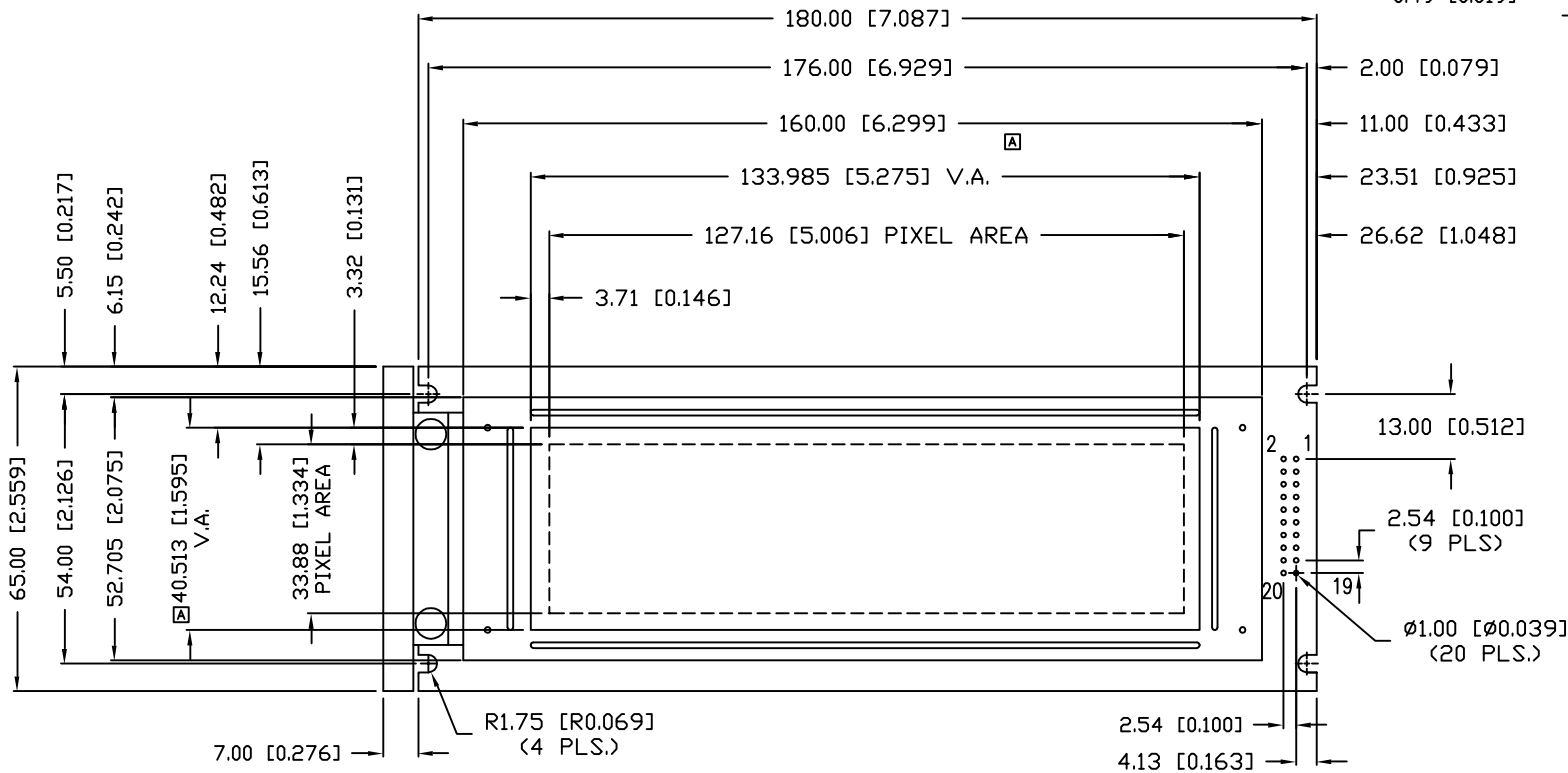
UNCONTROLLED DOCUMENT

CAUTION: STATIC SENSITIVE DEVICE
FOLLOW PROPER E.S.D. HANDLING PROCEDURES
WHEN WORKING WITH THIS PART.

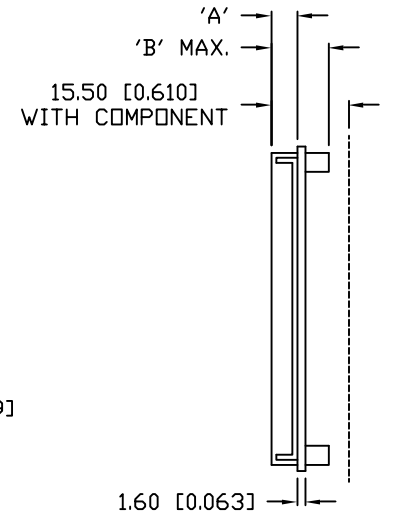
P/N PREFIX/SUFFIX TABLE		
LCM-X	GXX	DESCRIPTION
STANDARD	S	SR STN, REFLECTIVE
	SF	STN, TRANSFLECTIVE, (W/LED BACKLIGHT)
HIGH TEMP.	WF-C	FSTN, TRANSFLECTIVE, (W/CCFL BACKLIGHT)
	WF-N	FSTN, TRANSFLECTIVE, (W/EL BACKLIGHT)



PART NUMBER		REV.
LCM-X24064GXX(-X)		A
REV.	E.C.N. NUMBER AND REVISION COMMENTS	DATE
A	E.C.N. #10571.	12-7-99



VERSION	A	B	MODULE SIZE
R & EL	5.2	11.5	180x65
CCFL	7.5	14.0	187x65
LED	9.1	14.0	180x65



UNCONTROLLED DOCUMENT

*UNLESS OTHERWISE SPECIFIED TOLERANCE IS ±0.25mm (±0.010")

REV. A	PART NUMBER LCM-X24064GXX(-X)	CONFIDENTIAL INFORMATION THE INFORMATION CONTAINED IN THIS DOCUMENT IS THE PROPERTY OF LUMEX INC. EXCEPT AS SPECIFICALLY AUTHORIZED IN WRITING BY LUMEX INC., THE HOLDER OF THIS DOCUMENT SHALL KEEP ALL INFORMATION CONTAINED HEREIN CONFIDENTIAL AND SHALL PROTECT SAME IN WHOLE OR IN PART FROM DISCLOSURE AND DISSEMINATION TO ALL THIRD PARTIES.	LUMEX INCORPORATED	290 E. HELLEN ROAD PALATINE, ILLINOIS 60067 PHONE: 1-847-359-2790 WEB: HTTP://WWW.LUMEX.COM
240 x 64 DOT MATRIX GRAPHIC MODULE, 1/64 DUTY, WITH NEGATIVE CHARGE PUMP.		RELIABILITY NOTE OUR MANY YEARS OF EXPERIENCE DATA ACCUMULATION INDICATE THAT SOLDER HEAT IS A MAJOR CAUSE OF EARLY AND FUTURE FAILURE. PLEASE PAY ATTENTION TO YOUR SOLDERING PROCESS.	DRAWN BY: SA/DU/BC	CHECKED BY:
			APPROVED BY:	DATE: 2-18-99
				PAGE: 1 OF 2
				SCALE: N/A

PART NUMBER		REV.
LCM-X24064GXX(-X)		A
REV.	E.C.N. NUMBER AND REVISION COMMENTS	DATE
	SEE PAGE #1.	

ELECTRICAL CHARACTERISTICS

ITEM	SYMBOL	CONDITION	MIN	TYP	MAX	UNIT
POWER SUPPLY VOLTAGE FOR LOGIC	VDD	Ta=25°C	4.5	5.0	5.5	V
POWER SUPPLY CURRENT FOR LOGIC	IDD	VDD-VSS=5V	-	16.0	25.0	mA
INPUT VOLTAGE	VIH	HIGH LEVEL	2.2	-	VDD	V
INPUT VOLTAGE	VIL	LOW LEVEL	-	-	0.6	V
OUTPUT VOLTAGE	VOH	HIGH LEVEL	2.4	-	-	V
OUTPUT VOLTAGE	VOL	LOW LEVEL	-	-	0.4	V
POWER SUPPLY VOLTAGE FOR LCD DRIVE (0°C TO 50°C)	VDD-Vo	VDD=5V Ta=25°C	12.2	13.6	14.5	V
POWER SUPPLY VOLTAGE FOR LCD DRIVE (-20°C TO +70°C)	VDD-Vo	VDD=5V Ta=25°C	12.6	14.1	14.9	V
LED BACKLIGHT VOLTAGE	Vf	If= 690	-	4.2	4.6	V
LED BACKLIGHT INTENSITY	Iv	If= 690	120	180	-	cd/m ²
LED POWER DISSIPATION	PAD	If= 990	-	-	5	W
CCFL DRIVING VOLTAGE	VCFL	Ta=25°C	-	300	-	V
CCFL FREQUENCY	fCFL	-	-	70	85	KHZ
CCFL CURRENT	ICFL	Ta=25°C	4	5	6	mA
CCFL STARTING DISCHARGE	VDCFL	Ta=5°C	(1000)	-	-	V

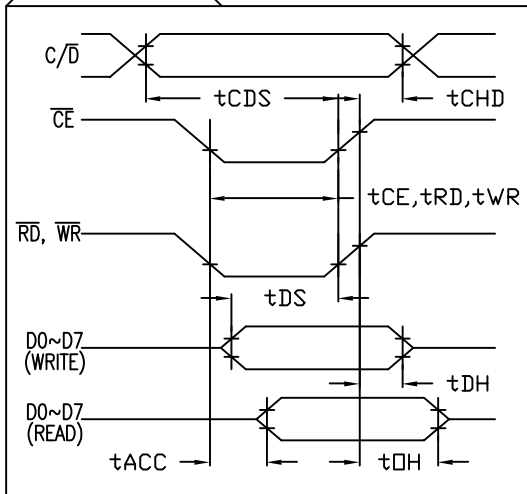
ELECTRIC MAXIMUM RATING

ITEM	SYMBOL	MIN	TYP	MAX	UNIT
POWER SUPPLY FOR LCD DRIVE	VDD-Vo	0	-	22.0	V
POWER SUPPLY FOR LOGIC	VDD-VSS	0	-	7.0	V
INPUT VOLTAGE	VI	VSS	-	VDD	V

TIMING CHARACTERISTICS

PARAMETER	SYMBOL	MIN	MAX	UNIT
C/D SETUP TIME	tCDS	100	-	ns
C/D HOLD TIME	tCDH	10	-	ns
CE, RD, WR PULSE WIDTH	tCE, tRD, tWR	80	-	ns
DATA SETUP TIME	tDS	80	-	ns
DATA HOLD TIME	tDH	40	-	ns
ACCESS TIME	tACC	-	150	ns
OUTPUT HOLD TIME	tOH	10	50	ns

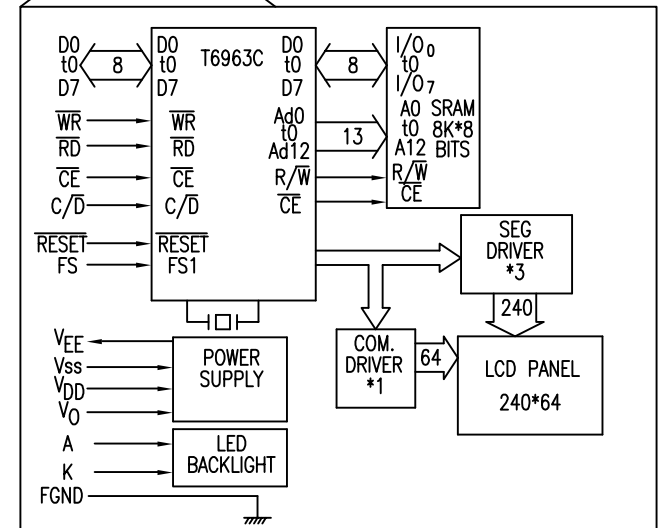
BUS TIMING



PIN CONFIGURATION

PIN #	SYMBOL	LEVEL	FUNCTION
1	FGND	-	FRAME GROUND (CONNECTED TO METAL BEZEL)
2	GND	0V	SIGNAL GROUND
3	VDD	+5V	POWER SUPPLY
4	Vo	-	CONTRAST ADJUSTMENT VOLTAGE
5	WR	L	DATA WRITE
6	RD	L	DATA READ
7	CE	L	CHIP ENABLE
8	C/D	H/L	WR="L", C/D="H": COMMAND WRITE C/D="L": DATA WRITE RD="L", C/D="H": COMMAND READ C/D="L": DATA READ
9	VEE	-15V	OUTPUT VOLTAGE FOR LCD DRIVING
10	RESET	L	CONTROL RESET (MODULE RESET)
11~18	DO~D7	H/L	DATA BUS
19	FS	H/L	FONT SELECT "H": 6 x 8 PIXEL/FONT "L": 8 x 8 PIXEL/FONT
20	N/C	-	NO CONNECTION

BLOCK DIAGRAM



REV.	PART NUMBER
A	LCM-X24064GXX(-X)

240 x 64 DOT MATRIX GRAPHIC MODULE, 1/64 DUTY,
WITH NEGATIVE CHARGE PUMP.

CONFIDENTIAL INFORMATION
THE INFORMATION CONTAINED IN THIS DOCUMENT IS THE PROPERTY OF LUMEX INC. EXCEPT AS SPECIFICALLY AUTHORIZED IN WRITING BY LUMEX INC., THE HOLDER OF THIS DOCUMENT SHALL KEEP ALL INFORMATION CONTAINED HEREIN CONFIDENTIAL AND SHALL PROTECT SAME IN WHOLE OR IN PART FROM DISCLOSURE AND DISSEMINATION TO ALL THIRD PARTIES.

RELIABILITY NOTE
OUR MANY YEARS OF EXPERIENCE DATA ACCUMULATION INDICATE THAT SOLDER HEAT IS A MAJOR CAUSE OF EARLY AND FUTURE FAILURE. PLEASE PAY ATTENTION TO YOUR SOLDERING PROCESS.



290 E. HELLEN ROAD
PALATINE, ILLINOIS 60067
PHONE: 1-847-359-2790
WEB: HTTP://WWW.LUMEX.COM

DRAWN BY:	CHECKED BY:	APPROVED BY:	DATE: 2-18-99
SA/DU/BC			PAGE: 2 OF 2
			SCALE: N/A