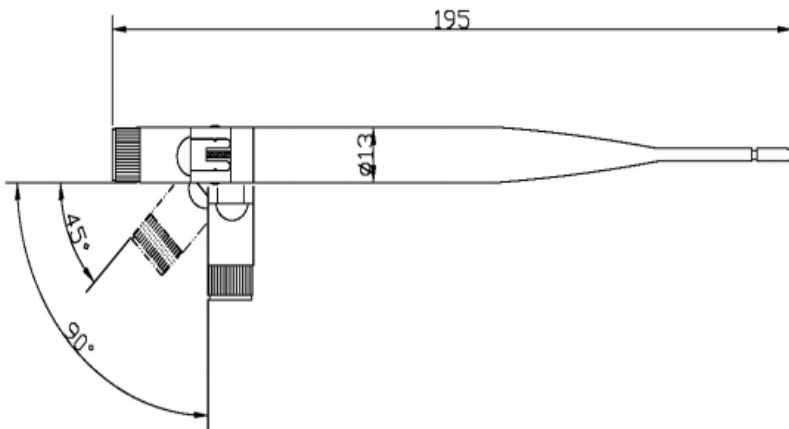




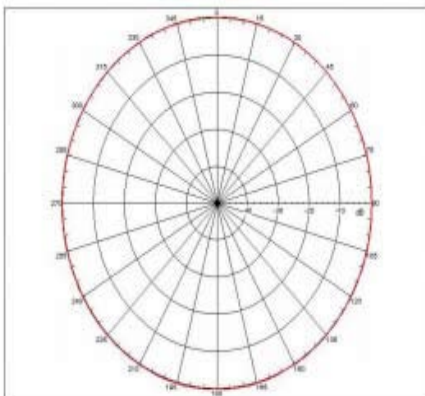
2.4G DIPOLE 5DBI ANTENNA FOR SMA MALE REVERSE POLARITY

Part Number: LM252

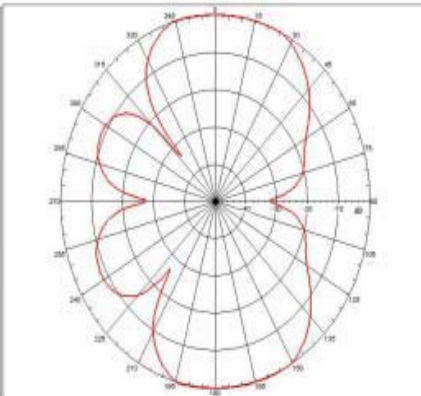
Type:	Dipole
Frequency:	2400~2500MHz
Gain:	5Dbi
Polarization:	Linear Vertical
SWR:	≤1.5:1
Impedance:	50 Ω
Base	
Connector:	SMA Male Reverse Polarity
Weight:	30g
Size:	H 200mm × W 13.7mm × D 13.7mm
Certification:	RoHS



H-PLANE



E-PLANE



Contact



LM Technologies Ltd
 Unit 19 Spectrum House
 32-34 Gordon House Road
 London
 NW5 1LP, UK.
 Tel : +44 (0) 207 428 2647
 Fax: +44 (0) 870 112 7636



2.4G DIPOLE 5DBI ANTENNA FOR SMA MALE REVERSE POLARITY

Part Number: LM252

