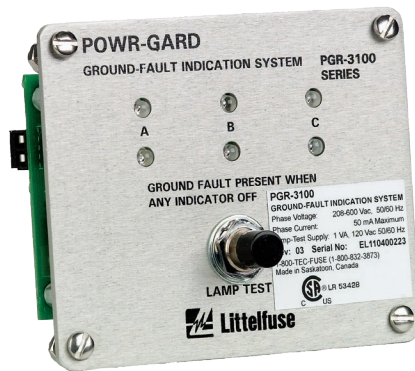
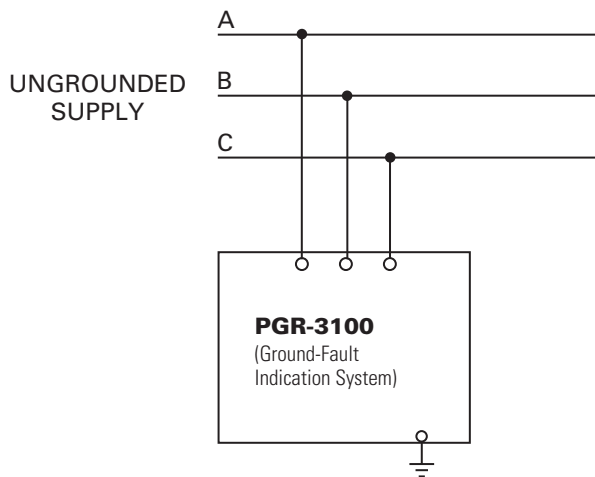


PGR-3100 SERIES

Ground-Fault Indication System



Simplified Circuit Diagram



Ordering Information

ORDERING NUMBER	MOUNTING
PGR-3100	Panel mount

ACCESSORIES						
ORDERING NUMBER	OPTIONS	POWER SUPPLY	ENCLOSURE	INDICATION		
PGR-3100-PNL	-	A	B	-	C	D
	0 = No Options, customer supplied 120 V lamp test 1 = Transformer included for 120 V lamp test	0 = Low Voltage (120, 208, 240), c/w fusing 1 = High Voltage (480, 600), c/w fusing	0 = NEMA 4 Enclosure 1 = 316 Stainless Steel			Future Options

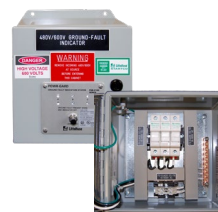
Description

The PGR-3100 indicates the presence of voltage on each phase of a three-phase system. The LEDs on the panel illuminate when voltage is present. When a ground-fault occurs, the voltage on the faulted phase reduces to ground potential, causing the LEDs for the faulted phase to dim and the LEDs for the unfaulted phases to become brighter. Ungrounded ac systems are required by the National Electrical Code (NEC®) Article 250.21(B) and the Canadian Electrical Code Part 1, Section 10-106 (2) to have ground detectors, such as the PGR-3100, installed on the system. External potential transformers (PTs) can be used to step down system voltage, allowing the PGR-3100 to be applied to any system voltage. PTs are not required for system voltages up to 600 Vac.

Features & Benefits

FEATURES	BENEFITS
NEC® and CEC Code compliant	Meets National Electrical Code (NEC®) Article 250.21(B) and Canadian Electrical Code Part 1, Section 10-106 (2) requirements for ungrounded systems
Phase LEDs	Indicates presence of a ground fault and the faulted phase as well as phase-to-ground voltage on an energized bus
Redundant LEDs	Redundant long-life LEDs (two per phase) to ensure reliability
Lamp test button	Verifies LEDs are operating

Accessories



PGR-3100-PNL Panel-Mount Enclosure

PGR-3100-PNL is the PGR-3100 integrated into compact stainless steel enclosure for ease of installation and retrofits. Options include visual alarm, audible alarm with silence and reset. Dimensions are 8" W x 8" H x 4" D.

Specifications

Input Voltage	Up to 600 Vac 50/60 Hz
Indicator Off Voltage	< 30 Vac line to ground
Dimensions	H 88.9 mm (3.5"); W 108 mm (4.3"); D 54 mm (2.1")
Test Button	Local
Approvals	CSA certified, UL Listed
Conformally Coated	Standard feature
Warranty	5 years
Mounting	Panel