

## PISN-C100A

### Outdoor 100W LED Driver

15V - 24V / 4.1A / 100W

#### Features

- ▶ Dimming Method: 1-10V Dimming
- ▶ Constant Current Control
- ▶ Active Power Factor Correction
- ▶ Protection : OVP, SCP, OCP and OTP
- ▶ UL 8750, UL 1310, CSA C22.2 No.250.13-12, CSA C22.2 No.223, Class 2 Output Safety Certifications Approved
- ▶ RoHS Compliant



#### Electrical Specifications

Output [W]	Output [Vdc]	Output [A]	Input [Vac]	Dim. Method	PF	Efficiency [%]	Mechanical Outline [LxWxH mm]
100	15-24	4.1	120-277	1-10V	>0.9	Min.84	243 × 59 × 40

#### Input Specifications

Parameter	Min.	Typ.	Max.	Unit	Remark
Input Voltage (Nominal)	120	-	277	Vac	
Input Voltage (Performance)	108	-	305	Vac	
Input Current	-	-	1	A	@ AC 120V, 100% Load
Input Wattage	-	-	115	W	@ AC 120V, 100% Load
Nominal Input Frequency	-	50/60	-	Hz	
Efficiency	84	-	-	%	@ AC 120-277V, 75-100% Load
Power Factor	0.9	-	-	-	@ AC 120-277V, 75-100% Load
THD	-	-	20	%	@ AC 120-277V, 75-100% Load
Inrush Current	-	-	77	Apk	

※ Note : All parameters NOT specially mentioned are measured at rated load and 25 °C of ambient temperature.

## Output Specifications

Parameter	Min.	Typ.	Max.	Unit	Remark
Output Voltage	15	21	24	V	
Output Current Range	-	4.1	-	A	Fixed Current
Output Dimming Current Range	10	-	100	%	1-10V Dimming
Output Current Tolerance	-5	-	5	%	@ 100% Dimming
Output Ripple Current	-	-	20	%	= Peak to Peak / rms @ 100% Dimming
Output Power	-	-	100	W	
Start-up Time	-	-	500	ms	@ 100% Dimming

## Protection Functions

Parameter	Min.	Typ.	Max.	Unit	Remark
Output Over Voltage Protection	-	-	24	V	Latch Off
Output Short Circuit Protection	-	-	-	A	Auto Recovery
Output Over Current Protection	-	-	5	A	Auto Recovery
Output Over Temp. Protection	-	-	-	°C	Auto Recovery @ Tc

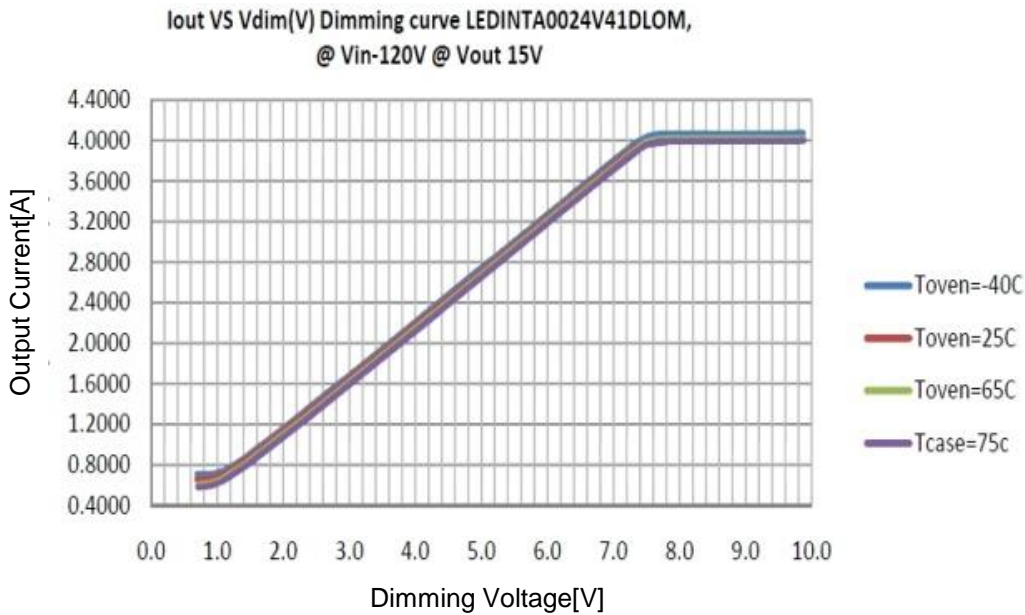
## Environmental Specifications

Parameter		Min.	Typ.	Max.	Unit	Remark
Temperature	Operation	-40	-	55	°C	@ Ta
		-	-	85	°C	@ Tc
	Storage	-40	-	90	°C	@ Ta
Humidity	Operation	10	-	90	%	-
	Storage	10	-	90	%	-
Lifetime		50	-	-	KHrs	@ Tc=75°C

※ Note : All parameters NOT specially mentioned are measured at rated load and 25°C of ambient temperature.

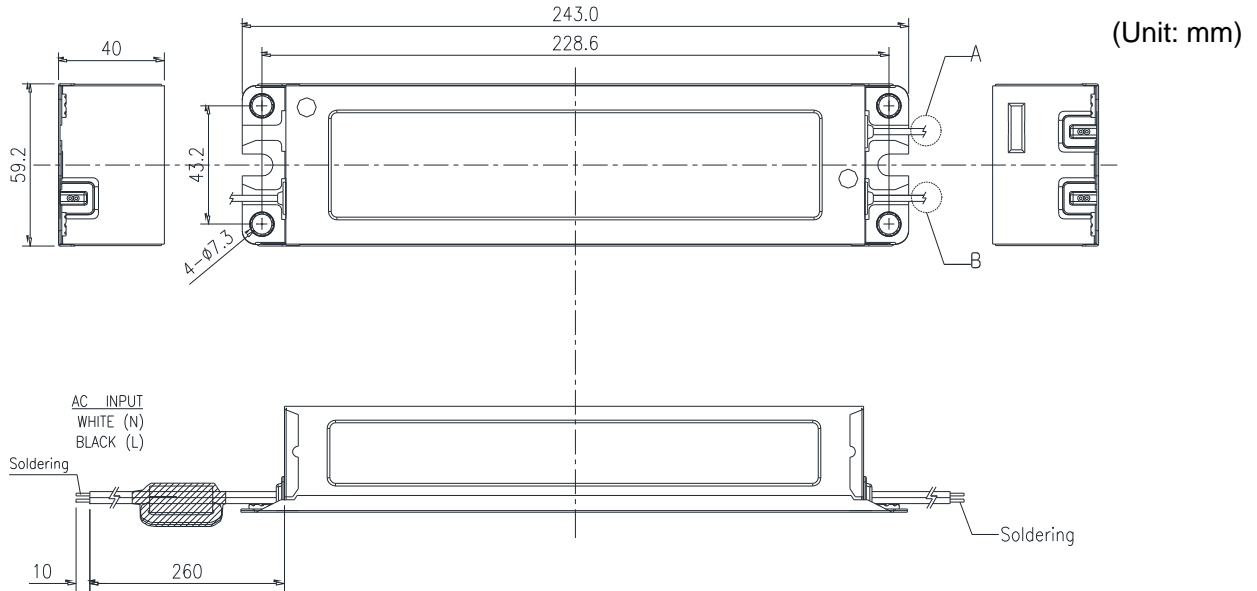
**Standards**

Parameter	Condition	Remark
Safety Standards	Design to meet the requirements as follows ; - UL 8750, UL 1310, CSA C22.2 No.250.13-12, CSA C22.2 No.223 - Class 2 Output	
EMI / RFI Standards	Design to meet the requirements as follows ; - FCC part 15, Class B verification	
Ingress Protection	- IP66 equivalent level	

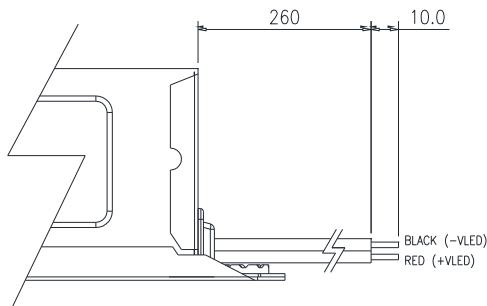
**Dimming Control (1-10V Dimming)**


## Mechanical Outline

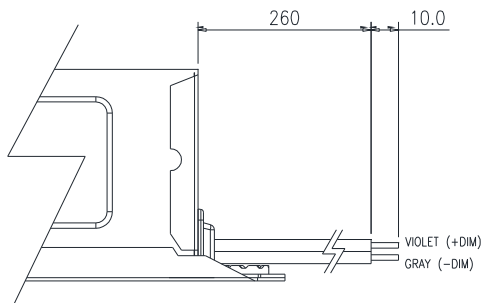
### 1. Case Dimension



Detail "A"



Detail "B"



#### WIRE SPECIFICATION

- AC INPUT : SJTW 18AWG x 2C
- DC OUTPUT : AWG18 SOLID WIRE UL1316/1452
- DIMMING : AWG18 SOLID WIRE UL1316/1452

*Datasheet is subject to change without notice.*

## Mechanical Outline

### 2. Connector Description

#### 2.1 AC Input Connector

Item	No	Name	Color
AC Input	1	Line	Black
	2	Neutral	White

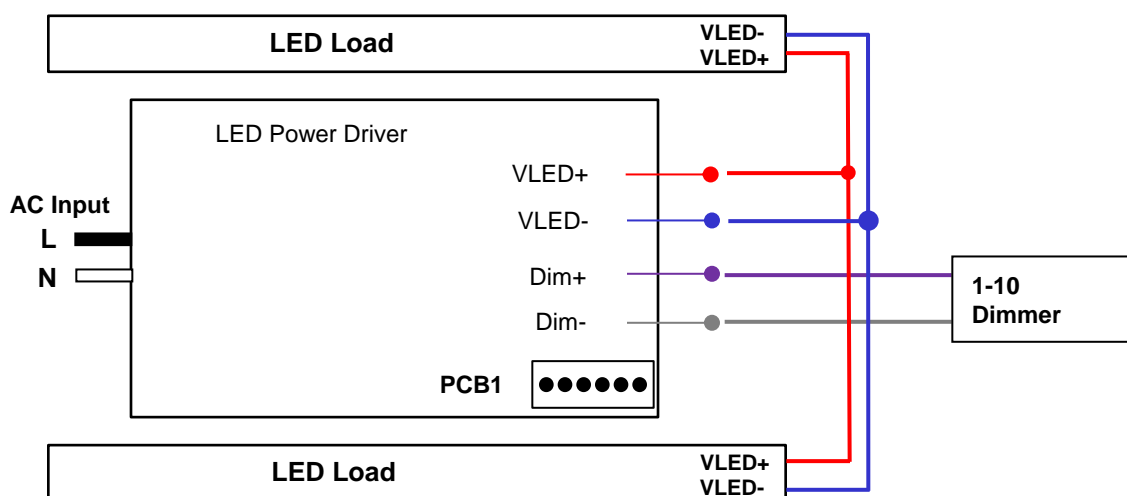
#### 2.2 DC Output Connector

Item	No	Name	Color
DC Output	1	VLED+	Red
	2	VLED-	Blue

Item	No	Name	Color
1-10V dimming	1	Dim+	Violet
	2	Dim-	Gray

Item	No	Name
PCB1 MCU control	1	PGC
	2	PGD
	3	GND
	4	VCC
	5	MCLR
	6	COMM-EN

#### 2.3 Connection Map



**Datasheet Revision History**

Change Date	Rev. No.	Description of Change	Remark
2014/09/26	1.0	- Initial Release	