

SUMMARY

Wires



Image is for illustrative purpose only

Series	2B
Termination type	No contacts / Accessory
IP rating	61
AWG wire size	0.00 - 0.00
Cable Ø	0.00 - 0.00 mm
Status	active

Download

[Request a quote](#)

[Catalog](#)

TECHNICAL DETAILS

Mechanics

Shell Style/Model	BRA*: Cap for receptacle
Keying	No keying
Housing Material	POM (Polyoxymethylene) shell without treatment, silicone gasket
Weight	1.24 g

Performance

Configuration
Insulator
Rated Current

Others

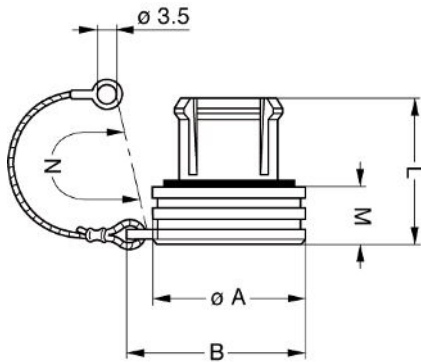
Endurance (Shell): 5000
Temp (min / max): -55° C / +100° C
Humidity (max): <=95% [at 60 deg C / 140 F]
Vibration: 15 g [10 Hz - 2000 Hz]
Shock Resistance: 100 g [6 ms]

LEMO products and services are provided "as is". LEMO makes no warranties or representations with regard to LEMO product & services or use of them, express, implied or statutory, including for accuracy, completeness, or security. The user is fully responsible for his products and applications using LEMO components.

Climatical Category: 50/175/21
Shielding (min): 75 dB (10 MHz)
Shielding (min): 40 dB (1 GHz)

DRAWINGS

Draws



No keying

Dimensions

	A	B	L	M	N
mm.	18	21	14.5	6	60
in.	0.71	0.83	0.57	0.24	2.36

RECOMMENDED BY LEMO

Tools

Cables

LEMO products and services are provided "as is". LEMO makes no warranties or representations with regard to LEMO product & services or use of them, express, implied or statutory, including for accuracy, completeness, or security. The user is fully responsible for his products and applications using LEMO components.