

LE1 LENSES FOR LEDENGIN 5W LEDs



LedEngin, Inc.



- Specially designed for LedEngin 5W series of LEDs.
- Special care taken to make a uniform white or warm white illumination. Lenses work well with other colors, too.
- Lens material optical grade PMMA. Allows use of high current and temperature conditions
- Best available optical efficiency, more than 90%, with an extremely good cutoff of light
- Fastening of holder to PCB with appropriate adhesive, e.c. epoxy or polyurethane based. NOTE: DO NOT USE SUPERGLUE.

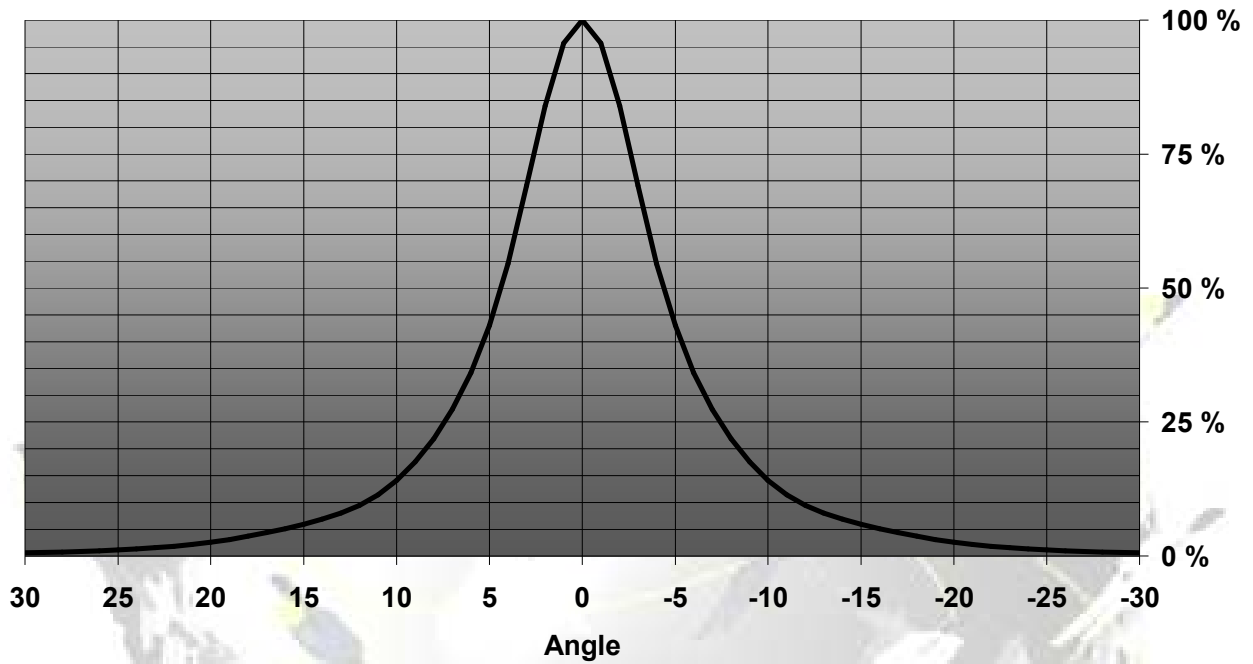
LENS TYPES

NAME	ORDERING CODE	FWHM Angle
LE1 REAL SPOT	FA10784_LE1-RS	±4°
LE1 DIFFUSER	FA10786_LE1-D	±5°
LE1 MEDIUM	FA10783_LE1-M	±12°
LE1 RECTANGULAR	FA10785_LE1-REC	±19° x 12°

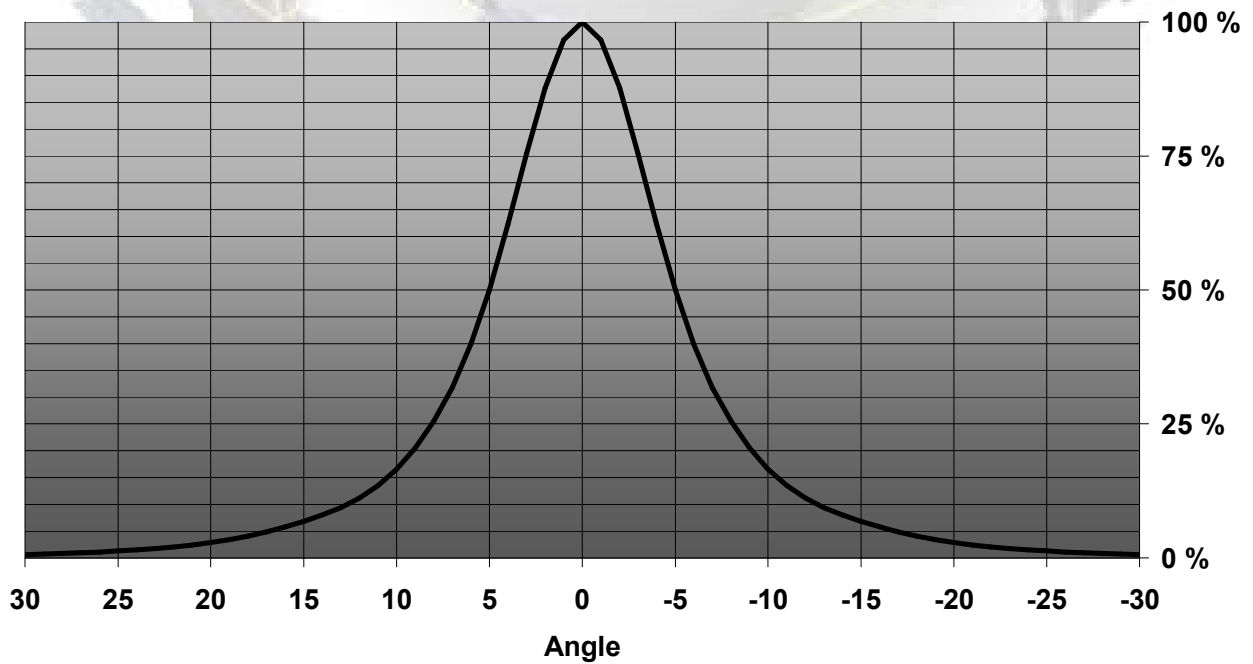
© Ledil Oy – PRELIMINARY - Subject to change without prior notice

MEASUREMENT DATA

Relative Intensity of LE1-RS

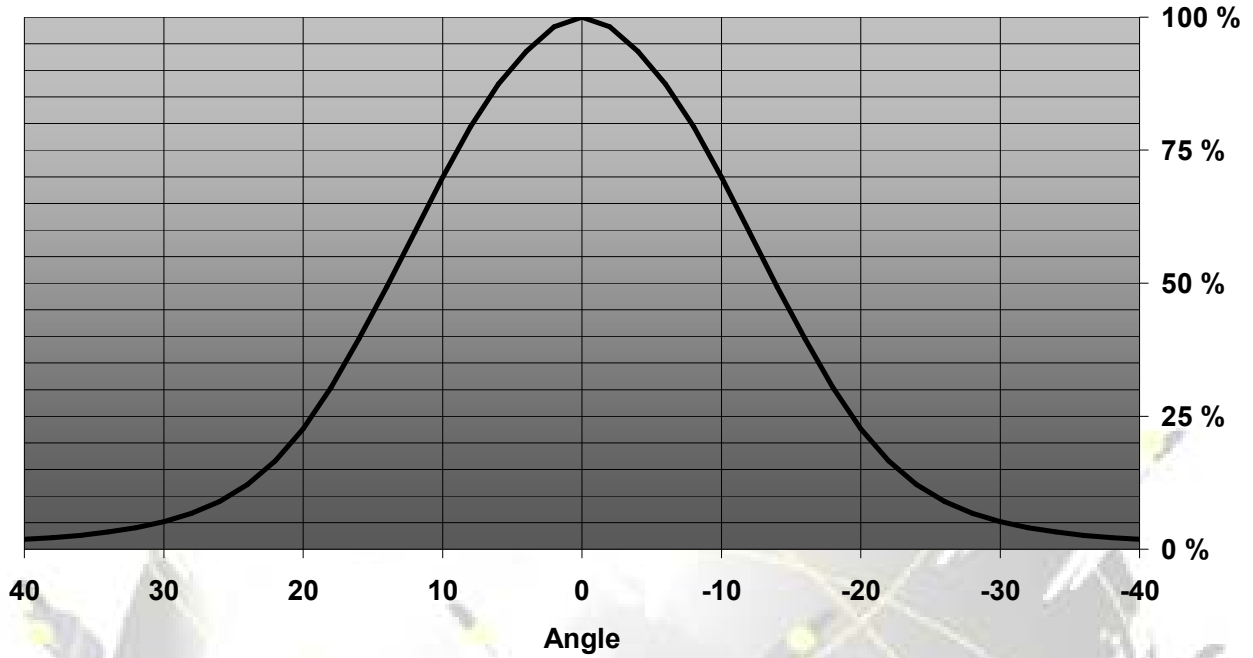


Relative Intensity of LE1-SS

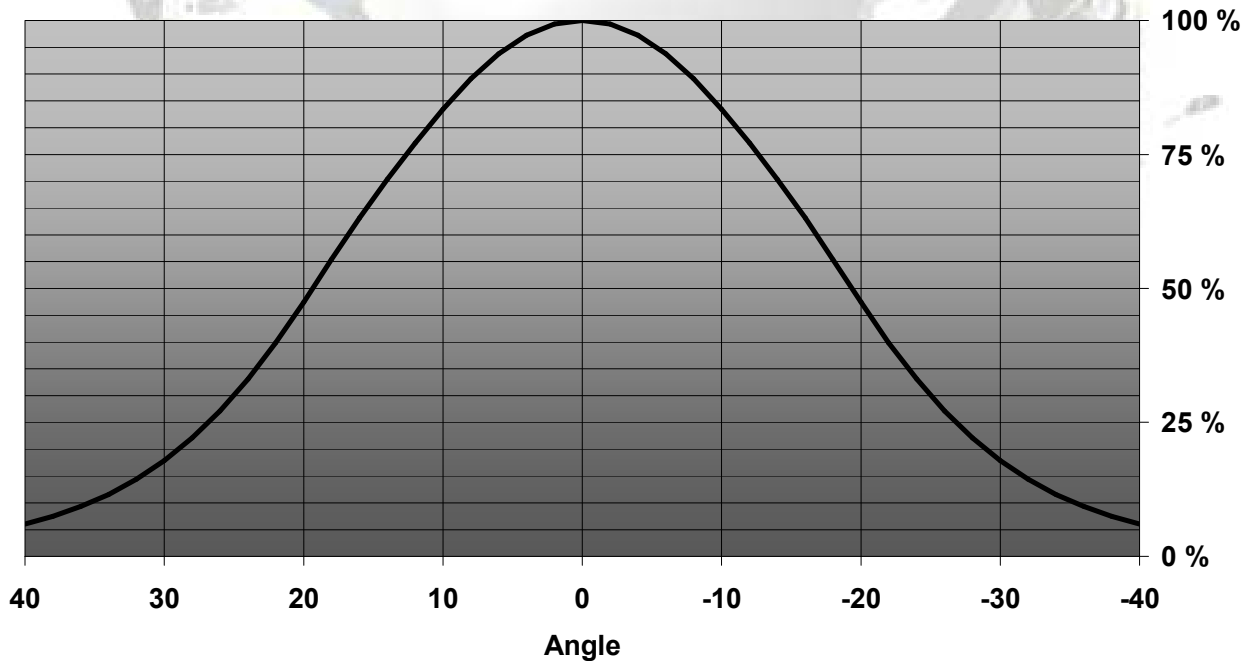


© Ledil Oy - PRELIMINARY - Subject to change without prior notice

Relative Intensity of LE1-M

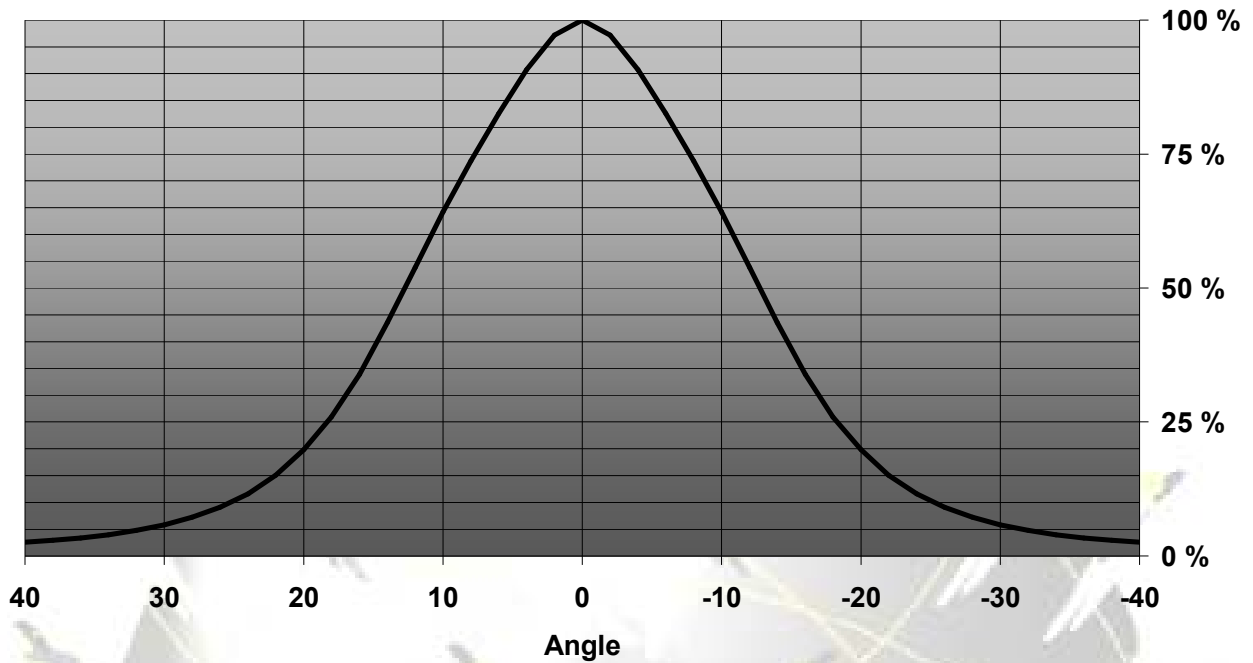


Relative Intensity of LE1-REC(horizontal)



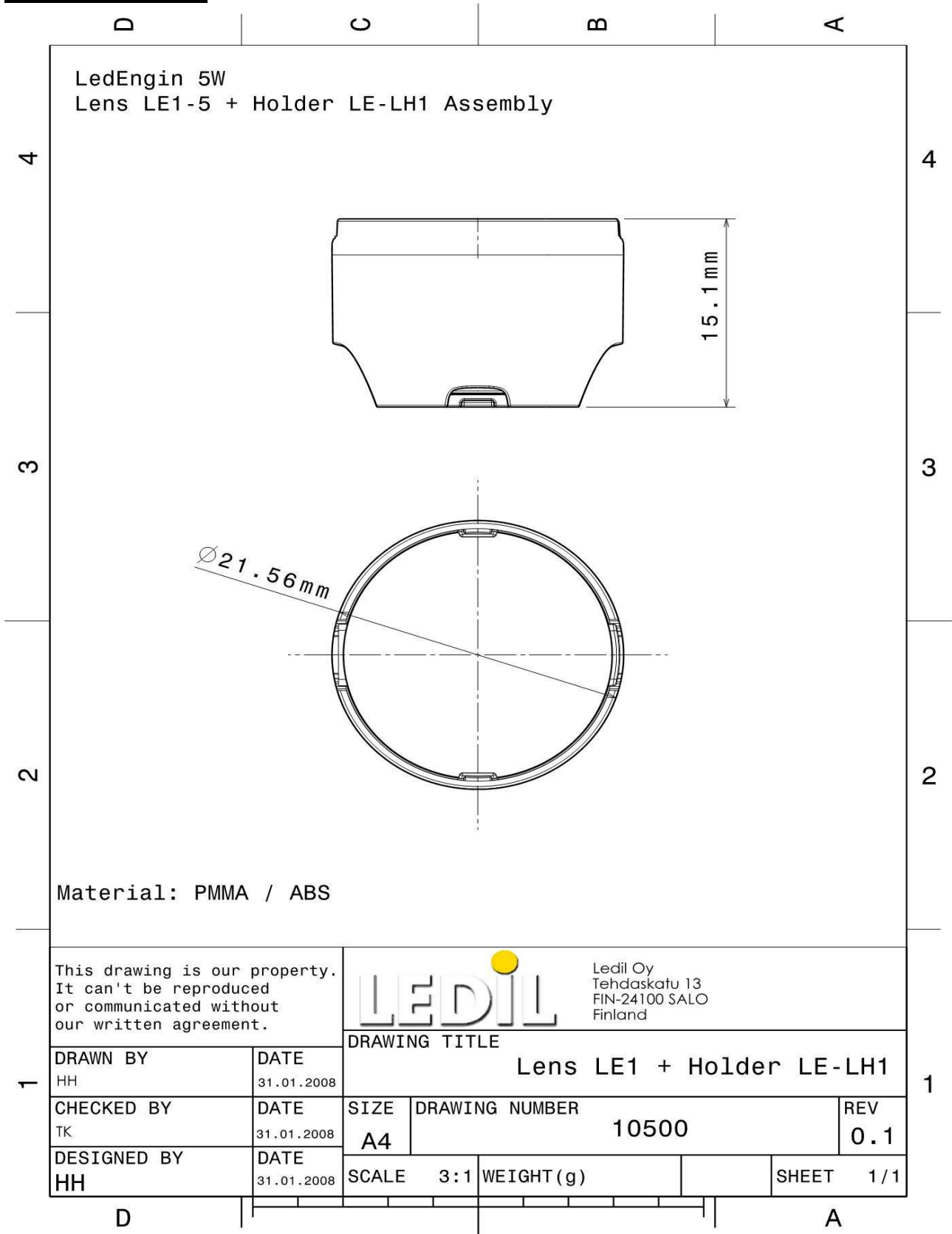
© Ledil Oy – PRELIMINARY - Subject to change without prior notice

Relative Intensity of LE1-REC (vertical)



EULUMDAT & IES FILES AVAILABLE BY REQUEST

DRAWINGS



© Ledil Oy - PRELIMINARY - Subject to change without prior notice