

**Ordering number CN12644_LENINA-S**

Family	Lenina	FWHM	17 degrees
Type	-	Efficiency	88 %
LED	Mega Zenigata (GW5DGC)	cd/lm	-
Color	Metal	Gerber File	Available
Diameter	74 mm		
Height	45.6 mm		
Style	Round		
Optic Material	PC		
Holder Material	PC		
Fastening	Screw		
Status	Ready		

**Ordering number CN12645_LENINA-M**

Family	Lenina	FWHM	21 degrees
Type	-	Efficiency	86 %
LED	Mega Zenigata (GW5DGC)	cd/lm	-
Color	Metal	Gerber File	Available
Diameter	74 mm		
Height	45.6 mm		
Style	Round		
Optic Material	PC		
Holder Material	PC		
Fastening	Screw		
Status	Ready		

**Ordering number CN12648_LENINA-M-DL**

Family	Lenina	FWHM	22 degrees
Type	-	Efficiency	78 %
LED	Mega Zenigata (GW5DGC)	cd/lm	-
Color	Metal	Gerber File	Available
Diameter	74 mm		
Height	47.7 mm		
Style	Round		
Optic Material	PC		
Holder Material	PC		
Fastening	Screw		
Status	Ready		

**Ordering number CN12647_LENINA-S-DL**

Family	Lenina	FWHM	24 degrees
Type	-	Efficiency	80 %
LED	Mega Zenigata (GW5DGC)	cd/lm	2.800
Color	Metal	Gerber File	Available
Diameter	74 mm		
Height	47.7 mm		
Style	Round		
Optic Material	PC		
Holder Material	PC		
Fastening	Screw		
Status	Ready		

**Ordering number CN12646_LENINA-W**

Family	Lenina	FWHM	41 degrees
Type	-	Efficiency	86 %
LED	Mega Zenigata (GW5DGC)	cd/lm	-
Color	Metal	Gerber File	Available
Diameter	74 mm		
Height	45.6 mm		
Style	Round		
Optic Material	PC		
Holder Material	PC		
Fastening	Screw		
Status	Ready		

**Ordering number CN12649_LENINA-W-DL**

Family	Lenina	FWHM	45 degrees
Type	-	Efficiency	78 %
LED	Mega Zenigata (GW5DGC)	cd/lm	-
Color	Metal	Gerber File	Available
Diameter	74 mm		
Height	47.7 mm		
Style	Round		
Optic Material	PC		
Holder Material	PC		
Fastening	Screw		
Status	Ready		

**Ordering number CN12962_LENINA-XW**

Family	Lenina	FWHM	73 degrees
Type	-	Efficiency	90 %
LED	Mega Zenigata (GW5DGC)	cd/lm	0.630
Color	White	Gerber File	Available
Diameter	74 mm		
Height	45.6 mm		
Style	Round		
Optic Material	PC		
Holder Material	PC		
Fastening	Socket		
Status	Ready		

Reflector twist-and-locks into included base part that holds COB

NOTE: The typical divergence will be changed by different color, chip size and chip position tolerance. The typical total divergence is the full angle measured where the luminous intensity is half of the peak value.



PRODUCT DATASHEET

Lenina series

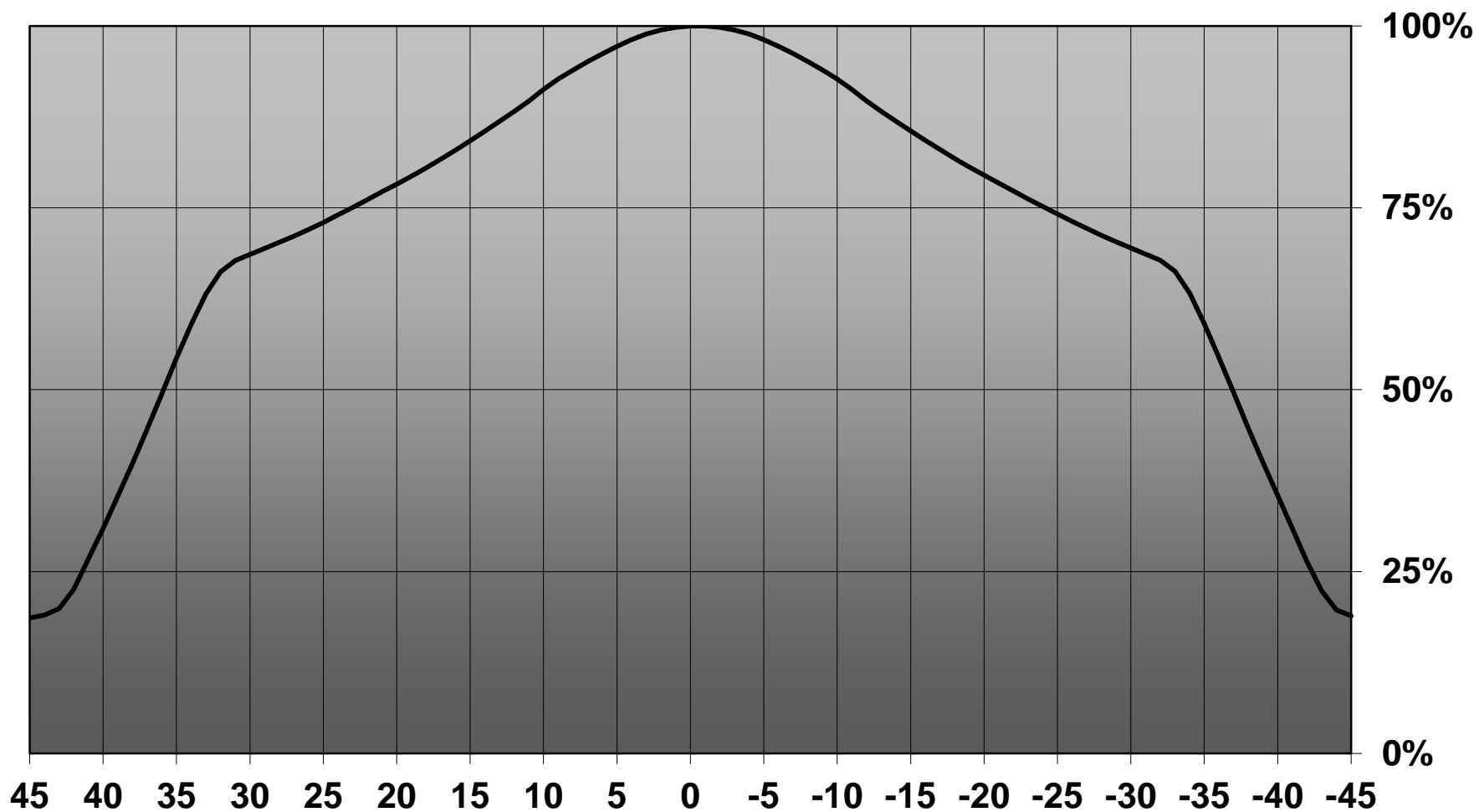
last update 27/9/2012

SHARP

GENERAL INFORMATION

- Product series especially designed & optimized for Mega Zenigata (GW5DGC) series of LEDs.
- Special care taken to make light distribution as uniform as possible.
- Reflector is made of aluminium coated PC (120 degrees of Celcius / 248 degrees of Fahrenheit) with protective lacquer (110 degrees of Celcius / 230 degrees of Fahrenheit).
- Optic holder molded by high quality PC material (120 dergees of Celcius / 248 degrees of Fahrenheit).

Absolute intensity of CN12962_LENINA-XW



— CN12962_LENINA-XW

D C B A

4

4

3

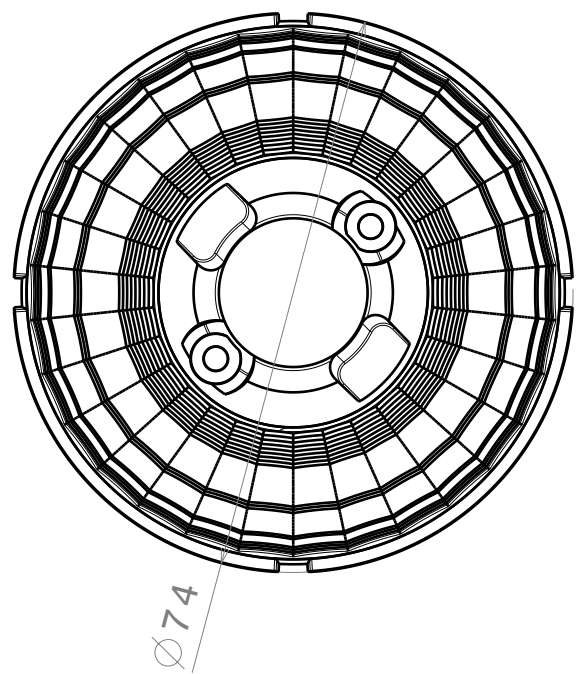
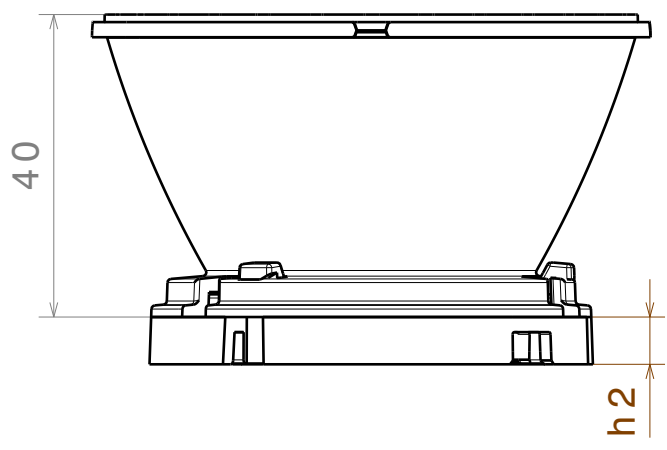
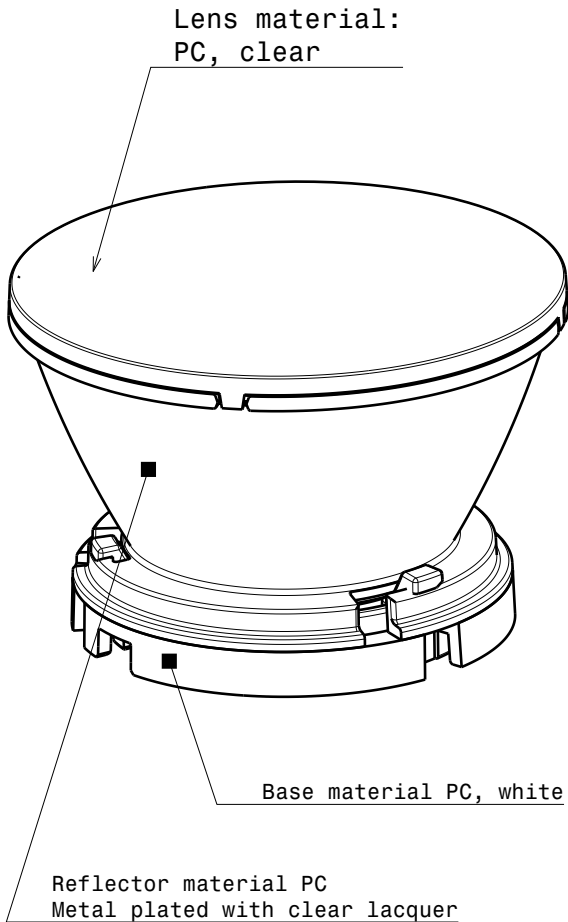
3

2

2

1


1



NOTE:

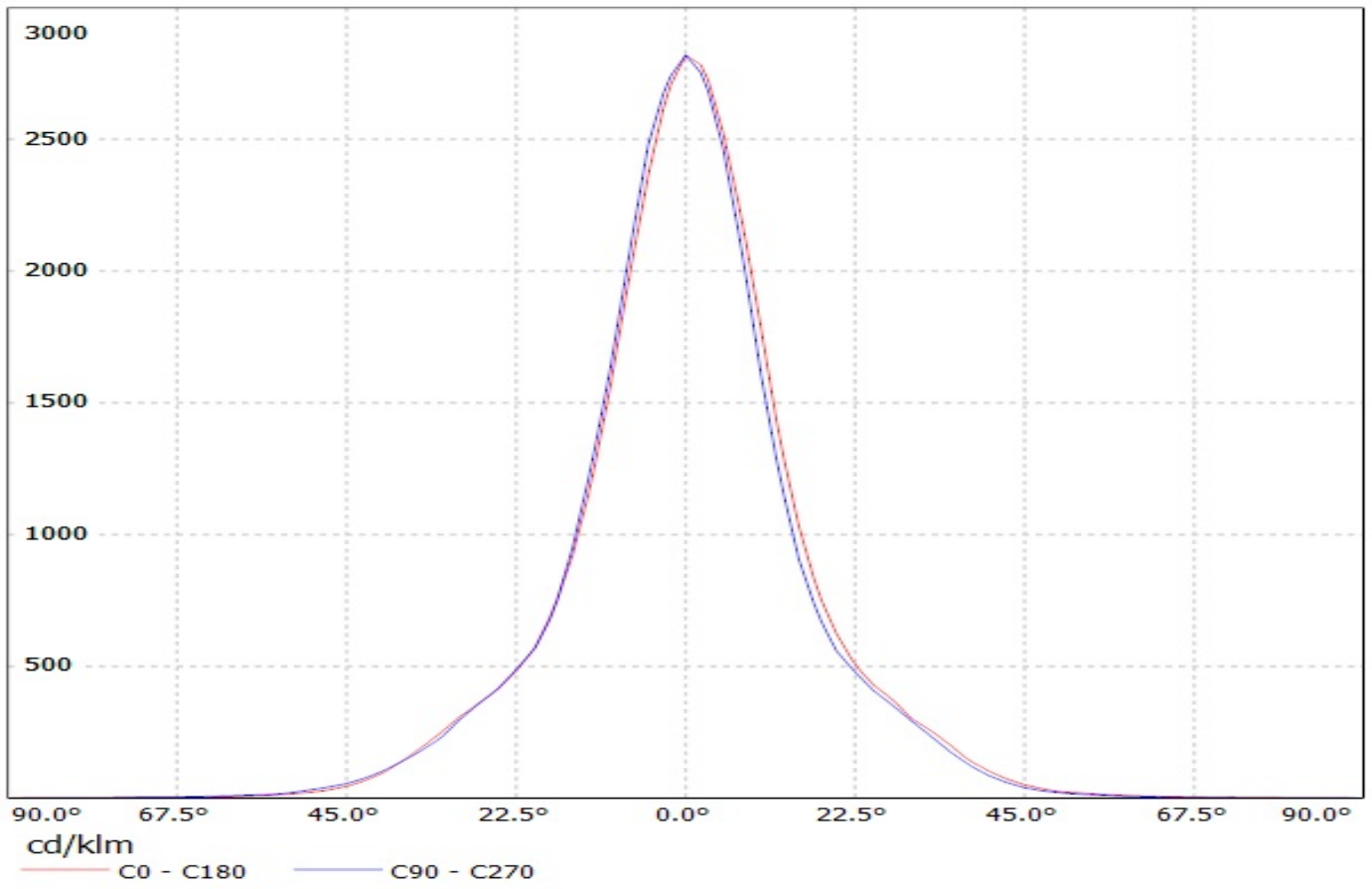
Using optional sublens, add 2.1mm to the system height

Dimension 'h2' varies from 4.5mm to 7mm depending on the LED specific base part

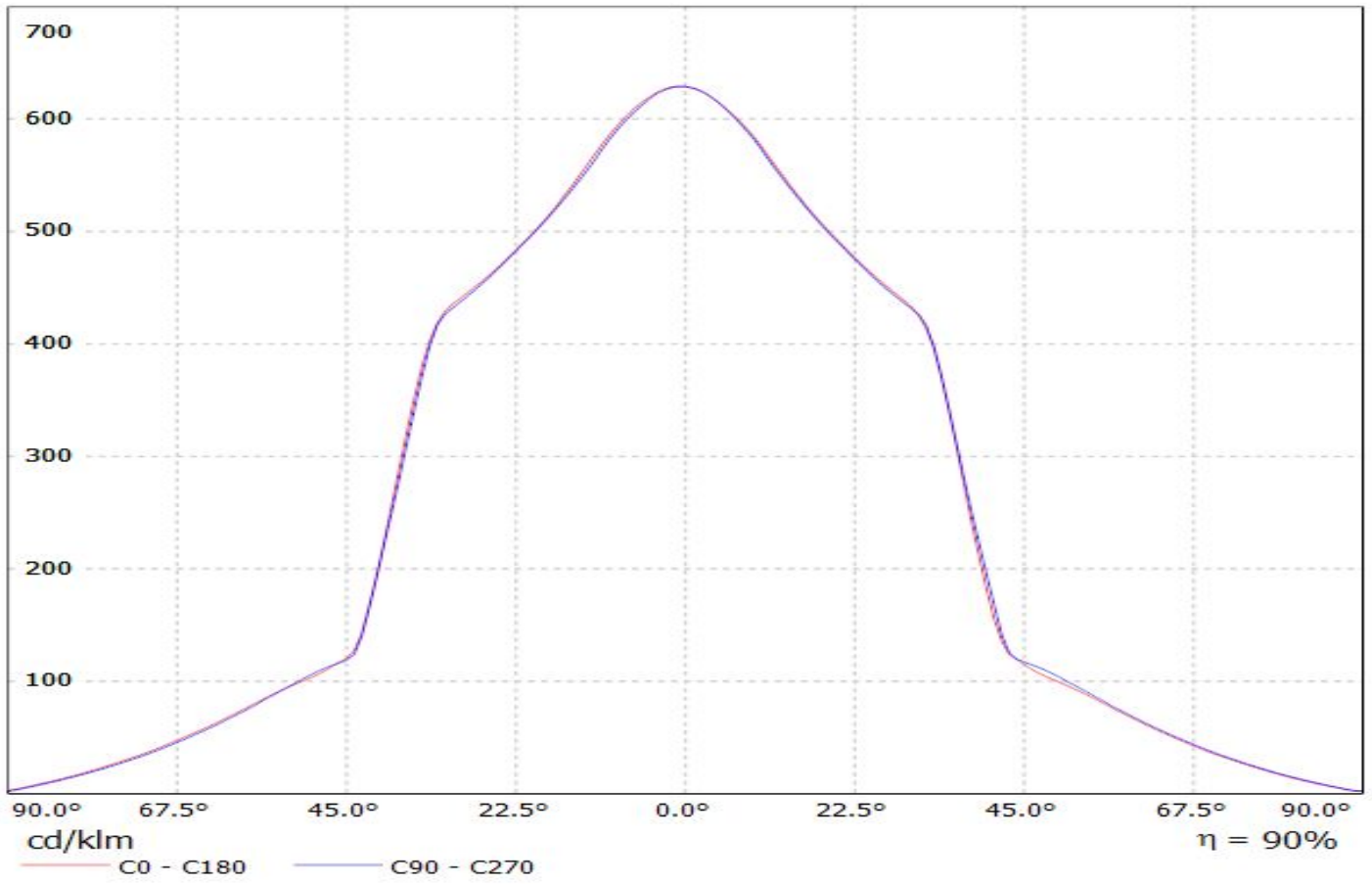
This drawing is our property. It can't be reproduced or communicated without our written agreement.				Ledil Oy Salorankatu 10 FIN-24240 SALO Finland	
DRAWING TITLE		Datasheet Lenina series			
DRAWN BY pl	DATE 08.03.2012	SIZE A4	DRAWING NUMBER --		REV 1
CHECKED BY	DATE	SCALE 1:1	WEIGHT (g)	SHEET	1/1
DESIGNED BY pl	DATE 08.03.2012				

D A

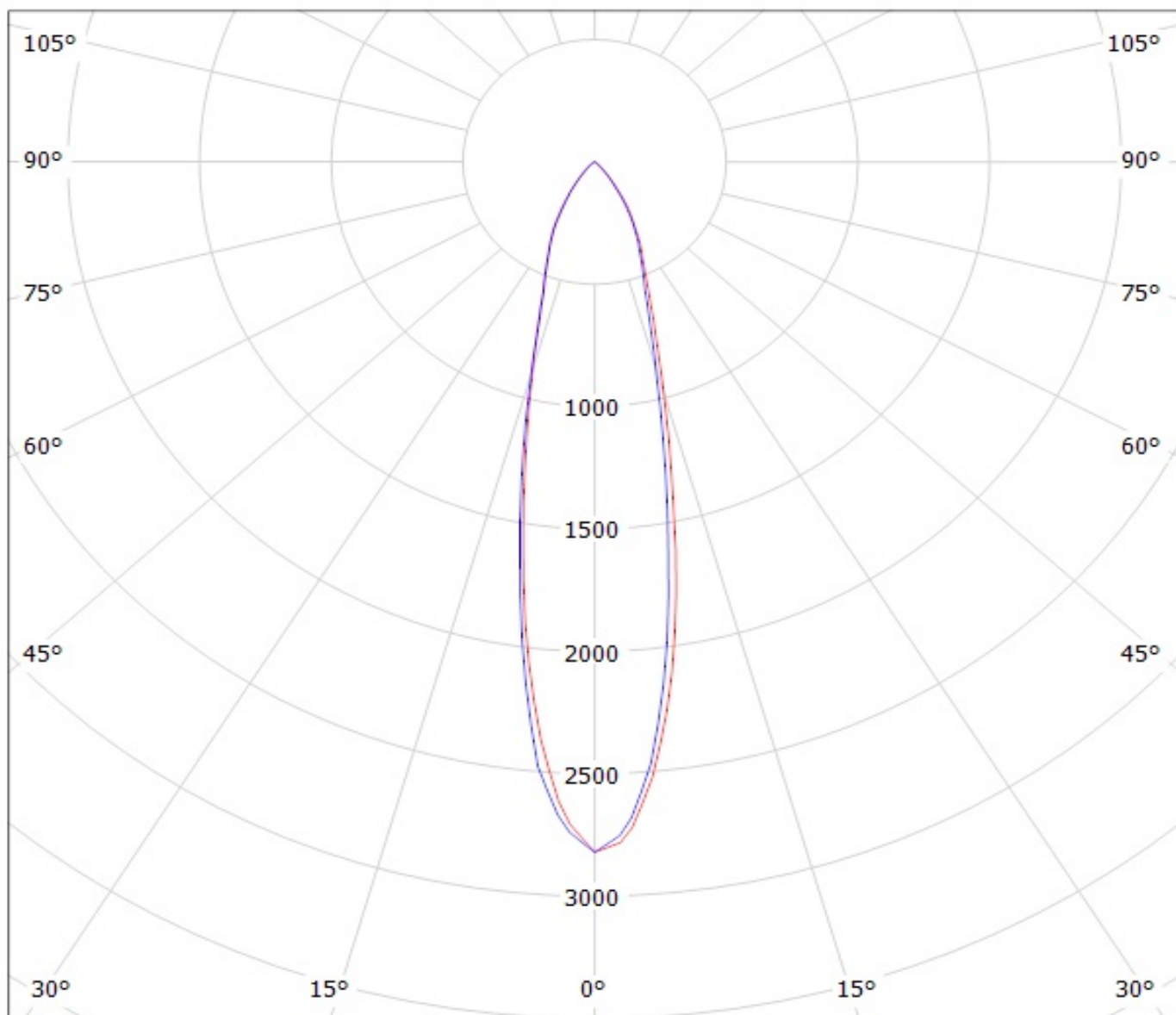
Luminaire: Ledil Oy CN12647_LENINA-S-DL (Megazenigata 867lm @ 250mA) Efficiency=82%
Lamps: 1 x Megazenigata 867lm @ 250mA



Luminaire: LEDIL OY CN12962_LENINA-XW Eff.90.1%
Lamps: 1 x MegaZen (884.6lm@250mA)



Luminaire: Ledil Oy CN12647_LENINA-S-DL (Megazenigata 867lm @ 250mA) Efficiency=82%
Lamps: 1 x Megazenigata 867lm @ 250mA



cd/klm

— C0 - C180

— C90 - C270

Luminaire: LEDIL OY CN12962_LENINA-XW Eff.90.1%
Lamps: 1 x MegaZen (884.6lm@250mA)

