



# PRODUCT DATASHEET

## Mirella series

last update 19/9/2014

### DETAILS

<b>Product Number</b>	C13333_MIRELLA-CL
<b>Family</b>	Mirella
<b>Type</b>	Sublens
<b>Color</b>	clear
<b>Diameter</b>	41 mm
<b>Height</b>	3.4 mm
<b>Style</b>	round
<b>Optic Material</b>	PC
<b>Holder Material</b>	
<b>Fastening</b>	
<b>Status</b>	ready
<b>ROHS Compliant</b>	Yes
<b>Date Updated</b>	19/09/2014

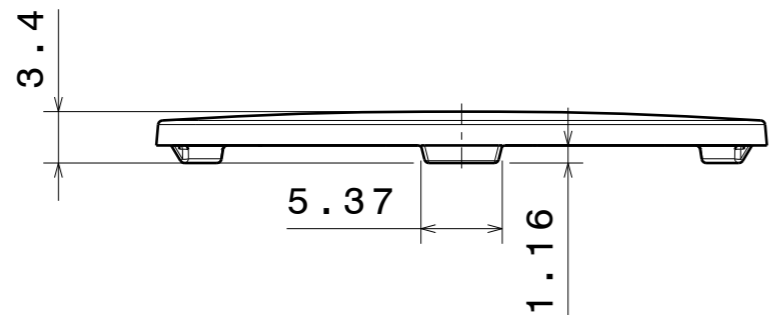


### OPTICAL PROPERTIES

LED	Viewing Angle	Light Beam	Efficiency	cd/lm	Connector
	N/A deg		-	sim: 0.000	-

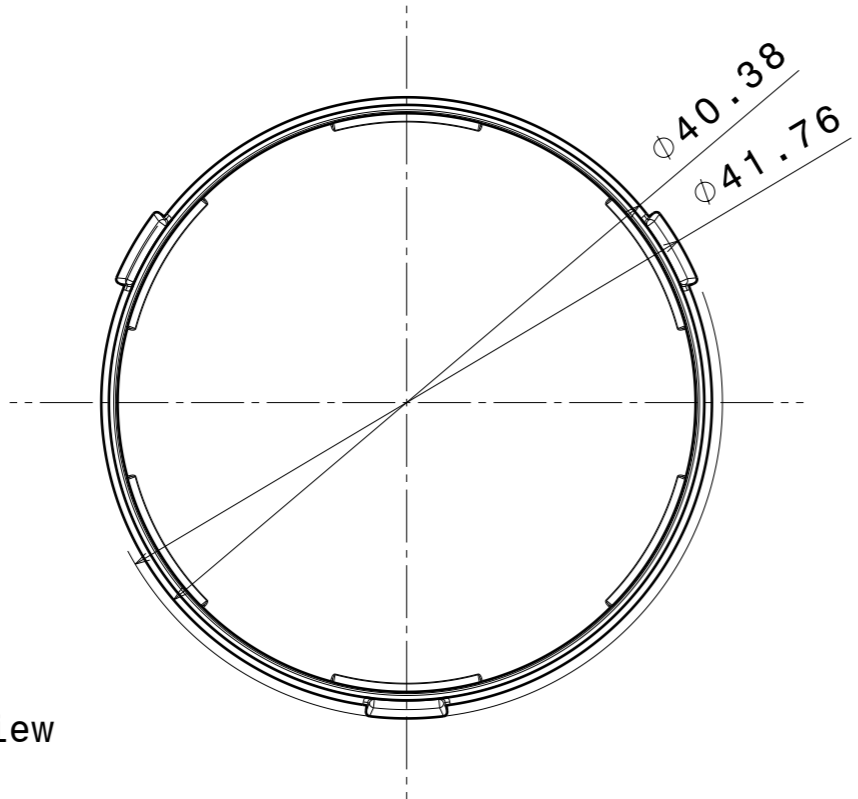
H G F E D C B A

4

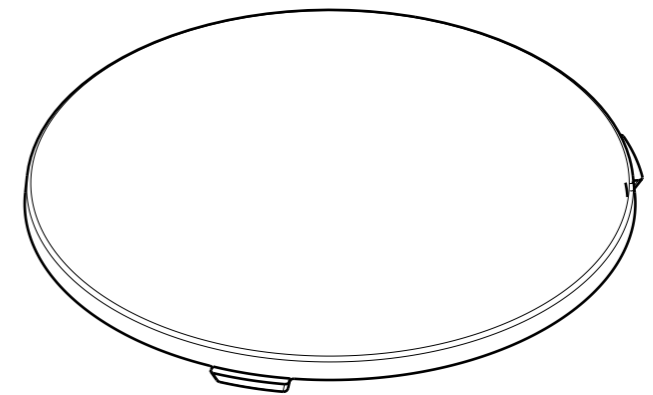


Front view

3



Bottom view



Isometric view

2

2

1

1

INDEX	PART NO	DESCRIPTION	MATERIAL	COLOUR
1	C13333	MIRELLA-CL	PC	clear

Tolerances if not otherwise shown  
According to DIN ISO 2768-1  
Linear measures: class C  
According to DIN ISO 2768-2  
Form and position: class L

**LEDiL** LediL Oy  
Salorankatu 10  
FIN 24240 SALO  
Finland

THIRD ANGLE PROJECTION:

DRAWING TITLE  
**C13333\_MIRELLA-CL**

This drawing is the property of LEDiL Oy. It may not be reproduced, copied or communicated without a written agreement with LEDiL Oy.

SIZE	PART NUMBER
<b>A3</b>	<b>C13333</b>

SCALE	2:1	WEIGHT	2,94 g	SHEET	1/1
-------	-----	--------	--------	-------	-----

H G B A

**NOTE: The typical divergence will be changed by different color, chip size and chip position tolerance. The typical total divergence is the full angle measured where the luminous intensity is half of the peak value.**