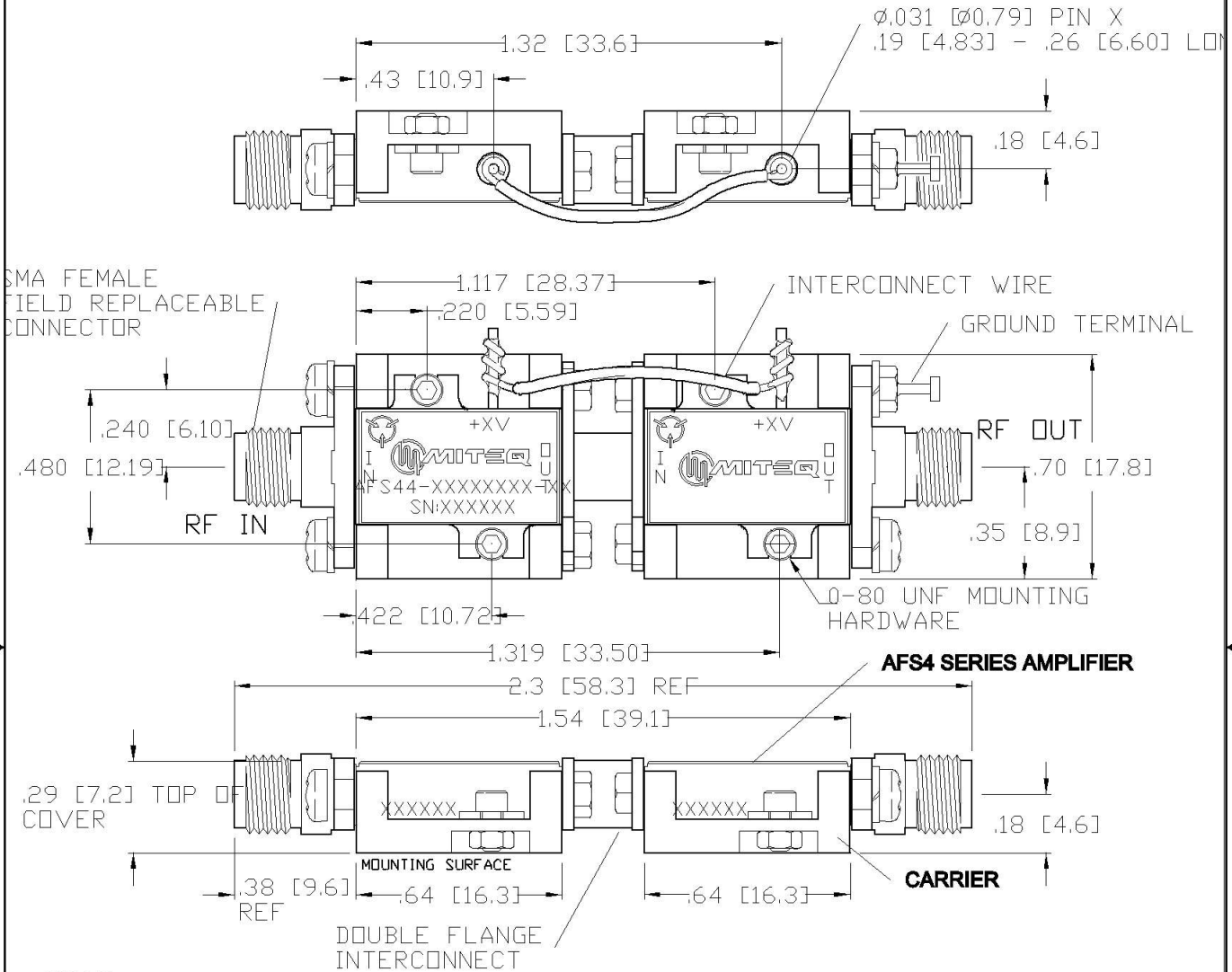


DASH NO.	APPLICATION		REVISIONS			
	NEXT ASSY	USED ON	LTR	DESCRIPTION	DATE	APPROVED
			C	Incorporate ECN 31525	08/05/14	RScherer



- NOTES:**
1. DIMENSIONS IN BRACKET ARE METRIC EQUIVALENTS.
 2. MARKING MAY VARY AS PER CUSTOMER SPECIFICATIONS.
 3. EXISTING 0-80 MOUNTING HARDWARE CAN BE REPLACED WITH LONGER SCREWS FOR MOUNTING.

UNLESS OTHERWISE SPECIFIED DIMENSIONS ARE IN INCHES TOLERANCES ON DECIMAL .X ±0.1 [2.5] DECIMAL .XX ±0.01 [0.25] DECIMAL .XXX ±0.005 [0.13] ANGLES X° ±30' PROJECTION	NAME	DATE	100 Davids Drive, Hauppauge, New York 11788			
	DWN	RScherer				02/16/01
	DFT	RScherer	08/05/14	CASCADING AMPLIFIER AFS44 OUTLINE		
	PRQJ	Buonaiuto	08/05/14			
ESD SENSITIVE COMPONENT	MFG ENGR		SIZE	CODE IDENT. NO.	REV	
	Q.C.		A	33592 140941	C	
CUST			SCALE	PROJECT	SHEET 1 1 OF	