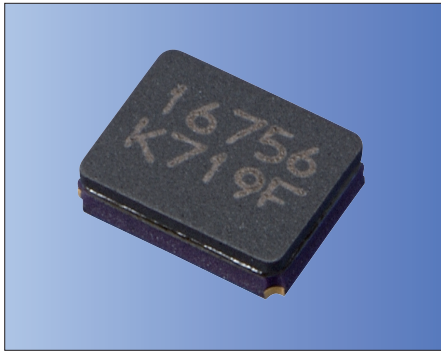




3.2×2.5mm for Consumer Products



RoHS Compliant

**Features**

- Crystal unit for Consumer Products
- Small and low profile 0.9mm max. (3.2×2.5×0.8mm)
- Ceramic package
- Reflow compatible

**Applications**

- Digital Electronics
- Consumer Products

**How to Order**

CX3225GB 27000 D0 H E Q CC  
 ① ② ③ ④ ⑤ ⑥ ⑦

- ①Series
- ②Frequency
- ③Load Capacitance
- ④Frequency Tolerance
- ⑤Operating Temp. Range
- ⑥Frequency Temp. Stability
- ⑦Individual Specification (STD Specification is "CC")

Ⓜ Packaging (Tape & Reel 3000 pcs./ reel)

**Specifications**

Item	Symbol	Specification	Unit	Remarks
Frequency Range	f <sub>nom</sub>	12000 to 54000	kHz	
Overtone Order	OT	Fundamental	—	
Load Capacitance	CL	8	pF	Please contact us for other CL requirements.
Frequency Tolerance	f <sub>tol</sub>	±20	×10 <sup>-6</sup>	25°C±3°C
Motional Series Resistance	R1	Table 1	ohm	
Drive Level	DL	Table 2	μW	
Operating Temp. Range	T <sub>use</sub>	-10 to +70	°C	
Storage Temp. Range	T <sub>stg</sub>	-40 to +85	°C	
Frequency Temp. Characteristics	f <sub>tem</sub>	±30	×10 <sup>-6</sup>	Freq. deviation from the value at 25°C

Please contact us for other specifications.

**Table 1 Motional Series Resistance**

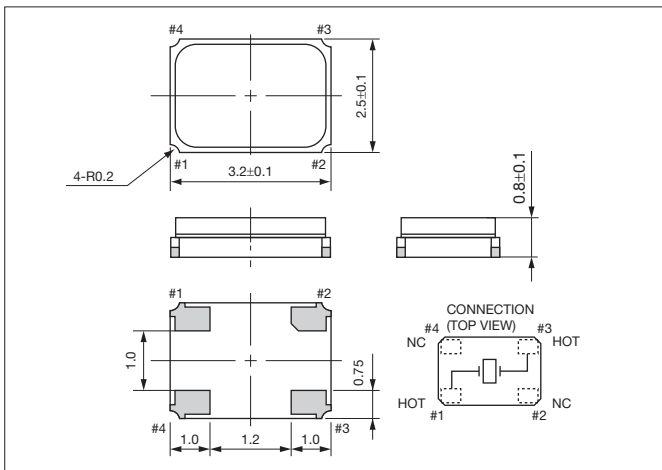
Frequency Range	Motional Series Resistance
12000 ≤ f <sub>nom</sub> < 13000kHz	150 Ω max.
13000 ≤ f <sub>nom</sub> < 14000kHz	100 Ω max.
14000 ≤ f <sub>nom</sub> < 20000kHz	80 Ω max.
20000 ≤ f <sub>nom</sub> < 27000kHz	60 Ω max.
27000 ≤ f <sub>nom</sub> ≤ 54000kHz	50 Ω max.

**Table 2 Level of Drive**

Frequency Range	Level of Drive
12000 ≤ f <sub>nom</sub> ≤ 54000kHz	10μW (100μW max.)

**Dimensions**

(Unit: mm)



**Recommended Land Pattern**

(Unit: mm)

