

Rectifier, Fast Recovery, and Schottky Diode

SHORT FORM CATALOG



Nihon Inter Electronics Corporation

*Latest Data sheets are available at
<http://www.niec.co.jp/>*

Contents

| | Page |
|-------------------------------|--------|
| Rectifier Diode | |
| Axial | B2 |
| SOD-123 | B3 |
| SMA | B3 |
| Narrow SMC | B3 |
| TO-220F-2pin | B3 |
| Fast Recovery Diode | |
| Axial | B4 |
| SOD-123 | B5 |
| SMA | B5 |
| Narrow SMC | B5 |
| TO-251 | B5 |
| Dpak (TO-252) | B6 |
| TO-220-2pin | B6 |
| TO-220 | B6 |
| TO-220F-2pin | B7 |
| TO-220F | B7,8 |
| TO-262 | B9 |
| TO-262-2pin | B9 |
| TO-263 | B10 |
| TO-247 | B11 |
| Modified TO-247 | B11 |
| TO-3P | B11 |
| Schottky Barrier Diode | |
| Axial | B12 |
| SOD-323FL | B12 |
| SOD-123 | B12 |
| SMA | B13 |
| NA | B13 |
| NB | B13 |
| Narrow SMC | B14 |
| TO-251 | B14 |
| Dpak (TO-252) | B15 |
| TO-220-2pin | B16 |
| TO-220 | B16 |
| TO-220F-2pin | B17 |
| TO-220F | B18~21 |
| TO-262 | B22 |
| TO-263LP | B22 |
| TO-263 | B23 |
| TO-247-2pin | B23 |
| TO-247 | B24 |
| Modified TO-247 | B25 |
| TO-3P | B25 |
| Case Outlines | B26~32 |

Rectifier Diode

| Part Number | V _{RRM} (V) | I _{FAV} (A) | Condition | I _{FSM} (A) | V _{FM} (V) 25° C | I _{RM} (μA) 25° C | T _{jmax} (° C) | Case Outline |
|-------------|----------------------|----------------------|-----------|----------------------|---------------------------|----------------------------|-------------------------|--------------|
|-------------|----------------------|----------------------|-----------|----------------------|---------------------------|----------------------------|-------------------------|--------------|



| | | | | | | | | |
|---------|-----|-----|---------------------|-----|---|----|-----|---|
| 10EDA10 | 100 | 1 | Ta=39°C PCB Mounted | 45 | 1 | 10 | 150 | 1 |
| 10EDA20 | 200 | 1 | Ta=39°C PCB Mounted | 45 | 1 | 10 | 150 | 1 |
| 10EDA40 | 400 | 1 | Ta=39°C PCB Mounted | 45 | 1 | 10 | 150 | 1 |
| 10EDA60 | 600 | 1 | Ta=39°C PCB Mounted | 45 | 1 | 10 | 150 | 1 |
| 10EDB10 | 100 | 1 | Ta=39°C PCB Mounted | 45 | 1 | 10 | 150 | 1 |
| 10EDB20 | 200 | 1 | Ta=39°C PCB Mounted | 45 | 1 | 10 | 150 | 1 |
| 10EDB40 | 400 | 1 | Ta=39°C PCB Mounted | 45 | 1 | 10 | 150 | 1 |
| 10EDB60 | 600 | 1 | Ta=39°C PCB Mounted | 45 | 1 | 10 | 150 | 1 |
| 10JDA10 | 100 | 1 | Ta=29°C | 45 | 1 | 10 | 150 | 2 |
| 10JDA20 | 200 | 1 | Ta=29°C | 45 | 1 | 10 | 150 | 2 |
| 10JDA40 | 400 | 1 | Ta=29°C | 45 | 1 | 10 | 150 | 2 |
| 10JDA60 | 600 | 1 | Ta=29°C | 45 | 1 | 10 | 150 | 2 |
| 10DDA10 | 100 | 1 | Ta=58°C | 45 | 1 | 10 | 150 | 3 |
| 10DDA20 | 200 | 1 | Ta=58°C | 45 | 1 | 10 | 150 | 3 |
| 10DDA40 | 400 | 1 | Ta=58°C | 45 | 1 | 10 | 150 | 3 |
| 10DDA60 | 600 | 1 | Ta=58°C | 45 | 1 | 10 | 150 | 3 |
| 20KDA10 | 100 | 1.7 | Ta=34°C PCB Mounted | 75 | 1 | 10 | 150 | 4 |
| 20KDA20 | 200 | 1.7 | Ta=34°C PCB Mounted | 75 | 1 | 10 | 150 | 4 |
| 20KDA40 | 400 | 1.7 | Ta=34°C PCB Mounted | 75 | 1 | 10 | 150 | 4 |
| 20KDA60 | 600 | 1.7 | Ta=34°C PCB Mounted | 75 | 1 | 10 | 150 | 4 |
| 30PDA10 | 100 | 3 | TI=124°C | 100 | 1 | 10 | 150 | 6 |
| 30PDA20 | 200 | 3 | TI=124°C | 100 | 1 | 10 | 150 | 6 |
| 30PDA40 | 400 | 3 | TI=124°C | 100 | 1 | 10 | 150 | 6 |
| 30PDA60 | 600 | 3 | TI=124°C | 100 | 1 | 10 | 150 | 6 |

Rectifier Diode

| Part Number | V _{RRM} (V) | I _{FAV} (A) | Condition | I _{FSM} (A) | V _{FM} (V) 25° C | I _{RM} (μA) 25° C | T _{jmax} (° C) | Case Outline |
|-------------|----------------------|----------------------|-----------|----------------------|---------------------------|----------------------------|-------------------------|--------------|
|-------------|----------------------|----------------------|-----------|----------------------|---------------------------|----------------------------|-------------------------|--------------|

SOD-123



| | | | | | | | | |
|----------|-----|-----|----------|---|-----|----|-----|---|
| EP05DA40 | 400 | 0.5 | Tl=107°C | 8 | 1.1 | 10 | 150 | 8 |
|----------|-----|-----|----------|---|-----|----|-----|---|

SMA



| | | | | | | | | |
|----------|-----|---|-----------------------------------|----|------|----|-----|---|
| EC10DS1 | 100 | 1 | Ta=25°C Alumina Substrate Mounted | 25 | 1.1 | 10 | 150 | 9 |
| EC10DS2 | 200 | 1 | Ta=25°C Alumina Substrate Mounted | 25 | 1.1 | 10 | 150 | 9 |
| EC10DS4 | 400 | 1 | Ta=25°C Alumina Substrate Mounted | 25 | 1.1 | 10 | 150 | 9 |
| EC10DA40 | 400 | 1 | Ta=29°C Alumina Substrate Mounted | 25 | 1.05 | 10 | 150 | 9 |

Narrow SMC



| | | | | | | | | |
|----------|-----|---|----------|----|---|----|-----|----|
| NSD03A10 | 100 | 3 | Tl=108°C | 80 | 1 | 50 | 150 | 12 |
| NSD03A20 | 200 | 3 | Tl=108°C | 80 | 1 | 50 | 150 | 12 |
| NSD03A40 | 400 | 3 | Tl=108°C | 80 | 1 | 50 | 150 | 12 |

TO-220F-2pin



| | | | | | | | | |
|----------|-----|----|----------|-----|------|----|-----|----|
| FSD20A90 | 900 | 20 | Tc=102°C | 200 | 1.25 | 50 | 150 | 17 |
|----------|-----|----|----------|-----|------|----|-----|----|

Fast Recovery Diode

| Part Number | V _{RRM} (V) | I _{FAV} (A) | Condition | I _{FSM} (A) | V _{FM} (V) 25° C | I _{RM} (mA) 25° C | T _{jmax} (° C) | t _{rr} (ns) | Case Outline |
|-------------|----------------------|----------------------|-----------|----------------------|---------------------------|----------------------------|-------------------------|----------------------|--------------|
|-------------|----------------------|----------------------|-----------|----------------------|---------------------------|----------------------------|-------------------------|----------------------|--------------|

Axial



| | | | | | | | | | |
|--------------------|-----|-----|---------------------|-----|------|------|-----|-----|---|
| 10ERB10 | 100 | 1 | Ta=50°C PCB Mounted | 45 | 1.03 | 0.01 | 150 | 60 | 1 |
| 10ERB20 | 200 | 1 | Ta=50°C PCB Mounted | 45 | 1.03 | 0.01 | 150 | 60 | 1 |
| 10ERB40 | 400 | 1 | Ta=37°C PCB Mounted | 35 | 1.13 | 0.01 | 150 | 120 | 1 |
| 10ERB60 | 600 | 1 | Ta=37°C PCB Mounted | 35 | 1.13 | 0.01 | 150 | 120 | 1 |
| 10ERA60 | 600 | 1 | TI=118°C | 30 | 1.3 | 0.01 | 150 | 80 | 1 |
| 11EFS2 | 200 | 1 | Ta=32°C PCB Mounted | 30 | 0.98 | 0.01 | 150 | 30 | 1 |
| 11EFS4 | 400 | 1 | Ta=24°C PCB Mounted | 30 | 1.25 | 0.02 | 150 | 30 | 1 |
| 10DRA10 | 100 | 1 | Ta=68°C PCB Mounted | 45 | 1.03 | 0.01 | 150 | 60 | 3 |
| 10DRA20 | 200 | 1 | Ta=68°C PCB Mounted | 45 | 1.03 | 0.01 | 150 | 60 | 3 |
| 10DRA40 | 400 | 1 | Ta=58°C PCB Mounted | 35 | 1.13 | 0.01 | 150 | 120 | 3 |
| 10DRA60 | 600 | 1 | Ta=58°C PCB Mounted | 35 | 1.13 | 0.01 | 150 | 120 | 3 |
| 11DF2 | 200 | 1 | Ta=63°C PCB Mounted | 30 | 0.98 | 0.01 | 150 | 30 | 3 |
| 11DF4 | 400 | 1 | Ta=57°C PCB Mounted | 30 | 1.25 | 0.02 | 150 | 30 | 3 |
| 15KRA10 | 100 | 1.5 | Ta=46°C PCB Mounted | 50 | 1.03 | 0.01 | 150 | 90 | 4 |
| 15KRA20 | 200 | 1.5 | Ta=46°C PCB Mounted | 50 | 1.03 | 0.01 | 150 | 90 | 4 |
| 15KRA40 | 400 | 1.5 | Ta=35°C PCB Mounted | 50 | 1.1 | 0.01 | 150 | 160 | 4 |
| 15KRA60 | 600 | 1.5 | Ta=35°C PCB Mounted | 50 | 1.1 | 0.01 | 150 | 160 | 4 |
| 20NFA40 | 400 | 2 | TI=114°C | 50 | 1.28 | 0.01 | 150 | 35 | 5 |
| 30PRA10 | 100 | 3 | TI=124°C | 100 | 1.07 | 0.01 | 150 | 90 | 6 |
| 30PRA20 | 200 | 3 | TI=124°C | 100 | 1.07 | 0.01 | 150 | 90 | 6 |
| 30PRA40 | 400 | 3 | TI=121°C | 70 | 1.15 | 0.01 | 150 | 210 | 6 |
| 30PRA60 | 600 | 3 | TI=121°C | 70 | 1.15 | 0.01 | 150 | 210 | 6 |
| 31DF2 | 200 | 3 | Ta=40°C with Fin | 60 | 0.98 | 0.01 | 150 | 30 | 6 |
| 31DF4 | 400 | 3 | Ta=25°C with Fin | 60 | 1.25 | 0.02 | 150 | 30 | 6 |
| New 30PFD60 | 600 | 3 | TI=113°C | 45 | 1.45 | 0.02 | 150 | 45 | 6 |
| 30PFB60 | 600 | 3 | TI=109°C | 45 | 1.7 | 0.02 | 150 | 35 | 6 |
| 30PUA60 | 600 | 3 | TI=92°C | 55 | 2.35 | 0.02 | 150 | 32 | 6 |
| 30PUB60 | 600 | 3 | TI=89°C | 45 | 2.7 | 0.02 | 150 | 27 | 6 |

Fast Recovery Diode

| Part Number | V _{RRM} (V) | I _{FAV} (A) | Condition | I _{FSM} (A) | V _{FM} (V) 25° C | I _{RM} (mA) 25° C | T _{jmax} (° C) | t _{rr} (ns) | Case Outline |
|-------------|----------------------|----------------------|-----------|----------------------|---------------------------|----------------------------|-------------------------|----------------------|--------------|
|-------------|----------------------|----------------------|-----------|----------------------|---------------------------|----------------------------|-------------------------|----------------------|--------------|

SOD-123



| | | | | | | | | | |
|----------|-----|-----|----------|---|------|------|-----|----|---|
| EP04RA60 | 600 | 0.4 | Tl=108°C | 8 | 1.32 | 0.01 | 150 | 40 | 8 |
| EP05FA20 | 200 | 0.5 | Tl=115°C | 8 | 0.95 | 0.01 | 150 | 30 | 8 |

SMA



| | | | | | | | | | |
|----------|-----|-----|-----------------------------------|----|------|------|-----|----|---|
| EC8FS6 | 600 | 0.8 | Ta=35°C Alumina Substrate Mounted | 20 | 1.32 | 0.02 | 150 | 80 | 9 |
| EC11FS2 | 200 | 1 | Ta=34°C Alumina Substrate Mounted | 20 | 0.98 | 0.01 | 150 | 30 | 9 |
| EC11FS4 | 400 | 1 | Ta=26°C Alumina Substrate Mounted | 20 | 1.25 | 0.02 | 150 | 30 | 9 |
| EC10UA20 | 200 | 1 | Ta=41°C Alumina Substrate Mounted | 20 | 1.10 | 0.02 | 150 | 20 | 9 |
| EC10UA40 | 400 | 1 | Ta=28°C Alumina Substrate Mounted | 20 | 1.50 | 0.02 | 150 | 25 | 9 |

Narrow SMC



| | | | | | | | | | |
|----------|-----|---|----------|----|------|------|-----|----|----|
| NSF03A20 | 200 | 3 | Tl=106°C | 45 | 0.98 | 0.01 | 150 | 30 | 12 |
| NSF03A40 | 400 | 3 | Tl=99°C | 45 | 1.25 | 0.02 | 150 | 30 | 12 |
| NSF03B60 | 600 | 3 | Tl=83°C | 45 | 1.7 | 0.02 | 150 | 35 | 12 |
| NSU03A60 | 600 | 3 | Tl=72°C | 35 | 2.3 | 0.02 | 150 | 32 | 12 |
| NSU03B60 | 600 | 3 | Tl=58°C | 35 | 2.7 | 0.02 | 150 | 27 | 12 |

TO-251



| | | | | | | | | | |
|----------|-----|------|----------|----|------|------|-----|----|-----|
| EA31FS2 | 200 | 3 | Tc=129°C | 45 | 0.98 | 0.01 | 150 | 30 | 13A |
| ESU03A20 | 200 | 3 | Tc=128°C | 45 | 1.10 | 0.02 | 150 | 25 | 13A |
| EA31FS4 | 400 | 3 | Tc=125°C | 45 | 1.25 | 0.02 | 150 | 30 | 13A |
| ESU03A40 | 400 | 3 | Tc=121°C | 45 | 1.55 | 0.02 | 150 | 30 | 13A |
| ESF03B60 | 600 | 3 | Tc=119°C | 45 | 1.7 | 0.02 | 150 | 35 | 13A |
| EA21FC2 | 200 | 1A×2 | Tc=136°C | 30 | 0.98 | 0.01 | 150 | 30 | 13B |
| EA21FC4 | 400 | 1A×2 | Tc=135°C | 30 | 1.25 | 0.02 | 150 | 30 | 13B |
| EA61FC2 | 200 | 3A×2 | Tc=117°C | 45 | 0.98 | 0.01 | 150 | 30 | 13B |
| ECU06A20 | 200 | 3A×2 | Tc=115°C | 45 | 1.10 | 0.02 | 150 | 25 | 13B |
| EA61FC4 | 400 | 3A×2 | Tc=109°C | 45 | 1.25 | 0.02 | 150 | 30 | 13B |
| ECU06A40 | 400 | 3A×2 | Tc=103°C | 45 | 1.55 | 0.02 | 150 | 30 | 13B |
| ECU06B60 | 600 | 3A×2 | Tc=77°C | 35 | 2.7 | 0.02 | 150 | 27 | 13B |
| ECF06B60 | 600 | 3A×2 | Tc=100°C | 45 | 1.7 | 0.02 | 150 | 35 | 13B |

Fast Recovery Diode

| Part Number | V _{RRM} (V) | I _{FAV} (A) | Condition | I _{FSM} (A) | V _{FM} (V) 25° C | I _{RM} (mA) 25° C | T _{jmax} (° C) | t _{rr} (ns) | Case Outline |
|-------------|----------------------|----------------------|-----------|----------------------|---------------------------|----------------------------|-------------------------|----------------------|--------------|
|-------------|----------------------|----------------------|-----------|----------------------|---------------------------|----------------------------|-------------------------|----------------------|--------------|

Dpak (TO-252)



| | | | | | | | | | |
|------------|-----|------|-----------------------|----|------|------|-----|----|-----|
| EA31FS2-F | 200 | 3 | T _c =129°C | 45 | 0.98 | 0.01 | 150 | 30 | 14A |
| ESU03A20-F | 200 | 3 | T _c =128°C | 45 | 1.10 | 0.02 | 150 | 25 | 14A |
| EA31FS4-F | 400 | 3 | T _c =125°C | 45 | 1.25 | 0.02 | 150 | 30 | 14A |
| ESU03A40-F | 400 | 3 | T _c =121°C | 45 | 1.55 | 0.02 | 150 | 30 | 14A |
| ESF03B60-F | 600 | 3 | T _c =119°C | 45 | 1.7 | 0.02 | 150 | 35 | 14A |
| EA21FC2-F | 200 | 1A×2 | T _c =136°C | 30 | 0.98 | 0.01 | 150 | 30 | 14B |
| EA21FC4-F | 400 | 1A×2 | T _c =135°C | 30 | 1.25 | 0.02 | 150 | 30 | 14B |
| EA61FC2-F | 200 | 3A×2 | T _c =117°C | 45 | 0.98 | 0.01 | 150 | 30 | 14B |
| ECU06A20-F | 200 | 3A×2 | T _c =115°C | 45 | 1.10 | 0.02 | 150 | 25 | 14B |
| EA61FC4-F | 400 | 3A×2 | T _c =109°C | 45 | 1.25 | 0.02 | 150 | 30 | 14B |
| ECU06A40-F | 400 | 3A×2 | T _c =103°C | 45 | 1.55 | 0.02 | 150 | 30 | 14B |
| ECF06B60-F | 600 | 3A×2 | T _c =100°C | 45 | 1.7 | 0.02 | 150 | 35 | 14B |
| ECU06B60-F | 600 | 3A×2 | T _c =77°C | 35 | 2.7 | 0.02 | 150 | 27 | 14B |

TO-220-2pin



| | | | | | | | | | |
|----------|-----|----|-----------------------|-----|------|-------|-----|----|----|
| GSF05A20 | 200 | 5 | T _c =122°C | 80 | 0.98 | 0.02 | 150 | 35 | 15 |
| GSF05A40 | 400 | 5 | T _c =118°C | 80 | 1.25 | 0.03 | 150 | 45 | 15 |
| GSF05B60 | 600 | 5 | T _c =107°C | 80 | 1.7 | 0.03 | 150 | 40 | 15 |
| GSF10A20 | 200 | 10 | T _c =100°C | 120 | 1.03 | 0.025 | 150 | 35 | 15 |
| GSF10A40 | 400 | 10 | T _c =95°C | 120 | 1.3 | 0.03 | 150 | 45 | 15 |

TO-220



| | | | | | | | | | |
|-----------|-----|------|-----------------------|-----|------|-------|-----|----|-----|
| GSF05A20B | 200 | 5 | T _c =122°C | 80 | 0.98 | 0.02 | 150 | 35 | 16B |
| GSF05A40B | 400 | 5 | T _c =118°C | 80 | 1.25 | 0.03 | 150 | 45 | 16B |
| GSF10A20B | 200 | 10 | T _c =100°C | 120 | 1.03 | 0.025 | 150 | 35 | 16B |
| GSF10A40B | 400 | 10 | T _c =95°C | 120 | 1.3 | 0.03 | 150 | 45 | 16B |
| GCF06A20 | 200 | 3A×2 | T _c =123°C | 60 | 0.98 | 0.01 | 150 | 30 | 16A |
| GCF06A40 | 400 | 3A×2 | T _c =118°C | 60 | 1.25 | 0.02 | 150 | 30 | 16A |
| GCF06B60 | 600 | 3A×2 | T _c =110°C | 60 | 1.7 | 0.02 | 150 | 35 | 16A |
| GCF10A20 | 200 | 5A×2 | T _c =117°C | 80 | 0.98 | 0.02 | 150 | 35 | 16A |
| GCF10A40 | 400 | 5A×2 | T _c =112°C | 80 | 1.25 | 0.03 | 150 | 45 | 16A |

Fast Recovery Diode

| Part Number | V _{RRM} (V) | I _{FAV} (A) | Condition | I _{FSM} (A) | V _{FM} (V) 25° C | I _{RM} (mA) 25° C | T _{jmax} (° C) | t _{rr} (ns) | Case Outline |
|-------------|----------------------|----------------------|-----------|----------------------|---------------------------|----------------------------|-------------------------|----------------------|--------------|
|-------------|----------------------|----------------------|-----------|----------------------|---------------------------|----------------------------|-------------------------|----------------------|--------------|

TO-220F-2pin



| | | | | | | | | | |
|-----------|-----|----|-----------------------|-----|------|-------|-----|----|----|
| FSF03D60 | 600 | 3 | T _c =123°C | 50 | 1.45 | 0.02 | 150 | 45 | 17 |
| FSF03B60 | 600 | 3 | T _c =119°C | 60 | 1.7 | 0.02 | 150 | 35 | 17 |
| FSF03UB60 | 600 | 3 | T _c =119°C | 60 | 1.7 | 0.02 | 150 | 35 | 17 |
| FSF05A20 | 200 | 5 | T _c =122°C | 80 | 0.98 | 0.02 | 150 | 35 | 17 |
| FSU05A20 | 200 | 5 | T _c =122°C | 100 | 1.10 | 0.02 | 150 | 27 | 17 |
| FSU05A30 | 300 | 5 | T _c =116°C | 100 | 1.30 | 0.025 | 150 | 30 | 17 |
| FSF05A40 | 400 | 5 | T _c =118°C | 80 | 1.25 | 0.03 | 150 | 45 | 17 |
| FSU05A40 | 400 | 5 | T _c =111°C | 80 | 1.53 | 0.03 | 150 | 32 | 17 |
| FSF05D60 | 600 | 5 | T _c =123°C | 80 | 1.47 | 0.02 | 150 | 65 | 17 |
| FSF05B60 | 600 | 5 | T _c =107°C | 80 | 1.7 | 0.03 | 150 | 40 | 17 |
| FSU05A60 | 600 | 5 | T _c =95°C | 70 | 2.3 | 0.03 | 150 | 35 | 17 |
| FSU05B60 | 600 | 5 | T _c =89°C | 60 | 2.7 | 0.03 | 150 | 30 | 17 |
| FSF10A20 | 200 | 10 | T _c =100°C | 120 | 1.03 | 0.025 | 150 | 35 | 17 |
| FSU10A20 | 200 | 10 | T _c =101°C | 120 | 1.13 | 0.025 | 150 | 32 | 17 |
| FSU10A30 | 300 | 10 | T _c =90°C | 120 | 1.4 | 0.025 | 150 | 35 | 17 |
| FSF10A40 | 400 | 10 | T _c =95°C | 120 | 1.3 | 0.03 | 150 | 45 | 17 |
| FSU10A40 | 400 | 10 | T _c =86°C | 120 | 1.53 | 0.03 | 150 | 40 | 17 |
| FSF10D60 | 600 | 10 | T _c =123°C | 120 | 1.5 | 0.03 | 150 | 75 | 17 |
| FSF10B60 | 600 | 10 | T _c =74°C | 120 | 1.8 | 0.03 | 150 | 50 | 17 |
| FSU10A60 | 600 | 10 | T _c =60°C | 110 | 2.3 | 0.03 | 150 | 45 | 17 |
| FSU10U60 | 600 | 10 | T _c =60°C | 110 | 2.3 | 0.03 | 150 | 45 | 18 |
| FSU10B60 | 600 | 10 | T _c =60°C | 100 | 2.7 | 0.03 | 150 | 40 | 17 |
| FSU20A60 | 600 | 15 | T _c =57°C | 170 | 2.3 | 0.03 | 150 | 55 | 17 |
| FSU20B60 | 600 | 15 | T _c =51°C | 160 | 2.6 | 0.03 | 150 | 50 | 17 |

TO-220F



| | | | | | | | | | |
|------------|-----|----|-----------------------|-----|------|-------|-----|----|-----|
| FSF05A20B | 200 | 5 | T _c =122°C | 80 | 0.98 | 0.02 | 150 | 35 | 19B |
| FSF05A40B | 400 | 5 | T _c =118°C | 80 | 1.25 | 0.03 | 150 | 45 | 19B |
| FSF10A20B | 200 | 10 | T _c =100°C | 120 | 1.03 | 0.025 | 150 | 35 | 19B |
| FSU10UC30B | 300 | 10 | T _c =96°C | 120 | 1.30 | 0.025 | 150 | 33 | 20B |
| FSF10A40B | 400 | 10 | T _c =95°C | 120 | 1.3 | 0.03 | 150 | 45 | 19B |
| FSF10B60B | 600 | 10 | T _c =74°C | 120 | 1.8 | 0.03 | 150 | 50 | 19B |

Continued on the following page.

Fast Recovery Diode

| Part Number | V _{RRM} (V) | I _{FAV} (A) | Condition | I _{FSM} (A) | V _{FM} (V) 25° C | I _{RM} (mA) 25° C | T _{jmax} (° C) | t _{rr} (ns) | Case Outline |
|-------------|----------------------|----------------------|-----------|----------------------|---------------------------|----------------------------|-------------------------|----------------------|--------------|
|-------------|----------------------|----------------------|-----------|----------------------|---------------------------|----------------------------|-------------------------|----------------------|--------------|

TO-220F

Continued from the preceding page



| | | | | | | | | | |
|-----------|-----|---------|-----------------------|-----|------|-------|-----|----|-----|
| FCF06A20 | 200 | 3A×2 | T _c =123°C | 60 | 0.98 | 0.01 | 150 | 30 | 19A |
| FCF06A40 | 400 | 3A×2 | T _c =118°C | 60 | 1.25 | 0.02 | 150 | 30 | 19A |
| FCF06D60 | 600 | 3A×2 | T _c =114°C | 50 | 1.45 | 0.02 | 150 | 45 | 19A |
| FCF06B60 | 600 | 3A×2 | T _c =110°C | 60 | 1.7 | 0.02 | 150 | 35 | 19A |
| FCU06B60 | 600 | 3A×2 | T _c =95°C | 35 | 2.7 | 0.02 | 150 | 27 | 19A |
| FCU10UC16 | 160 | 5A×2 | T _c =120°C | 100 | 1.00 | 0.025 | 150 | 24 | 20A |
| FCF10A20 | 200 | 5A×2 | T _c =117°C | 80 | 0.98 | 0.02 | 150 | 35 | 19A |
| FRF10A20 | 200 | 5A×2 R | T _c =117°C | 80 | 0.98 | 0.02 | 150 | 35 | 19C |
| FCU10A20 | 200 | 5A×2 | T _c =116°C | 100 | 1.1 | 0.02 | 150 | 27 | 19A |
| FCU10UC20 | 200 | 5A×2 | T _c =118°C | 100 | 1.08 | 0.025 | 150 | 25 | 20A |
| FCU10A30 | 300 | 5A×2 | T _c =109°C | 100 | 1.3 | 0.025 | 150 | 30 | 19A |
| FCU10UC30 | 300 | 5A×2 | T _c =112°C | 100 | 1.25 | 0.025 | 150 | 28 | 20A |
| FCF10A40 | 400 | 5A×2 | T _c =112°C | 80 | 1.25 | 0.03 | 150 | 45 | 19A |
| FCF10U40 | 400 | 5A×2 | T _c =112°C | 80 | 1.25 | 0.03 | 150 | 45 | 20A |
| FRF10A40 | 400 | 5A×2 R | T _c =112°C | 80 | 1.25 | 0.03 | 150 | 45 | 19C |
| FCU10A40 | 400 | 5A×2 | T _c =104°C | 80 | 1.53 | 0.03 | 150 | 32 | 19A |
| FCU10UC40 | 400 | 5A×2 | T _c =105°C | 80 | 1.5 | 0.03 | 150 | 30 | 20A |
| FCF10D60 | 600 | 5A×2 | T _c =104°C | 80 | 1.47 | 0.02 | 150 | 65 | 19A |
| FCF10B60 | 600 | 5A×2 | T _c =99°C | 80 | 1.7 | 0.03 | 150 | 40 | 19A |
| FCU10A60 | 600 | 5A×2 | T _c =84°C | 70 | 2.3 | 0.03 | 150 | 35 | 19A |
| FCU10B60 | 600 | 5A×2 | T _c =77°C | 60 | 2.7 | 0.03 | 150 | 30 | 19A |
| FCF16A20 | 200 | 8A×2 | T _c =113°C | 120 | 0.98 | 0.025 | 150 | 35 | 19A |
| FCF16A40 | 400 | 8A×2 | T _c =109°C | 120 | 1.25 | 0.03 | 150 | 45 | 19A |
| FCU20UC16 | 160 | 10A×2 | T _c =107°C | 120 | 1.00 | 0.025 | 150 | 30 | 20A |
| FCU20A20 | 200 | 10A×2 | T _c =101°C | 120 | 1.13 | 0.025 | 150 | 32 | 19A |
| FCU20UC20 | 200 | 10A×2 | T _c =104°C | 120 | 1.08 | 0.025 | 150 | 31 | 20A |
| FCU20A30 | 300 | 10A×2 | T _c =90°C | 120 | 1.4 | 0.025 | 150 | 35 | 19A |
| FCU20UC30 | 300 | 10A×2 | T _c =96°C | 120 | 1.3 | 0.025 | 150 | 33 | 20A |
| FRU20UC30 | 300 | 10A×2 R | T _c =96°C | 120 | 1.3 | 0.025 | 150 | 33 | 20C |
| FCU20A40 | 400 | 10A×2 | T _c =86°C | 120 | 1.53 | 0.03 | 150 | 40 | 19A |
| FCU20U40 | 400 | 10A×2 | T _c =86°C | 120 | 1.53 | 0.03 | 150 | 40 | 20A |
| FCF20D60 | 600 | 10A×2 | T _c =84°C | 120 | 1.5 | 0.03 | 150 | 75 | 19A |
| FCF20B60 | 600 | 10A×2 | T _c =74°C | 120 | 1.8 | 0.03 | 150 | 50 | 19A |
| FCU20A60 | 600 | 10A×2 | T _c =60°C | 110 | 2.3 | 0.03 | 150 | 45 | 19A |
| FCU20B60 | 600 | 10A×2 | T _c =50°C | 100 | 2.7 | 0.03 | 150 | 40 | 19A |

FRF/FRU: Anode Common

Fast Recovery Diode

| Part Number | V _{RRM} (V) | I _{FAV} (A) | Condition | I _{FSM} (A) | V _{FM} (V) 25° C | I _{RM} (mA) 25° C | T _{jmax} (° C) | t _{rr} (ns) | Case Outline |
|-------------|----------------------|----------------------|-----------|----------------------|---------------------------|----------------------------|-------------------------|----------------------|--------------|
|-------------|----------------------|----------------------|-----------|----------------------|---------------------------|----------------------------|-------------------------|----------------------|--------------|

TO-262



| | | | | | | | | | |
|--------------|-----|-------|----------|-----|------|-------|-----|----|----|
| C10T20F-11A | 200 | 5A×2 | Tc=117°C | 80 | 0.98 | 0.02 | 150 | 35 | 21 |
| TCU10A30-11A | 300 | 5A×2 | Tc=109°C | 100 | 1.3 | 0.025 | 150 | 30 | 21 |
| TCF10A40-11A | 400 | 5A×2 | Tc=112°C | 80 | 1.25 | 0.03 | 150 | 45 | 21 |
| TCF10B60-11A | 600 | 5A×2 | Tc=99°C | 80 | 1.7 | 0.03 | 150 | 40 | 21 |
| TCU10A60-11A | 600 | 5A×2 | Tc=84°C | 70 | 2.3 | 0.03 | 150 | 35 | 21 |
| TCU10B60-11A | 600 | 5A×2 | Tc=77°C | 60 | 2.7 | 0.03 | 150 | 30 | 21 |
| C16T20F-11A | 200 | 8A×2 | Tc=113°C | 120 | 0.98 | 0.025 | 150 | 35 | 21 |
| C16T40F-11A | 400 | 8A×2 | Tc=109°C | 120 | 1.25 | 0.03 | 150 | 45 | 21 |
| TCU20A20-11A | 200 | 10A×2 | Tc=101°C | 120 | 1.13 | 0.025 | 150 | 32 | 21 |
| TCU20A30-11A | 300 | 10A×2 | Tc=90°C | 120 | 1.4 | 0.025 | 150 | 35 | 21 |
| TCF20B60-11A | 600 | 10A×2 | Tc=74°C | 120 | 1.8 | 0.03 | 150 | 50 | 21 |
| TCU20A60-11A | 600 | 10A×2 | Tc=60°C | 110 | 2.3 | 0.03 | 150 | 45 | 21 |
| TCU20B60-11A | 600 | 10A×2 | Tc=50°C | 100 | 2.7 | 0.03 | 150 | 40 | 21 |

TO-262-2pin

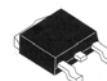


| | | | | | | | | | |
|--------------|-----|---|----------|----|------|------|-----|----|----|
| TSF05A20-11A | 200 | 5 | Tc=122°C | 80 | 0.98 | 0.03 | 150 | 35 | 22 |
| TSF05A40-11A | 400 | 5 | Tc=118°C | 80 | 1.25 | 0.03 | 150 | 45 | 22 |
| TSF05B60-11A | 600 | 5 | Tc=107°C | 80 | 1.7 | 0.03 | 150 | 40 | 22 |

Fast Recovery Diode

| Part Number | V _{RRM} (V) | I _{FAV} (A) | Condition | I _{FSM} (A) | V _{FM} (V) 25° C | I _{RM} (mA) 25° C | T _{jmax} (° C) | t _{rr} (ns) | Case Outline |
|-------------|----------------------|----------------------|-----------|----------------------|---------------------------|----------------------------|-------------------------|----------------------|--------------|
|-------------|----------------------|----------------------|-----------|----------------------|---------------------------|----------------------------|-------------------------|----------------------|--------------|

TO-263



| | | | | | | | | | |
|----------|-----|-------|----------|-----|------|-------|-----|----|-----|
| TSF05A20 | 200 | 5 | Tc=122°C | 80 | 0.98 | 0.03 | 150 | 35 | 23B |
| TSF05A40 | 400 | 5 | Tc=118°C | 80 | 1.25 | 0.03 | 150 | 45 | 23B |
| TSF05B60 | 600 | 5 | Tc=107°C | 80 | 1.7 | 0.03 | 150 | 40 | 23B |
| TSU05A60 | 600 | 5 | Tc=95°C | 70 | 2.3 | 0.03 | 150 | 35 | 23B |
| TSU05B60 | 600 | 5 | Tc=89°C | 60 | 2.7 | 0.03 | 150 | 30 | 23B |
| TSU10A60 | 600 | 10 | Tc=60°C | 110 | 2.3 | 0.03 | 150 | 45 | 23B |
| TSU10B60 | 600 | 10 | Tc=60°C | 100 | 2.7 | 0.03 | 150 | 40 | 23B |
| C10T20F | 200 | 5A×2 | Tc=117°C | 80 | 0.98 | 0.02 | 150 | 35 | 23A |
| TCU10A20 | 200 | 5A×2 | Tc=116°C | 100 | 1.1 | 0.02 | 150 | 27 | 23A |
| TCU10A30 | 300 | 5A×2 | Tc=109°C | 100 | 1.3 | 0.025 | 150 | 30 | 23A |
| TCF10A40 | 400 | 5A×2 | Tc=112°C | 80 | 1.25 | 0.03 | 150 | 45 | 23A |
| TCU10A40 | 400 | 5A×2 | Tc=104°C | 80 | 1.53 | 0.03 | 150 | 32 | 23A |
| TCF10B60 | 600 | 5A×2 | Tc=99°C | 80 | 1.7 | 0.03 | 150 | 40 | 23A |
| TCU10A60 | 600 | 5A×2 | Tc=84°C | 70 | 2.3 | 0.03 | 150 | 35 | 23A |
| TCU10B60 | 600 | 5A×2 | Tc=77°C | 60 | 2.7 | 0.03 | 150 | 30 | 23A |
| C16T20F | 200 | 8A×2 | Tc=113°C | 120 | 0.98 | 0.025 | 150 | 35 | 23A |
| C16T40F | 400 | 8A×2 | Tc=109°C | 120 | 1.25 | 0.03 | 150 | 45 | 23A |
| TCU20A20 | 200 | 10A×2 | Tc=101°C | 120 | 1.13 | 0.025 | 150 | 32 | 23A |
| TCU20A30 | 300 | 10A×2 | Tc=90°C | 120 | 1.4 | 0.025 | 150 | 35 | 23A |
| TCU20A40 | 400 | 10A×2 | Tc=86°C | 120 | 1.53 | 0.03 | 150 | 40 | 23A |
| TCF20B60 | 600 | 10A×2 | Tc=74°C | 120 | 1.8 | 0.03 | 150 | 50 | 23A |
| TCU20A60 | 600 | 10A×2 | Tc=60°C | 110 | 2.3 | 0.03 | 150 | 45 | 23A |
| TCU20B60 | 600 | 10A×2 | Tc=50°C | 100 | 2.7 | 0.03 | 150 | 40 | 23A |

Fast Recovery Diode

| Part Number | V _{RRM} (V) | I _{FAV} (A) | Condition | I _{FSM} (A) | V _{FM} (V) 25° C | I _{RM} (mA) 25° C | T _{jmax} (° C) | t _{rr} (ns) | Case Outline |
|-------------|----------------------|----------------------|-----------|----------------------|---------------------------|----------------------------|-------------------------|----------------------|--------------|
|-------------|----------------------|----------------------|-----------|----------------------|---------------------------|----------------------------|-------------------------|----------------------|--------------|

TO-247



| | | | | | | | | | |
|------------|------|---------|-----------------------|-----|------|-------|-----|-----|-----|
| KSF25A120B | 1200 | 25 | T _c =32°C | 400 | 2.5 | 5 | 150 | 200 | 26B |
| KSF30A20B | 200 | 30 | T _c =101°C | 400 | 0.98 | 0.025 | 150 | 50 | 26B |
| KSU30A30B | 300 | 30 | T _c =89°C | 400 | 1.33 | 0.05 | 150 | 45 | 26B |
| KSF30A40B | 400 | 30 | T _c =90°C | 400 | 1.25 | 0.05 | 150 | 60 | 26B |
| KSF30A60B | 600 | 30 | T _c =64°C | 400 | 1.7 | 0.05 | 150 | 60 | 26B |
| KSF60A60B | 600 | 60 | T _c =57°C | 600 | 1.7 | 0.05 | 150 | 75 | 26B |
| KCF16A20 | 200 | 8A×2 | T _c =113°C | 120 | 0.98 | 0.025 | 150 | 35 | 26A |
| KCF16A40 | 400 | 8A×2 | T _c =109°C | 120 | 1.25 | 0.03 | 150 | 45 | 26A |
| KCU20A20 | 200 | 10A×2 | T _c =101°C | 120 | 1.13 | 0.025 | 150 | 32 | 26A |
| KCU20A30 | 300 | 10A×2 | T _c =90°C | 120 | 1.4 | 0.025 | 150 | 35 | 26A |
| KCU20A40 | 400 | 10A×2 | T _c =86°C | 120 | 1.53 | 0.03 | 150 | 40 | 26A |
| KCU20C40 | 400 | 10A×2 | T _c =89°C | 120 | 1.50 | 0.03 | 150 | 35 | 26A |
| KCF20B60 | 600 | 10A×2 | T _c =74°C | 120 | 1.8 | 0.03 | 150 | 50 | 26A |
| KCU20A60 | 600 | 10A×2 | T _c =60°C | 110 | 2.3 | 0.03 | 150 | 45 | 26A |
| KCU20B60 | 600 | 10A×2 | T _c =50°C | 100 | 2.7 | 0.03 | 150 | 40 | 26A |
| KCF25A20 | 200 | 12.5A×2 | T _c =93°C | 150 | 0.98 | 0.025 | 150 | 50 | 26A |
| KCF25A40 | 400 | 12.5A×2 | T _c =85°C | 200 | 1.25 | 0.05 | 150 | 60 | 26A |
| KCU30A20 | 200 | 15A×2 | T _c =73°C | 150 | 1.13 | 0.025 | 150 | 38 | 26A |
| KCU30A30 | 300 | 15A×2 | T _c =64°C | 150 | 1.3 | 0.025 | 150 | 38 | 26A |
| KCU30A40 | 400 | 15A×2 | T _c =51°C | 150 | 1.57 | 0.03 | 150 | 45 | 26A |

Modified TO-247



| | | | | | | | | | |
|-----------|-----|----|-----------------------|-----|------|-------|-----|----|----|
| KSF30A20E | 200 | 30 | T _c =101°C | 400 | 0.98 | 0.025 | 150 | 50 | 27 |
| KSF30A40E | 400 | 30 | T _c =90°C | 400 | 1.25 | 0.05 | 150 | 60 | 27 |
| KSF30A60E | 600 | 30 | T _c =64°C | 400 | 1.7 | 0.05 | 150 | 60 | 27 |

TO-3P



| | | | | | | | | | |
|-----------|-----|-------|----------------------|-----|------|-------|-----|----|-----|
| LCU60U20 | 200 | 30A×2 | T _c =75°C | 350 | 1.13 | 0.025 | 150 | 43 | 28A |
| LCU60UC30 | 300 | 30A×2 | T _c =67°C | 350 | 1.30 | 0.025 | 150 | 45 | 28A |

Schottky Barrier Diode

| Part Number | V _{RRM} (V) | I _{FAV} (A) | Condition | I _{FSM} (A) | V _{FM} (V) 25° C | I _{RM} (mA) 25° C | T _{jmax} (° C) | Case Outline |
|-------------|----------------------|----------------------|-----------|----------------------|---------------------------|----------------------------|-------------------------|--------------|
|-------------|----------------------|----------------------|-----------|----------------------|---------------------------|----------------------------|-------------------------|--------------|

Axial



| | | | | | | | | |
|----------------------|-----|-----|----------|-----|------|------|-----|---|
| 11EQS03L | 30 | 1 | Ta=55°C | 40 | 0.45 | 1 | 150 | 1 |
| 11EQS04 | 40 | 1 | Ta=48°C | 40 | 0.55 | 1 | 150 | 1 |
| 11EQS06 | 60 | 1 | Ta=29°C | 25 | 0.58 | 1 | 150 | 1 |
| 11EQS10 | 100 | 1 | Ta=53°C | 40 | 0.85 | 0.5 | 150 | 1 |
| 10EHA20 | 200 | 1 | Ta=40°C | 20 | 0.90 | 0.2 | 150 | 1 |
| 11EQ04 | 40 | 1 | Ta=53°C | 40 | 0.55 | 1 | 150 | 2 |
| 11EQ06 | 60 | 1 | Ta=33°C | 25 | 0.58 | 1 | 150 | 2 |
| 11EQ10 | 100 | 1 | Ta=57°C | 40 | 0.85 | 0.5 | 150 | 2 |
| 11DQ03L | 30 | 1 | Ta=74°C | 40 | 0.45 | 1 | 150 | 3 |
| 11DQ04 | 40 | 1 | Ta=73°C | 40 | 0.55 | 1 | 150 | 3 |
| 11DQ06 | 60 | 1 | Ta=54°C | 25 | 0.58 | 1 | 150 | 3 |
| 11DQ10 | 100 | 1 | Ta=78°C | 40 | 0.85 | 0.5 | 150 | 3 |
| 21DQ03L | 30 | 1.7 | Ta=30°C | 50 | 0.45 | 2 | 150 | 4 |
| 21DQ04 | 40 | 1.7 | Ta=35°C | 80 | 0.55 | 1 | 150 | 4 |
| 21DQ06 | 60 | 1.7 | Ta=25°C | 45 | 0.58 | 2 | 150 | 4 |
| 21DQ10 | 100 | 1.7 | Ta=43°C | 70 | 0.85 | 1 | 150 | 4 |
| 20KHA20 | 200 | 2 | Tl=115°C | 40 | 0.90 | 0.2 | 150 | 4 |
| 31DQ03L | 30 | 3 | Ta=53°C | 120 | 0.45 | 3 | 150 | 6 |
| 31DQ04 | 40 | 3 | Ta=53°C | 120 | 0.55 | 3 | 150 | 6 |
| 31DQ06 | 60 | 3 | Ta=43°C | 75 | 0.58 | 3 | 150 | 6 |
| 31DQ10 | 100 | 3 | Ta=59°C | 100 | 0.85 | 1 | 150 | 6 |
| 30PHA20 | 200 | 3 | Tl=125°C | 60 | 0.90 | 0.2 | 150 | 6 |
| New 50PQSA045 | 45 | 5 | Tl=121°C | 150 | 0.55 | 0.35 | 150 | 6 |
| New 50PQSA065 | 65 | 5 | Tl=114°C | 150 | 0.61 | 0.4 | 150 | 6 |
| New 50PHSA12 | 120 | 5 | Tl=114°C | 120 | 0.86 | 0.1 | 150 | 6 |

SOD-323FL



| | | | | | | | | |
|----------|----|---|----------|----|------|-----|-----|---|
| SA10QA03 | 30 | 1 | Tl=124°C | 20 | 0.45 | 0.1 | 150 | 7 |
| SA10LA03 | 30 | 1 | Tl=91°C | 20 | 0.37 | 1.5 | 125 | 7 |
| SA10QA04 | 40 | 1 | Tl=120°C | 20 | 0.52 | 0.1 | 150 | 7 |
| SA10QA06 | 60 | 1 | Tl=117°C | 20 | 0.58 | 0.1 | 150 | 7 |

SOD-123



| | | | | | | | | |
|----------|-----|-----|----------|----|------|------|-----|---|
| EP05Q03L | 30 | 0.5 | Tl=106°C | 8 | 0.45 | 0.2 | 150 | 8 |
| EP05Q04 | 40 | 0.5 | Tl=110°C | 8 | 0.51 | 0.1 | 150 | 8 |
| EP05Q06 | 60 | 0.5 | Tl=96°C | 8 | 0.62 | 0.1 | 150 | 8 |
| EP05H10 | 100 | 0.5 | Tl=118°C | 8 | 0.80 | 0.05 | 150 | 8 |
| EP10LA03 | 30 | 1 | Tl=100°C | 12 | 0.39 | 2 | 125 | 8 |
| EP10QY03 | 30 | 1 | Tl=125°C | 12 | 0.47 | 1 | 150 | 8 |
| EP10HY03 | 30 | 1 | Tl=120°C | 12 | 0.56 | 0.5 | 150 | 8 |
| EP10QY04 | 40 | 1 | Tl=117°C | 12 | 0.57 | 1 | 150 | 8 |

Schottky Barrier Diode

| Part Number | V _{RRM} (V) | I _{FAV} (A) | Condition | I _{FSM} (A) | V _{FM} (V) 25° C | I _{RM} (mA) 25° C | T _{jmax} (° C) | Case Outline |
|-------------|----------------------|----------------------|-----------|----------------------|---------------------------|----------------------------|-------------------------|--------------|
|-------------|----------------------|----------------------|-----------|----------------------|---------------------------|----------------------------|-------------------------|--------------|

SMA



| | | | | | | | | | |
|-----|------------|-----|---|----------|----|------|-----|-----|---|
| | EC10LA03 | 30 | 1 | Ta=88°C | 25 | 0.39 | 2 | 125 | 9 |
| | EC10QS03L | 30 | 1 | Ta=58°C | 20 | 0.45 | 1 | 150 | 9 |
| | EC10QS04 | 40 | 1 | Ta=53°C | 20 | 0.55 | 1 | 150 | 9 |
| | EC10QS06 | 60 | 1 | Ta=30°C | 20 | 0.58 | 1 | 150 | 9 |
| | EC10QS10 | 100 | 1 | Ta=52°C | 20 | 0.85 | 0.5 | 150 | 9 |
| | EC21QS03L | 30 | 2 | Tl=98°C | 50 | 0.47 | 2 | 150 | 9 |
| New | EC20QSA035 | 35 | 2 | Tl=117°C | 40 | 0.49 | 1 | 150 | 9 |
| | EC21QS04 | 40 | 2 | Tl=103°C | 60 | 0.55 | 1 | 150 | 9 |
| | EC20QSA045 | 45 | 2 | Tl=118°C | 50 | 0.55 | 0.2 | 150 | 9 |
| | EC21QS06 | 60 | 2 | Tl=90°C | 40 | 0.61 | 2 | 150 | 9 |
| | EC20QSA065 | 65 | 2 | Tl=114°C | 50 | 0.61 | 0.2 | 150 | 9 |
| | EC21QS10 | 100 | 2 | Tl=106°C | 50 | 0.85 | 1 | 150 | 9 |
| | EC30LA02 | 20 | 3 | Tl=85°C | 50 | 0.39 | 3 | 125 | 9 |
| | EC30LB02 | 20 | 3 | Tl=102°C | 80 | 0.41 | 1 | 125 | 9 |
| | EC31QS03L | 30 | 3 | Tl=76°C | 60 | 0.45 | 3 | 150 | 9 |
| | EC30HA03L | 30 | 3 | Tl=102°C | 60 | 0.54 | 0.5 | 150 | 9 |
| New | EC30QSA035 | 35 | 3 | Tl=103°C | 60 | 0.47 | 2 | 150 | 9 |
| | EC31QS04 | 40 | 3 | Tl=81°C | 60 | 0.55 | 3 | 150 | 9 |
| | EC30QSA045 | 45 | 3 | Tl=102°C | 60 | 0.55 | 0.3 | 150 | 9 |
| | EC30HA04 | 40 | 3 | Tl=96°C | 60 | 0.59 | 0.5 | 150 | 9 |
| | EC31QS06 | 60 | 3 | Tl=64°C | 50 | 0.61 | 3 | 150 | 9 |
| New | EC30QSA065 | 65 | 3 | Tl=92°C | 60 | 0.61 | 0.3 | 150 | 9 |
| | EC31QS10 | 100 | 3 | Tl=84°C | 60 | 0.85 | 2 | 150 | 9 |

NA



| | | | | | | | | | |
|-----|------------|-----|---|----------|-----|------|------|-----|----|
| | NA03QSA035 | 35 | 3 | Tl=124°C | 60 | 0.47 | 2 | 150 | 10 |
| | NA03QSA045 | 45 | 3 | Tl=122°C | 60 | 0.55 | 0.2 | 150 | 10 |
| | NA03QSA065 | 65 | 3 | Tl=117°C | 60 | 0.61 | 0.3 | 150 | 10 |
| New | NA03HSA12 | 120 | 3 | Tl=115°C | 60 | 0.86 | 0.07 | 150 | 10 |
| | NA05QSA035 | 35 | 5 | Tl=108°C | 100 | 0.47 | 3 | 150 | 10 |
| | NA05QSA045 | 45 | 5 | Tl=101°C | 100 | 0.57 | 0.35 | 150 | 10 |
| | NA05QSA065 | 65 | 5 | Tl=92°C | 100 | 0.61 | 0.4 | 150 | 10 |
| New | NA05HSA065 | 65 | 5 | Tl=99°C | 120 | 0.66 | 0.1 | 150 | 10 |
| New | NA05HSA12 | 120 | 5 | Tl=91°C | 100 | 0.86 | 0.1 | 150 | 10 |

NB



| | | | | | | | | | |
|-----|------------|-----|------|----------|-----|------|------|-----|----|
| | NB06QSA035 | 35 | 3A×2 | Tl=122°C | 60 | 0.47 | 2 | 150 | 11 |
| | NB06QSA045 | 45 | 3A×2 | Tl=120°C | 60 | 0.55 | 0.2 | 150 | 11 |
| | NB06QSA065 | 65 | 3A×2 | Tl=115°C | 60 | 0.61 | 0.3 | 150 | 11 |
| New | NB06HSA12 | 120 | 3A×2 | Tl=113°C | 60 | 0.86 | 0.07 | 150 | 11 |
| | NB10QSA035 | 35 | 5A×2 | Tl=105°C | 100 | 0.47 | 3 | 150 | 11 |
| | NB10QSA045 | 45 | 5A×2 | Tl=98°C | 100 | 0.57 | 0.35 | 150 | 11 |
| | NB10QSA065 | 65 | 5A×2 | Tl=88°C | 100 | 0.61 | 0.4 | 150 | 11 |
| New | NB10HSA12 | 120 | 5A×2 | Tl=87°C | 100 | 0.86 | 0.1 | 150 | 11 |

Schottky Barrier Diode

| Part Number | V _{RRM} (V) | I _{FAV} (A) | Condition | I _{FSM} (A) | V _{FM} (V) 25° C | I _{RM} (mA) 25° C | T _{jmax} (° C) | Case Outline |
|-------------|----------------------|----------------------|-----------|----------------------|---------------------------|----------------------------|-------------------------|--------------|
|-------------|----------------------|----------------------|-----------|----------------------|---------------------------|----------------------------|-------------------------|--------------|

Narrow SMC



| | | | | | | | | |
|-----------|-----|---|----------|-----|------|-----|-----|----|
| NSQ03A03L | 30 | 3 | TI=103°C | 100 | 0.45 | 3 | 150 | 12 |
| NSH03A03L | 30 | 3 | TI=123°C | 80 | 0.53 | 0.5 | 150 | 12 |
| NSQ03A04 | 40 | 3 | TI=110°C | 80 | 0.55 | 3 | 150 | 12 |
| NSH03A04 | 40 | 3 | TI=120°C | 80 | 0.58 | 0.5 | 150 | 12 |
| NSQ03A06 | 60 | 3 | TI=96°C | 50 | 0.58 | 3 | 150 | 12 |
| NSH03A10 | 100 | 3 | TI=112°C | 60 | 0.85 | 1 | 150 | 12 |
| NSH03A15 | 150 | 3 | TI=109°C | 60 | 0.90 | 1 | 150 | 12 |
| NSH05A03 | 30 | 5 | TI=106°C | 100 | 0.57 | 1 | 150 | 12 |

TO-251



| | | | | | | | | |
|-----------|-----|------|-----------------------|-----|------|-----|-----|-----|
| EA20QS04 | 40 | 1.7 | T _c =138°C | 40 | 0.55 | 2 | 150 | 13A |
| EA20QS06 | 60 | 1.7 | T _c =135°C | 40 | 0.58 | 2 | 150 | 13A |
| EA20QS10 | 100 | 1.7 | T _c =138°C | 40 | 0.85 | 1 | 150 | 13A |
| ESL03B03 | 30 | 3 | T _c =82°C | 45 | 0.47 | 3 | 100 | 13A |
| EA30QS03L | 30 | 3 | T _c =126°C | 45 | 0.45 | 3 | 150 | 13A |
| EA30QS04 | 40 | 3 | T _c =131°C | 45 | 0.55 | 3 | 150 | 13A |
| EA30QS06 | 60 | 3 | T _c =123°C | 45 | 0.58 | 3 | 150 | 13A |
| EA30QS10 | 100 | 3 | T _c =133°C | 45 | 0.85 | 1 | 150 | 13A |
| ESH05A15 | 150 | 5 | T _c =125°C | 130 | 0.88 | 1 | 150 | 13C |
| EA20QC04 | 40 | 1A×2 | T _c =137°C | 20 | 0.55 | 1 | 150 | 13B |
| EA20QC06 | 60 | 1A×2 | T _c =135°C | 20 | 0.58 | 1 | 150 | 13B |
| EA20QC10 | 100 | 1A×2 | T _c =138°C | 20 | 0.85 | 0.5 | 150 | 13B |
| EA40QC04 | 40 | 2A×2 | T _c =129°C | 40 | 0.55 | 2 | 150 | 13B |
| EA40QC06 | 60 | 2A×2 | T _c =122°C | 40 | 0.60 | 2 | 150 | 13B |
| EA40QC10 | 100 | 2A×2 | T _c =129°C | 40 | 0.85 | 1 | 150 | 13B |
| EA60QC03L | 30 | 3A×2 | T _c =111°C | 45 | 0.45 | 3 | 150 | 13B |
| ECL06B03 | 30 | 3A×2 | T _c =70°C | 45 | 0.47 | 3 | 100 | 13B |
| EA60QC04 | 40 | 3A×2 | T _c =118°C | 45 | 0.55 | 3 | 150 | 13B |
| EA60QC06 | 60 | 3A×2 | T _c =104°C | 45 | 0.58 | 3 | 150 | 13B |
| EA60QC10 | 100 | 3A×2 | T _c =122°C | 45 | 0.85 | 1 | 150 | 13B |
| ECH06A20 | 200 | 3A×2 | T _c =116°C | 60 | 0.9 | 0.2 | 150 | 13B |

Schottky Barrier Diode

| Part Number | V _{RRM} (V) | I _{FAV} (A) | Condition | I _{FSM} (A) | V _{FM} (V) 25° C | I _{RM} (mA) 25° C | T _{jmax} (° C) | Case Outline |
|-------------|----------------------|----------------------|-----------|----------------------|---------------------------|----------------------------|-------------------------|--------------|
|-------------|----------------------|----------------------|-----------|----------------------|---------------------------|----------------------------|-------------------------|--------------|

Dpak (TO-252)



| | | | | | | | | |
|-------------|-----|------|----------|-----|------|-----|-----|-----|
| EA20QS04-F | 40 | 1.7 | Tc=138°C | 40 | 0.55 | 2 | 150 | 14A |
| EA20QS06-F | 60 | 1.7 | Tc=135°C | 40 | 0.58 | 2 | 150 | 14A |
| EA20QS10-F | 100 | 1.7 | Tc=138°C | 40 | 0.85 | 1 | 150 | 14A |
| ESL03B03-F | 30 | 3 | Tc=82°C | 45 | 0.47 | 3 | 100 | 14A |
| EA30QS03L-F | 30 | 3 | Tc=126°C | 45 | 0.45 | 3 | 150 | 14A |
| EA30QS04-F | 40 | 3 | Tc=131°C | 45 | 0.55 | 3 | 150 | 14A |
| EA30QS06-F | 60 | 3 | Tc=123°C | 45 | 0.58 | 3 | 150 | 14A |
| EA30QS10-F | 100 | 3 | Tc=133°C | 45 | 0.85 | 1 | 150 | 14A |
| ESH05A15-F | 150 | 5 | Tc=125°C | 130 | 0.88 | 1 | 150 | 14C |
| EA20QC04-F | 40 | 1A×2 | Tc=137°C | 20 | 0.55 | 1 | 150 | 14B |
| EA20QC06-F | 60 | 1A×2 | Tc=135°C | 20 | 0.58 | 1 | 150 | 14B |
| EA20QC10-F | 100 | 1A×2 | Tc=138°C | 20 | 0.85 | 0.5 | 150 | 14B |
| EA40QC04-F | 40 | 2A×2 | Tc=129°C | 40 | 0.55 | 2 | 150 | 14B |
| EA40QC06-F | 60 | 2A×2 | Tc=122°C | 40 | 0.60 | 2 | 150 | 14B |
| EA40QC10-F | 100 | 2A×2 | Tc=129°C | 40 | 0.85 | 1 | 150 | 14B |
| ECL06B03-F | 30 | 3A×2 | Tc=70°C | 45 | 0.47 | 3 | 100 | 14B |
| EA60QC03L-F | 30 | 3A×2 | Tc=111°C | 45 | 0.45 | 3 | 125 | 14B |
| EA60QC04-F | 40 | 3A×2 | Tc=118°C | 45 | 0.55 | 3 | 150 | 14B |
| EA60QC06-F | 60 | 3A×2 | Tc=104°C | 45 | 0.58 | 3 | 150 | 14B |
| EA60QC10-F | 100 | 3A×2 | Tc=122°C | 45 | 0.85 | 1 | 150 | 14B |
| ECH06A20-F | 200 | 3A×2 | Tc=116°C | 60 | 0.90 | 0.2 | 150 | 14B |
| ECQ10A03L-F | 30 | 5A×2 | Tc=106°C | 100 | 0.47 | 5 | 150 | 14B |
| ECQ10A04-F | 40 | 5A×2 | Tc=105°C | 100 | 0.55 | 3 | 150 | 14B |

Schottky Barrier Diode

| Part Number | V _{RRM} (V) | I _{FAV} (A) | Condition | I _{FSM} (A) | V _{FM} (V) 25° C | I _{RM} (mA) 25° C | T _{jmax} (° C) | Case Outline |
|-------------|----------------------|----------------------|-----------|----------------------|---------------------------|----------------------------|-------------------------|--------------|
|-------------|----------------------|----------------------|-----------|----------------------|---------------------------|----------------------------|-------------------------|--------------|

TO-220-2pin



| | | | | | | | | |
|-----------|-----|----|----------|-----|------|----|-----|----|
| GSQ05A03L | 30 | 5 | Tc=122°C | 120 | 0.47 | 5 | 150 | 15 |
| GSQ05A04 | 40 | 5 | Tc=122°C | 120 | 0.55 | 5 | 150 | 15 |
| GSQ05A06 | 60 | 5 | Tc=115°C | 110 | 0.58 | 5 | 150 | 15 |
| GSH05A09 | 90 | 5 | Tc=127°C | 120 | 0.85 | 1 | 150 | 15 |
| GSH05A10 | 100 | 5 | Tc=126°C | 120 | 0.85 | 1 | 150 | 15 |
| GSQ10A04 | 40 | 10 | Tc=119°C | 180 | 0.59 | 10 | 150 | 15 |
| GSQ10A06 | 60 | 10 | Tc=111°C | 150 | 0.67 | 10 | 150 | 15 |
| GSH10A09 | 90 | 10 | Tc=121°C | 180 | 0.88 | 1 | 150 | 15 |
| GSH10A10 | 100 | 10 | Tc=120°C | 180 | 0.88 | 1 | 150 | 15 |

TO-220



| | | | | | | | | |
|------------|-----|-------|----------|-----|------|------|-----|-----|
| GSQ05A03LB | 30 | 5 | Tc=122°C | 120 | 0.47 | 5 | 150 | 16B |
| GSQ05A04B | 40 | 5 | Tc=122°C | 120 | 0.55 | 5 | 150 | 16B |
| GSQ05A06B | 60 | 5 | Tc=115°C | 110 | 0.58 | 5 | 150 | 16B |
| GSH05A10B | 100 | 5 | Tc=126°C | 120 | 0.85 | 1 | 150 | 16B |
| GSQ10A04B | 40 | 10 | Tc=119°C | 180 | 0.59 | 10 | 150 | 16B |
| GSQ10A06B | 60 | 10 | Tc=111°C | 150 | 0.67 | 10 | 150 | 16B |
| GSH10A10B | 100 | 10 | Tc=120°C | 180 | 0.88 | 1 | 150 | 16B |
| GCQ10A04 | 40 | 5A×2 | Tc=116°C | 120 | 0.55 | 5 | 150 | 16A |
| GCQ10A06 | 60 | 5A×2 | Tc=108°C | 110 | 0.58 | 5 | 150 | 16A |
| GCH10A10 | 100 | 5A×2 | Tc=121°C | 120 | 0.85 | 1 | 150 | 16A |
| GCQ20A03L | 30 | 10A×2 | Tc=119°C | 180 | 0.49 | 10 | 150 | 16A |
| GCQ20A04 | 40 | 10A×2 | Tc=119°C | 180 | 0.55 | 10 | 150 | 16A |
| GCQ20A06 | 60 | 10A×2 | Tc=111°C | 150 | 0.65 | 10 | 150 | 16A |
| GCHS20A08 | 80 | 10A×2 | Tc=116°C | 180 | 0.75 | 0.15 | 150 | 16A |
| GCH20A10 | 100 | 10A×2 | Tc=120°C | 180 | 0.88 | 1 | 150 | 16A |
| GCQ30A03L | 30 | 15A×2 | Tc=105°C | 250 | 0.49 | 15 | 150 | 16A |
| GCQ30A04 | 40 | 15A×2 | Tc=104°C | 250 | 0.55 | 15 | 150 | 16A |
| GCQ30A06 | 60 | 15A×2 | Tc=94°C | 200 | 0.65 | 15 | 150 | 16A |
| GCHS30A08 | 80 | 15A×2 | Tc=109°C | 200 | 0.75 | 0.2 | 150 | 16A |
| GCH30A10 | 100 | 15A×2 | Tc=105°C | 250 | 0.88 | 2 | 150 | 16A |

Schottky Barrier Diode

| Part Number | V _{RRM} (V) | I _{FAV} (A) | Condition | I _{FSM} (A) | V _{FM} (V) 25° C | I _{RM} (mA) 25° C | T _{jmax} (° C) | Case Outline |
|-------------|----------------------|----------------------|-----------|----------------------|---------------------------|----------------------------|-------------------------|--------------|
|-------------|----------------------|----------------------|-----------|----------------------|---------------------------|----------------------------|-------------------------|--------------|

TO-220F-2pin



| | | | | | | | | |
|-----------|-----|----|-----------------------|-----|------|-----|-----|----|
| FSH04A03L | 30 | 4 | T _c =132°C | 100 | 0.56 | 1 | 150 | 17 |
| FSH04A04 | 40 | 4 | T _c =131°C | 100 | 0.61 | 1 | 150 | 17 |
| FSH04A06 | 60 | 4 | T _c =129°C | 100 | 0.69 | 1 | 150 | 17 |
| FSHS04A08 | 80 | 4 | T _c =128°C | 100 | 0.77 | 0.1 | 150 | 17 |
| FSH04A10 | 100 | 4 | T _c =126°C | 100 | 0.88 | 1 | 150 | 17 |
| FSL05A015 | 15 | 5 | T _c =103°C | 130 | 0.38 | 5 | 125 | 17 |
| FSQ05A03L | 30 | 5 | T _c =122°C | 120 | 0.47 | 5 | 150 | 17 |
| FSH05A03L | 30 | 5 | T _c =132°C | 120 | 0.57 | 1 | 150 | 17 |
| FSQ05A04 | 40 | 5 | T _c =122°C | 120 | 0.55 | 5 | 150 | 17 |
| FSH05A04 | 40 | 5 | T _c =131°C | 120 | 0.61 | 1 | 150 | 17 |
| FSQ05A06 | 60 | 5 | T _c =115°C | 110 | 0.58 | 5 | 150 | 17 |
| FSQ05U06 | 60 | 5 | T _c =115°C | 110 | 0.58 | 5 | 150 | 18 |
| FSH05A06 | 60 | 5 | T _c =129°C | 120 | 0.66 | 1 | 150 | 17 |
| FSH05A10 | 100 | 5 | T _c =126°C | 120 | 0.85 | 1 | 150 | 17 |
| FSH05A15 | 150 | 5 | T _c =125°C | 130 | 0.88 | 1 | 150 | 17 |
| FSH10A03L | 30 | 10 | T _c =128°C | 180 | 0.54 | 1 | 150 | 17 |
| FSQ10A04 | 40 | 10 | T _c =119°C | 180 | 0.59 | 10 | 150 | 17 |
| FSQ10U04 | 40 | 10 | T _c =119°C | 180 | 0.59 | 10 | 150 | 18 |
| FSH10A04 | 40 | 10 | T _c =127°C | 180 | 0.61 | 1 | 150 | 17 |
| FSH10U04 | 40 | 10 | T _c =127°C | 180 | 0.61 | 1 | 150 | 18 |
| FSQ10A06 | 60 | 10 | T _c =111°C | 150 | 0.67 | 10 | 150 | 17 |
| FSQ10U06 | 60 | 10 | T _c =111°C | 150 | 0.67 | 10 | 150 | 18 |
| FSH10A06 | 60 | 10 | T _c =124°C | 180 | 0.68 | 1 | 150 | 17 |
| FSH10A10 | 100 | 10 | T _c =120°C | 180 | 0.88 | 1 | 150 | 17 |
| FSH10U10 | 100 | 10 | T _c =120°C | 180 | 0.88 | 1 | 150 | 18 |
| FSH10A15 | 150 | 10 | T _c =120°C | 180 | 0.90 | 1 | 150 | 17 |

Schottky Barrier Diode

| Part Number | V _{RRM} (V) | I _{FAV} (A) | Condition | I _{FSM} (A) | V _{FM} (V) 25° C | I _{RM} (mA) 25° C | T _{jmax} (° C) | Case Outline |
|-------------|----------------------|----------------------|-----------|----------------------|---------------------------|----------------------------|-------------------------|--------------|
|-------------|----------------------|----------------------|-----------|----------------------|---------------------------|----------------------------|-------------------------|--------------|

TO-220F



| | | | | | | | | |
|------------|-----|--------|----------|-----|------|-----|-----|-----|
| FSH04A03LB | 30 | 4 | Tc=132°C | 100 | 0.56 | 1 | 150 | 19B |
| FSH04A04B | 40 | 4 | Tc=131°C | 100 | 0.61 | 1 | 150 | 19B |
| FSH04A06B | 60 | 4 | Tc=129°C | 100 | 0.69 | 1 | 150 | 19B |
| FSH04A10B | 100 | 4 | Tc=126°C | 100 | 0.88 | 1 | 150 | 19B |
| FSQ05A03LB | 30 | 5 | Tc=122°C | 120 | 0.47 | 5 | 150 | 19B |
| FSH05A03LB | 30 | 5 | Tc=132°C | 120 | 0.57 | 1 | 150 | 19B |
| FSQ05A04B | 40 | 5 | Tc=122°C | 120 | 0.55 | 5 | 150 | 19B |
| FSH05A04B | 40 | 5 | Tc=131°C | 120 | 0.61 | 1 | 150 | 19B |
| FSQ05A06B | 60 | 5 | Tc=115°C | 110 | 0.58 | 5 | 150 | 19B |
| FSH05A06B | 60 | 5 | Tc=129°C | 120 | 0.66 | 1 | 150 | 19B |
| FSH05A10B | 100 | 5 | Tc=126°C | 120 | 0.85 | 1 | 150 | 19B |
| FSH05A20B | 200 | 5 | Tc=123°C | 100 | 0.90 | 0.2 | 150 | 19B |
| FSH10A03LB | 30 | 10 | Tc=128°C | 180 | 0.54 | 1 | 150 | 19B |
| FSQ10A04B | 40 | 10 | Tc=119°C | 180 | 0.59 | 10 | 150 | 19B |
| FSH10A04B | 40 | 10 | Tc=127°C | 180 | 0.61 | 1 | 150 | 19B |
| FSQ10A06B | 60 | 10 | Tc=111°C | 150 | 0.67 | 10 | 150 | 19B |
| FSH10A06B | 60 | 10 | Tc=124°C | 180 | 0.68 | 1 | 150 | 19B |
| FSH10A10B | 100 | 10 | Tc=120°C | 180 | 0.88 | 1 | 150 | 19B |
| FSH10A20B | 200 | 10 | Tc=108°C | 120 | 0.90 | 0.2 | 150 | 19B |
| FCH05A10 | 100 | 2.5×2 | Tc=127°C | 100 | 0.87 | 1 | 150 | 19A |
| FCQ06A04 | 40 | 3A×2 | Tc=118°C | 80 | 0.55 | 2 | 150 | 19A |
| FCQ06A06 | 60 | 3A×2 | Tc=104°C | 80 | 0.62 | 2 | 150 | 19A |
| FCQ06U06 | 60 | 3A×2 | Tc=104°C | 80 | 0.62 | 2 | 150 | 20A |
| FCH06A10 | 100 | 3A×2 | Tc=121°C | 80 | 0.85 | 1 | 150 | 19A |
| FCQ08A03L | 30 | 4A×2 | Tc=123°C | 100 | 0.49 | 3 | 150 | 19A |
| FCH08A03L | 30 | 4A×2 | Tc=133°C | 100 | 0.56 | 1 | 150 | 19A |
| FCQ08A04 | 40 | 4A×2 | Tc=126°C | 100 | 0.55 | 3 | 150 | 19A |
| FCH08A04 | 40 | 4A×2 | Tc=131°C | 100 | 0.61 | 1 | 150 | 19A |
| FCQ08A06 | 60 | 4A×2 | Tc=117°C | 75 | 0.65 | 3 | 150 | 19A |
| FCQ08U06 | 60 | 4A×2 | Tc=117°C | 75 | 0.65 | 3 | 150 | 20A |
| FCH08A06 | 60 | 4A×2 | Tc=130°C | 100 | 0.69 | 1 | 150 | 19A |
| FCHS08A08 | 80 | 4A×2 | Tc=129°C | 100 | 0.77 | 0.1 | 150 | 19A |
| FCH08A10 | 100 | 4A×2 | Tc=127°C | 100 | 0.88 | 1 | 150 | 19A |
| FCH08U10 | 100 | 4A×2 | Tc=127°C | 100 | 0.88 | 1 | 150 | 20A |
| FCH08A15 | 150 | 4A×2 | Tc=127°C | 125 | 0.90 | 1 | 150 | 19A |
| FRH08A15 | 150 | 4A×2 R | Tc=127°C | 125 | 0.90 | 1 | 150 | 19C |

FRH: Anode Common

Continued on the following page.

Schottky Barrier Diode

| Part Number | V _{RRM} (V) | I _{FAV} (A) | Condition | I _{FSM} (A) | V _{FM} (V) 25° C | I _{RM} (mA) 25° C | T _{jmax} (° C) | Case Outline |
|-------------|----------------------|----------------------|-----------|----------------------|---------------------------|----------------------------|-------------------------|--------------|
|-------------|----------------------|----------------------|-----------|----------------------|---------------------------|----------------------------|-------------------------|--------------|

TO-220F

Continued from the preceding page



New

| | | | | | | | | |
|------------|-----|--------|----------|-----|------|------|-----|-----|
| FCL10A015 | 15 | 5A×2 | Tc=99°C | 130 | 0.38 | 5 | 125 | 19A |
| FCQ10A03L | 30 | 5A×2 | Tc=116°C | 120 | 0.47 | 5 | 150 | 19A |
| FRQ10A03L | 30 | 5A×2 R | Tc=116°C | 120 | 0.47 | 5 | 150 | 19C |
| FCH10A03L | 30 | 5A×2 | Tc=129°C | 120 | 0.57 | 1 | 150 | 19A |
| FCQ10A04 | 40 | 5A×2 | Tc=116°C | 120 | 0.55 | 5 | 150 | 19A |
| FCQ10U04 | 40 | 5A×2 | Tc=116°C | 120 | 0.55 | 5 | 150 | 20A |
| FRQ10A04 | 40 | 5A×2 R | Tc=116°C | 120 | 0.55 | 5 | 150 | 19C |
| FCH10A04 | 40 | 5A×2 | Tc=128°C | 120 | 0.61 | 1 | 150 | 19A |
| FRH10A04 | 40 | 5A×2 R | Tc=128°C | 120 | 0.61 | 1 | 150 | 19C |
| FCQS10A045 | 45 | 5A×2 | Tc=128°C | 120 | 0.57 | 0.35 | 150 | 19A |
| FCHS10A045 | 45 | 5A×2 | Tc=129°C | 120 | 0.59 | 0.1 | 150 | 19A |
| FCQ10A06 | 60 | 5A×2 | Tc=108°C | 110 | 0.58 | 5 | 150 | 19A |
| FCQ10U06 | 60 | 5A×2 | Tc=108°C | 110 | 0.58 | 5 | 150 | 20A |
| FRQ10A06 | 60 | 5A×2 R | Tc=108°C | 110 | 0.58 | 5 | 150 | 19C |
| FCH10A06 | 60 | 5A×2 | Tc=125°C | 120 | 0.66 | 1 | 150 | 19A |
| FCH10U06 | 60 | 5A×2 | Tc=108°C | 120 | 0.66 | 1 | 150 | 20A |
| FCQS10A065 | 65 | 5A×2 | Tc=124°C | 120 | 0.61 | 0.4 | 150 | 19A |
| FCHS10A065 | 65 | 5A×2 | Tc=127°C | 120 | 0.66 | 0.1 | 150 | 19A |
| FCHS10A08 | 80 | 5A×2 | Tc=125°C | 120 | 0.72 | 0.1 | 150 | 19A |
| FCH10A10 | 100 | 5A×2 | Tc=121°C | 120 | 0.85 | 1 | 150 | 19A |
| FCH10U10 | 100 | 5A×2 | Tc=121°C | 120 | 0.85 | 1 | 150 | 20A |
| FRH10A10 | 100 | 5A×2 R | Tc=122°C | 120 | 0.85 | 1 | 150 | 19C |
| FCHS10A12 | 120 | 5A×2 | Tc=124°C | 120 | 0.86 | 0.1 | 150 | 19A |
| FCH10A15 | 150 | 5A×2 | Tc=121°C | 130 | 0.88 | 1 | 150 | 19A |
| FCH10U15 | 150 | 5A×2 | Tc=121°C | 130 | 0.88 | 1 | 150 | 20A |
| FRH10A15 | 150 | 5A×2 R | Tc=121°C | 130 | 0.88 | 1 | 150 | 19C |
| FCH10A20 | 200 | 5A×2 | Tc=118°C | 100 | 0.90 | 0.2 | 150 | 19A |
| FCH10U20 | 200 | 5A×2 | Tc=118°C | 100 | 0.90 | 0.2 | 150 | 20A |
| FRH10A20 | 200 | 5A×2 R | Tc=118°C | 100 | 0.90 | 0.2 | 150 | 19C |

FRQ/FRH: Anode Common

Continued on the following page.

Schottky Barrier Diode

| Part Number | V _{RRM} (V) | I _{FAV} (A) | Condition | I _{FSM} (A) | V _{FM} (V) 25° C | I _{RM} (mA) 25° C | T _{jmax} (° C) | Case Outline |
|-------------|----------------------|----------------------|-----------|----------------------|---------------------------|----------------------------|-------------------------|--------------|
|-------------|----------------------|----------------------|-----------|----------------------|---------------------------|----------------------------|-------------------------|--------------|

TO-220F

Continued from the preceding page



| | | | | | | | | |
|----------------|-----|---------|----------|-----|------|------|-----|-----|
| FCL20A015 | 15 | 10A×2 | Tc=96°C | 180 | 0.40 | 10 | 125 | 19A |
| FCQ20A03L | 30 | 10A×2 | Tc=119°C | 180 | 0.49 | 10 | 150 | 19A |
| FCQ20C03 | 30 | 10A×2 | Tc=104°C | 180 | 0.51 | 10 | 150 | 19A |
| FCH20A03L | 30 | 10A×2 | Tc=128°C | 180 | 0.54 | 1 | 150 | 19A |
| FCH20B03 | 30 | 10A×2 | Tc=115°C | 180 | 0.57 | 1 | 150 | 19A |
| FCQ20A04 | 40 | 10A×2 | Tc=119°C | 180 | 0.55 | 10 | 150 | 19A |
| FCQ20B04 | 40 | 10A×2 | Tc=104°C | 180 | 0.60 | 10 | 150 | 19A |
| FCH20A04 | 40 | 10A×2 | Tc=127°C | 180 | 0.61 | 1 | 150 | 19A |
| FCH20B04 | 40 | 10A×2 | Tc=113°C | 180 | 0.65 | 1 | 150 | 19A |
| FCQ20U04 | 40 | 10A×2 | Tc=119°C | 180 | 0.55 | 10 | 150 | 20A |
| FCQS20A045 | 45 | 10A×2 | Tc=121°C | 180 | 0.57 | 0.6 | 150 | 19A |
| FRQS20A045 | 45 | 10A×2 R | Tc=121°C | 180 | 0.57 | 0.6 | 150 | 19C |
| FCQS20B045 | 45 | 10A×2 | Tc=121°C | 180 | 0.57 | 0.6 | 150 | 19A |
| FCQ20A06 | 60 | 10A×2 | Tc=111°C | 150 | 0.65 | 10 | 150 | 19A |
| FCQ20U06 | 60 | 10A×2 | Tc=111°C | 150 | 0.65 | 10 | 150 | 20A |
| FRQ20U06 | 60 | 10A×2 R | Tc=111°C | 150 | 0.65 | 10 | 150 | 20C |
| FCQ20UB06 | 60 | 10A×2 | Tc=88°C | 150 | 0.69 | 10 | 150 | 20A |
| FCH20A06 | 60 | 10A×2 | Tc=124°C | 180 | 0.68 | 1 | 150 | 19A |
| FCH20B06 | 60 | 10A×2 | Tc=110°C | 180 | 0.73 | 1 | 150 | 19A |
| FCQS20A065 | 65 | 10A×2 | Tc=115°C | 180 | 0.63 | 1 | 150 | 19A |
| FRQS20A065 | 65 | 10A×2 R | Tc=115°C | 180 | 0.63 | 1 | 150 | 19C |
| FCQS20B065 | 65 | 10A×2 | Tc=115°C | 180 | 0.63 | 1 | 150 | 19A |
| New FCHS20A065 | 65 | 10A×2 | Tc=117°C | 180 | 0.68 | 0.15 | 150 | 19A |
| FCHS20A08 | 80 | 10A×2 | Tc=116°C | 180 | 0.75 | 0.15 | 150 | 19A |
| FCHS20U08 | 80 | 10A×2 | Tc=116°C | 180 | 0.75 | 0.15 | 150 | 20A |
| FCH20A10 | 100 | 10A×2 | Tc=120°C | 180 | 0.88 | 1 | 150 | 19A |
| FCH20U10 | 100 | 10A×2 | Tc=120°C | 180 | 0.88 | 1 | 150 | 20A |
| FRH20A10 | 100 | 10A×2 R | Tc=120°C | 180 | 0.88 | 1 | 150 | 19C |
| FCH20B10 | 100 | 10A×2 | Tc=105°C | 180 | 0.91 | 1 | 150 | 19A |
| FCH20UB10 | 100 | 10A×2 | Tc=105°C | 180 | 0.91 | 1 | 150 | 20A |
| FCHS20A12 | 120 | 10A×2 | Tc=112°C | 180 | 0.89 | 0.1 | 150 | 19A |
| FCH20A15 | 150 | 10A×2 | Tc=121°C | 180 | 0.90 | 1 | 150 | 19A |
| FCH20U15 | 150 | 10A×2 | Tc=121°C | 180 | 0.90 | 1 | 150 | 20A |
| FRH20A15 | 150 | 10A×2 R | Tc=120°C | 180 | 0.90 | 1 | 150 | 19C |
| FCH20A20 | 200 | 10A×2 | Tc=118°C | 120 | 0.90 | 0.2 | 150 | 19A |
| FCH20U20 | 200 | 10A×2 | Tc=118°C | 120 | 0.90 | 0.2 | 150 | 20A |
| FRH20A20 | 200 | 10A×2 R | Tc=118°C | 180 | 0.90 | 0.2 | 150 | 19C |

FRQ/FRH: Anode Common

Continued on the following page.

Schottky Barrier Diode

| Part Number | V _{RRM} (V) | I _{FAV} (A) | Condition | I _{FSM} (A) | V _{FM} (V) 25° C | I _{RM} (mA) 25° C | T _{jmax} (° C) | Case Outline |
|-------------|----------------------|----------------------|-----------|----------------------|---------------------------|----------------------------|-------------------------|--------------|
|-------------|----------------------|----------------------|-----------|----------------------|---------------------------|----------------------------|-------------------------|--------------|

TO-220F

Continued from the preceding page



New

| | | | | | | | | |
|------------|-----|-------|-----------------------|-----|------|-----|-----|-----|
| FCL30A015 | 15 | 15A×2 | T _c =78°C | 250 | 0.42 | 15 | 125 | 19A |
| FCQ30A03L | 30 | 15A×2 | T _c =105°C | 250 | 0.49 | 15 | 150 | 19A |
| FCH30A03L | 30 | 15A×2 | T _c =114°C | 250 | 0.56 | 1 | 150 | 19A |
| FCH30B03L | 30 | 15A×2 | T _c =114°C | 150 | 0.59 | 1 | 150 | 19A |
| FCQ30A04 | 40 | 15A×2 | T _c =104°C | 250 | 0.55 | 15 | 150 | 19A |
| FCQ30U04 | 40 | 15A×2 | T _c =104°C | 250 | 0.55 | 15 | 150 | 20A |
| FCH30A04 | 40 | 15A×2 | T _c =114°C | 250 | 0.61 | 1 | 150 | 19A |
| FCQS30A045 | 45 | 15A×2 | T _c =116°C | 200 | 0.55 | 1 | 150 | 19A |
| FCQ30A06 | 60 | 15A×2 | T _c =94°C | 200 | 0.65 | 15 | 150 | 19A |
| FCQ30U06 | 60 | 15A×2 | T _c =94°C | 200 | 0.65 | 15 | 150 | 20A |
| FCQ30B06 | 60 | 15A×2 | T _c =97°C | 150 | 0.69 | 10 | 150 | 19A |
| FCH30A06 | 60 | 15A×2 | T _c =108°C | 200 | 0.69 | 1 | 150 | 19A |
| FCH30U06 | 60 | 15A×2 | T _c =108°C | 200 | 0.69 | 1 | 150 | 20A |
| FCQS30A065 | 65 | 15A×2 | T _c =110°C | 200 | 0.64 | 1.5 | 150 | 19A |
| FCQS30B065 | 65 | 15A×2 | T _c =110°C | 200 | 0.64 | 1.5 | 150 | 19A |
| FCQS30U065 | 65 | 15A×2 | T _c =110°C | 200 | 0.64 | 1.5 | 150 | 20A |
| FCHS30A08 | 80 | 15A×2 | T _c =109°C | 200 | 0.75 | 0.2 | 150 | 19A |
| FCH30A10 | 100 | 15A×2 | T _c =105°C | 250 | 0.88 | 2 | 150 | 19A |
| FCH30U10 | 100 | 15A×2 | T _c =106°C | 250 | 0.88 | 2 | 150 | 20A |
| FCH30B10 | 100 | 15A×2 | T _c =97°C | 150 | 0.96 | 1 | 150 | 19A |
| FCHS30A12 | 120 | 15A×2 | T _c =107°C | 200 | 0.90 | 0.1 | 150 | 19A |
| FCH30A15 | 150 | 15A×2 | T _c =103°C | 250 | 0.91 | 2 | 150 | 19A |
| FCH30U15 | 150 | 15A×2 | T _c =103°C | 250 | 0.91 | 2 | 150 | 20A |

Schottky Barrier Diode

| Part Number | V _{RRM} (V) | I _{FAV} (A) | Condition | I _{FSM} (A) | V _{FM} (V) 25° C | I _{RM} (mA) 25° C | T _{jmax} (° C) | Case Outline |
|-------------|----------------------|----------------------|-----------|----------------------|---------------------------|----------------------------|-------------------------|--------------|
|-------------|----------------------|----------------------|-----------|----------------------|---------------------------|----------------------------|-------------------------|--------------|

TO-262



| | | | | | | | | |
|---------------|-----|-------|----------|-----|------|----|-----|----|
| C10T03QL-11A | 30 | 5A×2 | Tc=116°C | 120 | 0.47 | 5 | 150 | 21 |
| C10T03QLH-11A | 30 | 5A×2 | Tc=129°C | 120 | 0.57 | 1 | 150 | 21 |
| TCQ10A04-11A | 40 | 5A×2 | Tc=116°C | 120 | 0.55 | 5 | 150 | 21 |
| TCQ10A06-11A | 60 | 5A×2 | Tc=108°C | 110 | 0.58 | 5 | 150 | 21 |
| C10T06QH-11A | 60 | 5A×2 | Tc=125°C | 120 | 0.66 | 1 | 150 | 21 |
| C10T10Q-11A | 100 | 5A×2 | Tc=121°C | 120 | 0.85 | 1 | 150 | 21 |
| TCH10A15-11A | 150 | 5A×2 | Tc=121°C | 130 | 0.88 | 1 | 150 | 21 |
| C20T03QL-11A | 30 | 10A×2 | Tc=119°C | 180 | 0.49 | 10 | 150 | 21 |
| C20T03QLH-11A | 30 | 10A×2 | Tc=128°C | 180 | 0.54 | 1 | 150 | 21 |
| C20T04Q-11A | 40 | 10A×2 | Tc=119°C | 180 | 0.55 | 10 | 150 | 21 |
| C20T04QH-11A | 40 | 10A×2 | Tc=127°C | 180 | 0.61 | 1 | 150 | 21 |
| C20T06Q-11A | 60 | 10A×2 | Tc=111°C | 150 | 0.65 | 10 | 150 | 21 |
| C20T06QH-11A | 60 | 10A×2 | Tc=124°C | 180 | 0.68 | 1 | 150 | 21 |
| C20T10Q-11A | 100 | 10A×2 | Tc=120°C | 180 | 0.88 | 1 | 150 | 21 |
| TCH20A15-11A | 150 | 10A×2 | Tc=121°C | 180 | 0.90 | 1 | 150 | 21 |
| C30T03QL-11A | 30 | 15A×2 | Tc=105°C | 250 | 0.49 | 15 | 150 | 21 |
| C30T03QLH-11A | 30 | 15A×2 | Tc=114°C | 250 | 0.56 | 1 | 150 | 21 |
| C30T04Q-11A | 40 | 15A×2 | Tc=104°C | 250 | 0.55 | 15 | 150 | 21 |
| C30T04QH-11A | 40 | 15A×2 | Tc=114°C | 250 | 0.61 | 1 | 150 | 21 |
| C30T06Q-11A | 60 | 15A×2 | Tc=94°C | 200 | 0.65 | 15 | 150 | 21 |
| C30T06QH-11A | 60 | 15A×2 | Tc=108°C | 200 | 0.69 | 1 | 150 | 21 |
| C30T10Q-11A | 100 | 15A×2 | Tc=105°C | 250 | 0.88 | 2 | 150 | 21 |
| TCH30B10-11A | 100 | 15A×2 | Tc=97°C | 150 | 0.96 | 1 | 150 | 21 |
| TCH30C10-11A | 100 | 15A×2 | Tc=105°C | 250 | 0.88 | 2 | 150 | 21 |
| TCH30A15-11A | 150 | 15A×2 | Tc=103°C | 250 | 0.91 | 2 | 150 | 21 |

TO-263LP



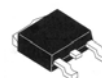
New

| | | | | | | | | |
|------------|----|-------|----------|-----|------|---|-----|----|
| UCQ10A03 | 30 | 5A×2 | Tc=133°C | 120 | 0.46 | 1 | 150 | 24 |
| UCQ20B03 | 30 | 10A×2 | Tc=115°C | 180 | 0.51 | 2 | 150 | 24 |
| UCQS30A045 | 45 | 15A×2 | Tc=113°C | 250 | 0.55 | 1 | 150 | 24 |

Schottky Barrier Diode

| Part Number | V _{RRM} (V) | I _{FAV} (A) | Condition | I _{FSM} (A) | V _{FM} (V) 25° C | I _{RM} (mA) 25° C | T _{jmax} (° C) | Case Outline |
|-------------|----------------------|----------------------|-----------|----------------------|---------------------------|----------------------------|-------------------------|--------------|
|-------------|----------------------|----------------------|-----------|----------------------|---------------------------|----------------------------|-------------------------|--------------|

TO-263



| | | | | | | | | |
|-----------|-----|-------|----------|-----|------|-----|-----|-----|
| C10T03QL | 30 | 5A×2 | Tc=116°C | 120 | 0.47 | 5 | 150 | 23A |
| C10T03QLH | 30 | 5A×2 | Tc=129°C | 120 | 0.57 | 1 | 150 | 23A |
| TCQ10A04 | 40 | 5A×2 | Tc=116°C | 120 | 0.55 | 5 | 150 | 23A |
| TCQ10A06 | 60 | 5A×2 | Tc=108°C | 110 | 0.58 | 5 | 150 | 23A |
| C10T06QH | 60 | 5A×2 | Tc=125°C | 120 | 0.66 | 1 | 150 | 23A |
| C10T10Q | 100 | 5A×2 | Tc=121°C | 120 | 0.85 | 1 | 150 | 23A |
| TCH10A15 | 150 | 5A×2 | Tc=121°C | 130 | 0.88 | 1 | 150 | 23A |
| | | | | | | | | |
| C20T03QL | 30 | 10A×2 | Tc=119°C | 180 | 0.49 | 10 | 150 | 23A |
| C20T03QLH | 30 | 10A×2 | Tc=128°C | 180 | 0.54 | 1 | 150 | 23A |
| C20T04Q | 40 | 10A×2 | Tc=119°C | 180 | 0.55 | 10 | 150 | 23A |
| TCQ20B04 | 40 | 10A×2 | Tc=104°C | 180 | 0.60 | 10 | 150 | 23A |
| C20T04QH | 40 | 10A×2 | Tc=127°C | 180 | 0.61 | 1 | 150 | 23A |
| C20T06Q | 60 | 10A×2 | Tc=111°C | 150 | 0.65 | 10 | 150 | 23A |
| C20T06QH | 60 | 10A×2 | Tc=124°C | 180 | 0.68 | 1 | 150 | 23A |
| C20T10Q | 100 | 10A×2 | Tc=120°C | 180 | 0.88 | 1 | 150 | 23A |
| TCH20A15 | 150 | 10A×2 | Tc=121°C | 180 | 0.90 | 1 | 150 | 23A |
| TCH20A20 | 200 | 10A×2 | Tc=118°C | 120 | 0.90 | 0.2 | 150 | 23A |
| | | | | | | | | |
| C30T03QL | 30 | 15A×2 | Tc=105°C | 250 | 0.49 | 15 | 150 | 23A |
| C30T03QLH | 30 | 15A×2 | Tc=114°C | 250 | 0.56 | 1 | 150 | 23A |
| C30T04Q | 40 | 15A×2 | Tc=104°C | 250 | 0.55 | 15 | 150 | 23A |
| TCQ30B04 | 40 | 15A×2 | Tc=100°C | 150 | 0.61 | 10 | 150 | 23A |
| C30T04QH | 40 | 15A×2 | Tc=114°C | 250 | 0.61 | 1 | 150 | 23A |
| C30T06Q | 60 | 15A×2 | Tc=94°C | 200 | 0.65 | 15 | 150 | 23A |
| C30T06QH | 60 | 15A×2 | Tc=108°C | 200 | 0.69 | 1 | 150 | 23A |
| TCH30B10 | 100 | 15A×2 | Tc=97°C | 150 | 0.96 | 1 | 150 | 23A |
| TCH30C10 | 100 | 15A×2 | Tc=105°C | 250 | 0.88 | 2 | 150 | 23A |
| TCH30A15 | 150 | 15A×2 | Tc=103°C | 250 | 0.91 | 2 | 150 | 23A |

TO-247-2pin



| | | | | | | | | |
|-----------|-----|----|----------|-----|------|-----|-----|----|
| KSQ15A04 | 40 | 15 | Tc=120°C | 250 | 0.55 | 15 | 150 | 25 |
| KSQ15A06 | 60 | 15 | Tc=114°C | 200 | 0.65 | 15 | 150 | 25 |
| KSH15A10 | 100 | 15 | Tc=120°C | 250 | 0.88 | 2 | 150 | 25 |
| | | | | | | | | |
| KSQ30A03L | 30 | 30 | Tc=108°C | 400 | 0.50 | 25 | 150 | 25 |
| KSQ30A04 | 40 | 30 | Tc=107°C | 400 | 0.58 | 25 | 150 | 25 |
| KSQ30A06 | 60 | 30 | Tc=98°C | 400 | 0.67 | 25 | 150 | 25 |
| KSH30A20 | 200 | 30 | Tc=104°C | 300 | 0.95 | 0.5 | 150 | 25 |

Schottky Barrier Diode

| Part Number | V _{RRM} (V) | I _{FAV} (A) | Condition | I _{FSM} (A) | V _{FM} (V) 25° C | I _{RM} (mA) 25° C | T _{jmax} (° C) | Case Outline |
|-------------|----------------------|----------------------|-----------|----------------------|---------------------------|----------------------------|-------------------------|--------------|
|-------------|----------------------|----------------------|-----------|----------------------|---------------------------|----------------------------|-------------------------|--------------|

TO-247



| | | | | | | | | |
|------------|-----|-------|----------|-----|------|-----|-----|-----|
| KSQ15A04B | 40 | 15 | Tc=120°C | 250 | 0.55 | 15 | 150 | 26B |
| KSQ15A06B | 60 | 15 | Tc=114°C | 200 | 0.65 | 15 | 150 | 26B |
| KSH15A10B | 100 | 15 | Tc=120°C | 250 | 0.88 | 2 | 150 | 26B |
| KSQ30A03LB | 30 | 30 | Tc=108°C | 400 | 0.50 | 25 | 150 | 26B |
| KSQ30A04B | 40 | 30 | Tc=107°C | 400 | 0.58 | 25 | 150 | 26B |
| KSQ30A06B | 60 | 30 | Tc=98°C | 400 | 0.67 | 25 | 150 | 26B |
| KSH30A20B | 200 | 30 | Tc=104°C | 300 | 0.95 | 0.5 | 150 | 26B |
| KSL60A01B | 10 | 60 | Tc=64°C | 700 | 0.45 | 40 | 100 | 26B |
| KSQ60A03LB | 30 | 60 | Tc=106°C | 700 | 0.54 | 40 | 150 | 26B |
| KSQ60A04B | 40 | 60 | Tc=100°C | 700 | 0.62 | 40 | 150 | 26B |
| KSQ60A06B | 60 | 60 | Tc=87°C | 700 | 0.71 | 40 | 150 | 26B |
| KCQ20A03L | 30 | 10A×2 | Tc=119°C | 180 | 0.49 | 10 | 150 | 26A |
| KCQ20A04 | 40 | 10A×2 | Tc=119°C | 180 | 0.55 | 10 | 150 | 26A |
| KCQ20A06 | 60 | 10A×2 | Tc=111°C | 150 | 0.65 | 10 | 150 | 26A |
| KCH20A10 | 100 | 10A×2 | Tc=120°C | 180 | 0.88 | 1 | 150 | 26A |
| KCH20A20 | 200 | 10A×2 | Tc=118°C | 120 | 0.90 | 0.2 | 15 | 26A |
| KCQ30A03L | 30 | 15A×2 | Tc=111°C | 250 | 0.49 | 15 | 150 | 26A |
| KCQ30A04 | 40 | 15A×2 | Tc=110°C | 300 | 0.55 | 15 | 150 | 26A |
| KCH30A04 | 40 | 15A×2 | Tc=114°C | 250 | 0.61 | 1 | 150 | 26A |
| KCQ30A06 | 60 | 15A×2 | Tc=102°C | 200 | 0.65 | 15 | 150 | 26A |
| KCH30A06 | 60 | 15A×2 | Tc=108°C | 200 | 0.69 | 1 | 150 | 26A |
| KCH30A10 | 100 | 15A×2 | Tc=111°C | 250 | 0.88 | 2 | 150 | 26A |
| KCH30A15 | 150 | 15A×2 | Tc=109°C | 250 | 0.91 | 2 | 150 | 26A |
| KCH30A20 | 200 | 15A×2 | Tc=106°C | 150 | 0.92 | 0.3 | 150 | 26A |
| KCL40B015 | 15 | 20A×2 | Tc=68°C | 250 | 0.46 | 15 | 125 | 26A |
| KCQ60A03L | 30 | 30A×2 | Tc=86°C | 400 | 0.50 | 25 | 150 | 26A |
| KCH60A03L | 30 | 30A×2 | Tc=102°C | 400 | 0.59 | 2 | 150 | 26A |
| KCQ60A04 | 40 | 30A×2 | Tc=83°C | 400 | 0.58 | 25 | 150 | 26A |
| KCH60A04 | 40 | 30A×2 | Tc=98°C | 400 | 0.63 | 2 | 150 | 26A |
| KCQ60A06 | 60 | 30A×2 | Tc=69°C | 400 | 0.67 | 25 | 150 | 26A |

Schottky Barrier Diode

| Part Number | V _{RRM} (V) | I _{FAV} (A) | Condition | I _{FSM} (A) | V _{FM} (V) 25° C | I _{RM} (mA) 25° C | T _{jmax} (° C) | Case Outline |
|-------------|----------------------|----------------------|-----------|----------------------|---------------------------|----------------------------|-------------------------|--------------|
|-------------|----------------------|----------------------|-----------|----------------------|---------------------------|----------------------------|-------------------------|--------------|

Modified TO-247



| | | | | | | | | |
|------------|----|----|----------|-----|------|----|-----|----|
| KSQ60A03LE | 30 | 60 | Tc=106°C | 700 | 0.54 | 40 | 150 | 27 |
| KSQ60A04E | 40 | 60 | Tc=100°C | 700 | 0.62 | 40 | 150 | 27 |
| KSQ60A06E | 60 | 60 | Tc=87°C | 700 | 0.71 | 40 | 150 | 27 |

TO-3P

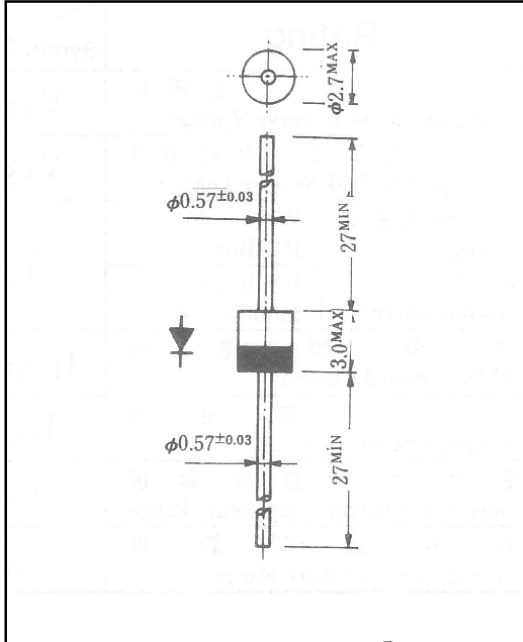


| | | | | | | | | |
|----------|-----|-------|----------|-----|------|---|-----|-----|
| LCH30U10 | 100 | 15A×2 | Tc=114°C | 250 | 0.88 | 2 | 150 | 28A |
|----------|-----|-------|----------|-----|------|---|-----|-----|

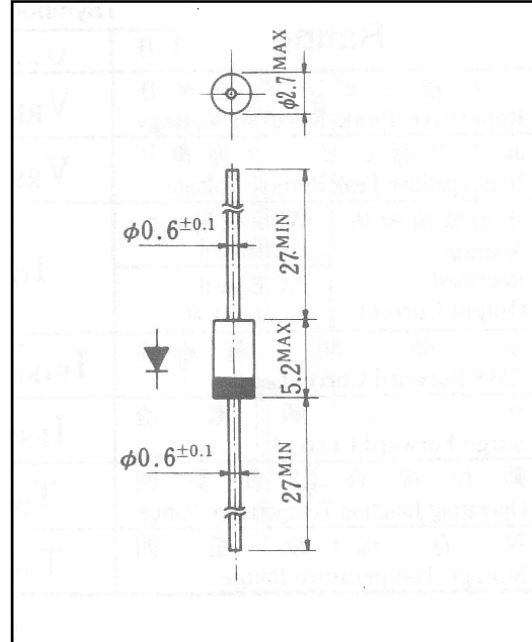
Case Outline

In mm

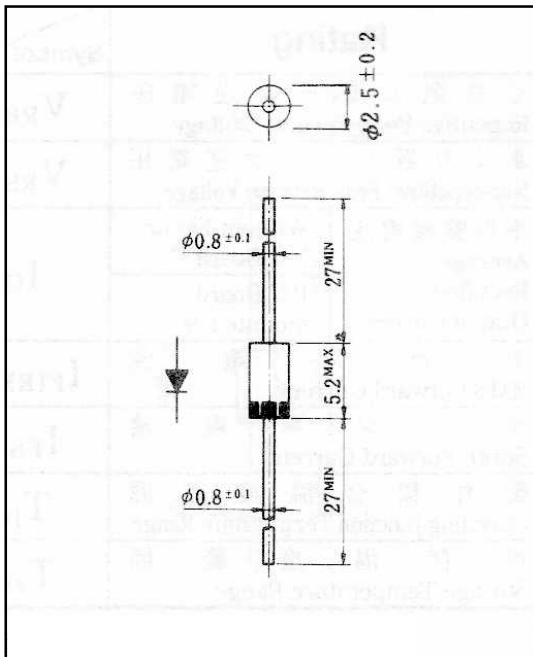
1



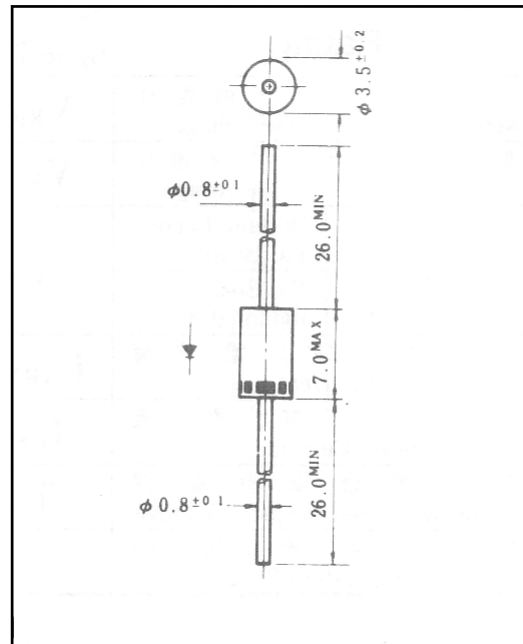
2



3



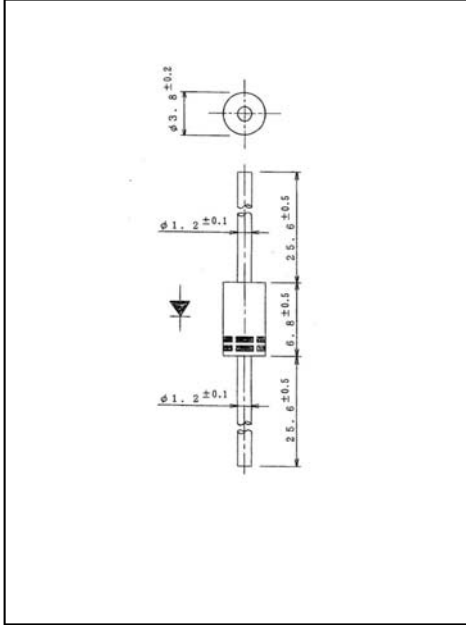
4



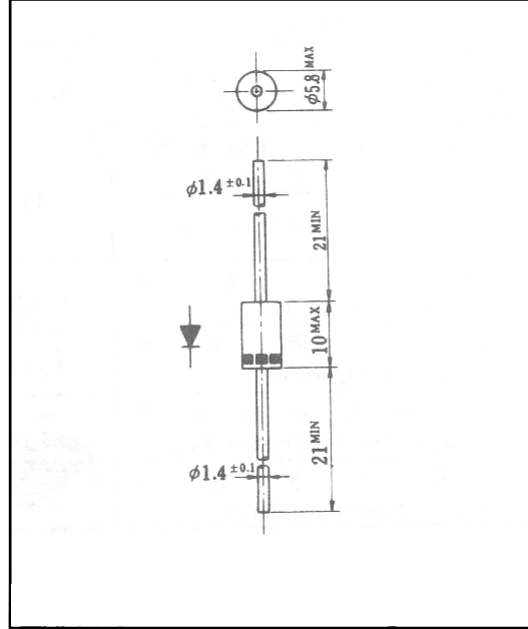
Case Outline

In mm

5

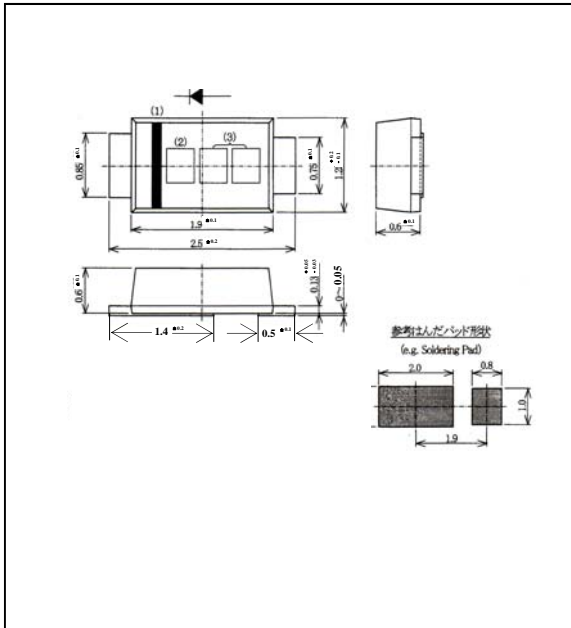


6



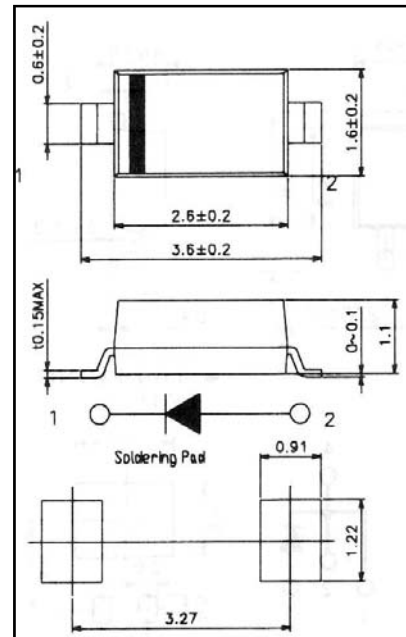
7

SOD-323FL



8

SOD-123

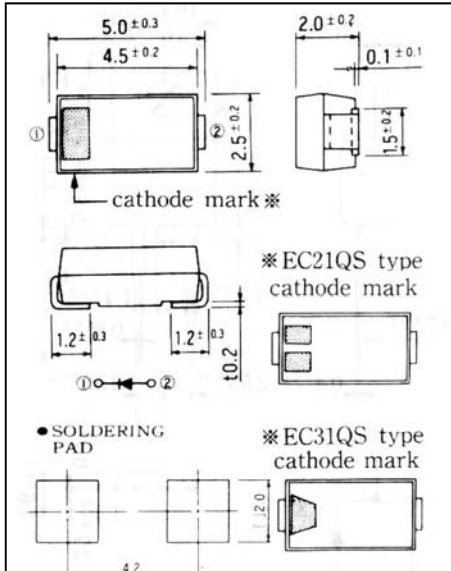


Case Outline

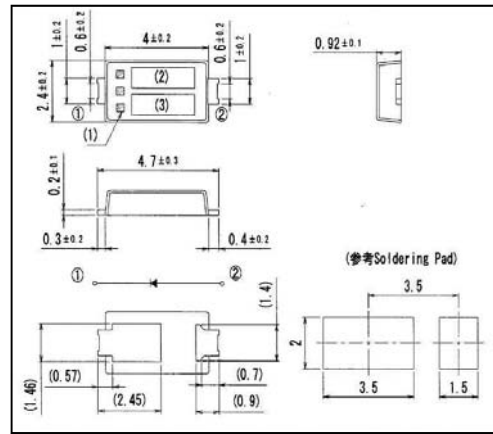
In mm

9

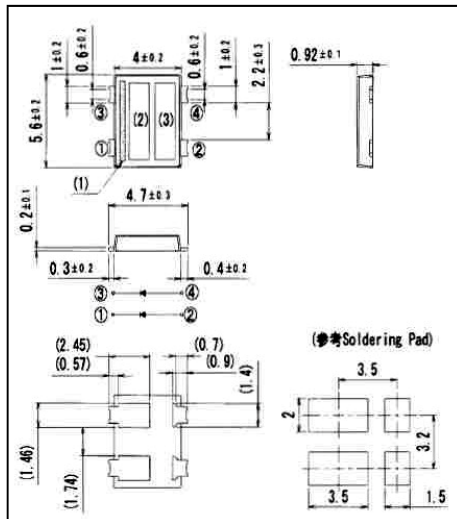
SMA



10

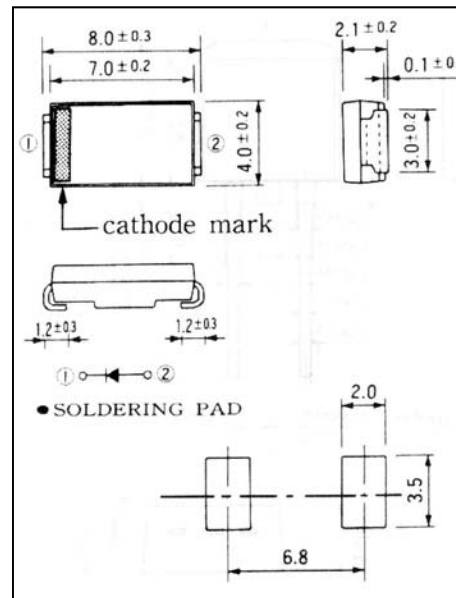


11



12

nSMC

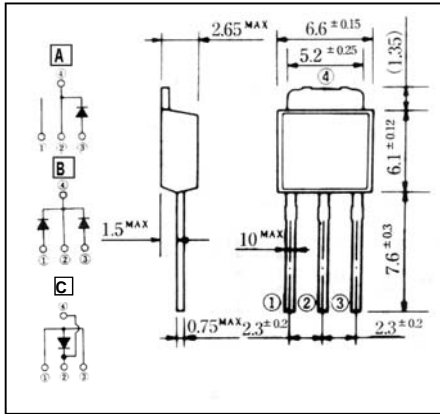


Case Outline

In mm

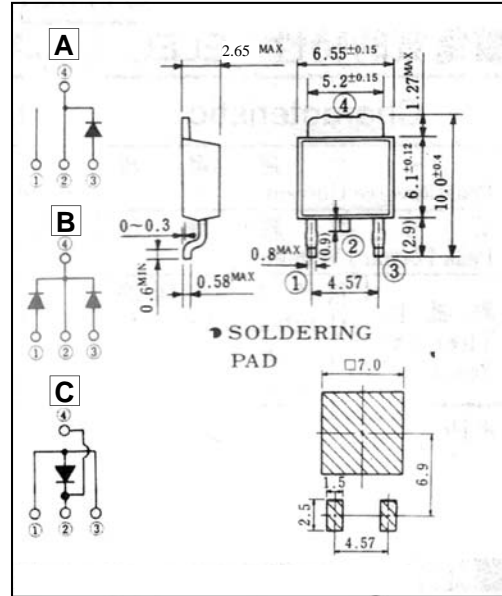
13

TO-251



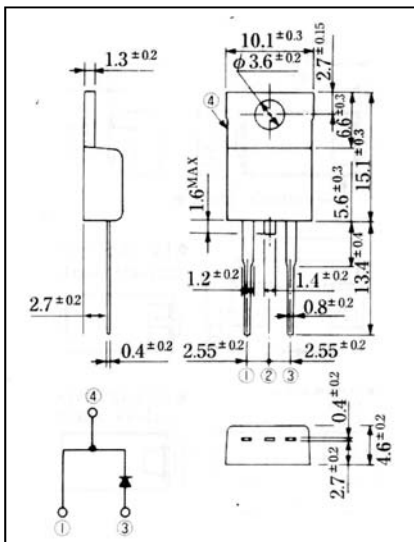
14

Dpak (TO-252)



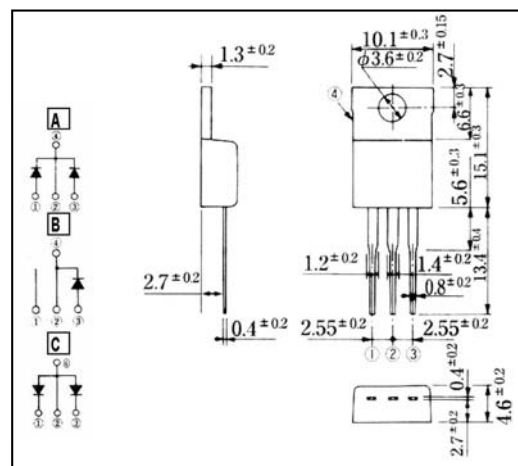
15

TO-220-2pin



16

TO-220

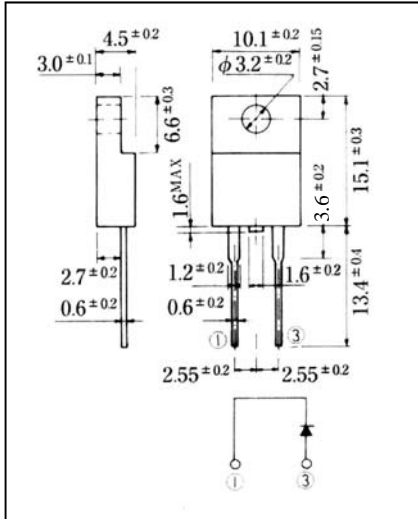


Case Outline

In mm

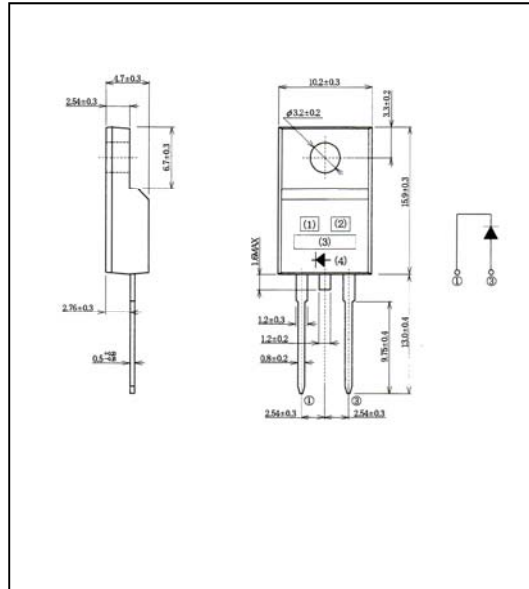
17

TO-220F-2pin



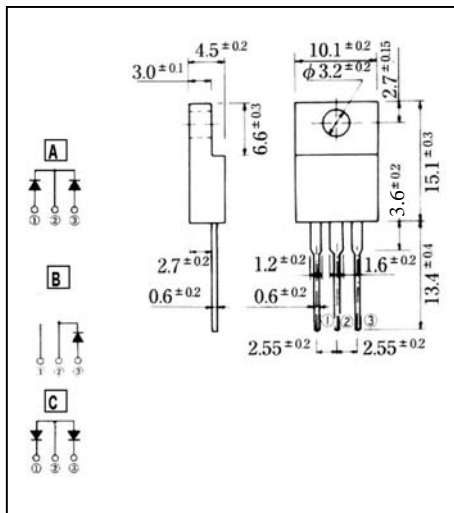
18

TO-220F-2pin



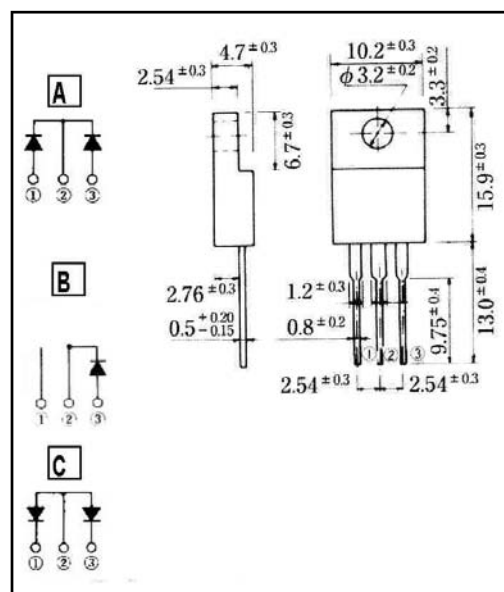
19

TO-220F



20

TO-220F

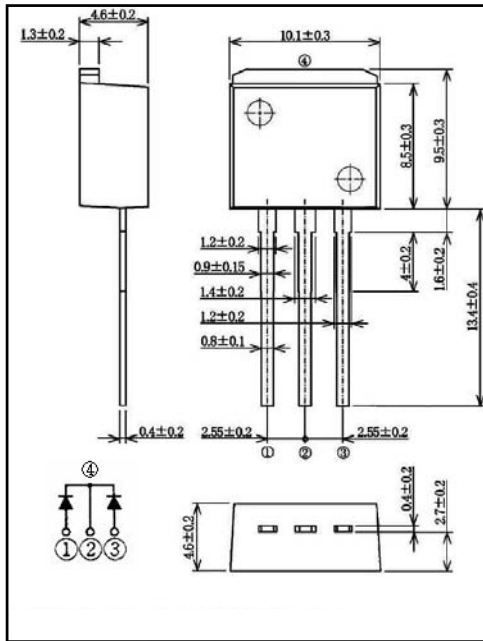


Case Outline

In mm

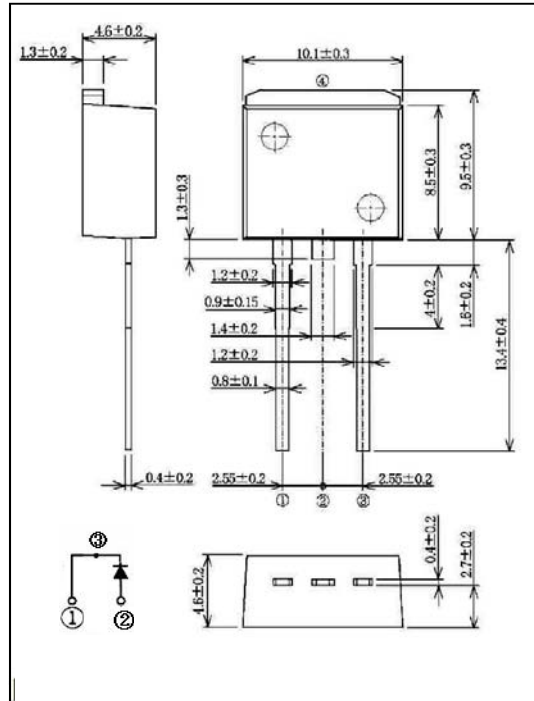
21

TO-262



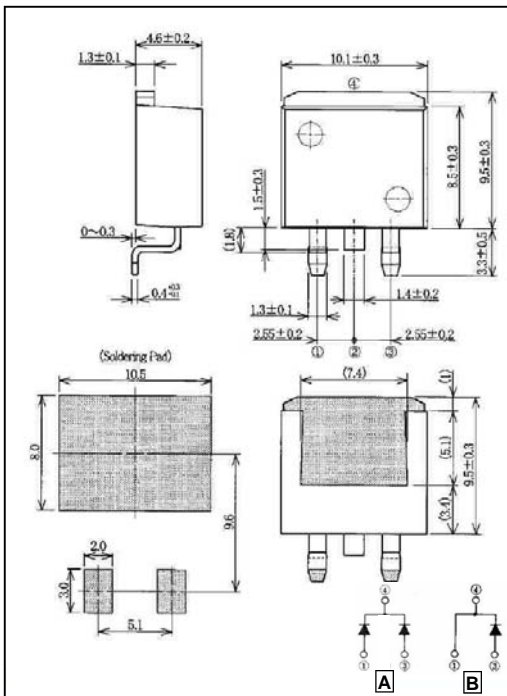
22

TO-262-2pin



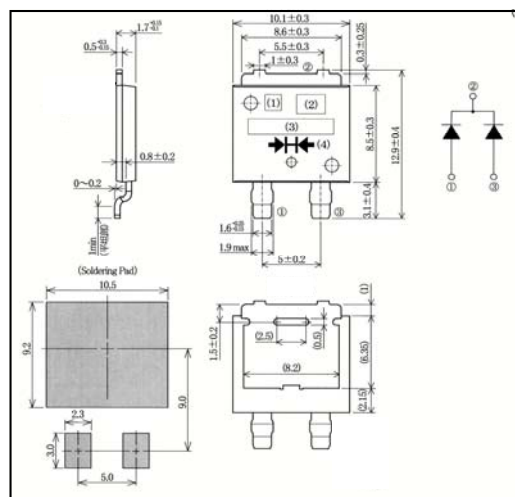
23

TO-263



24

TO-263LP

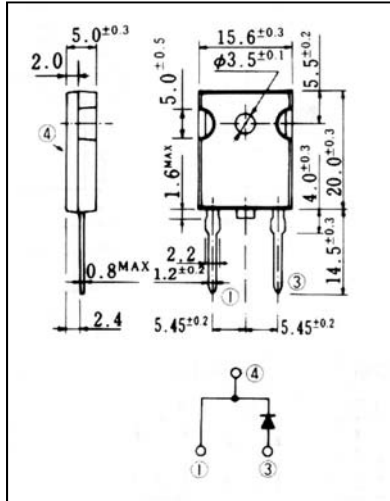


B31

Case Outline

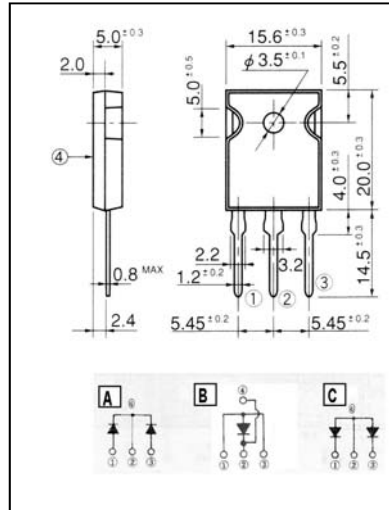
25

TO-247-2pin



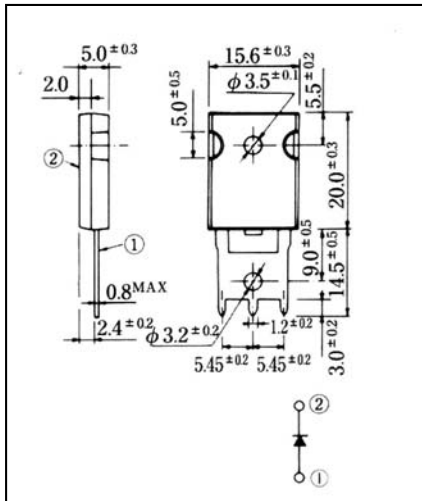
26

TO-247



27

Modified TO-247



28

TO-3P

