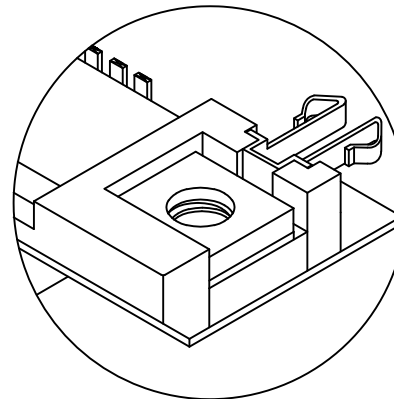
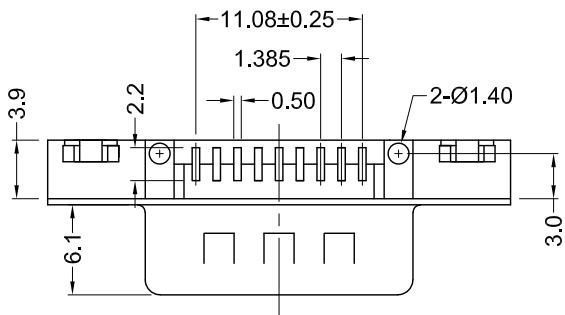
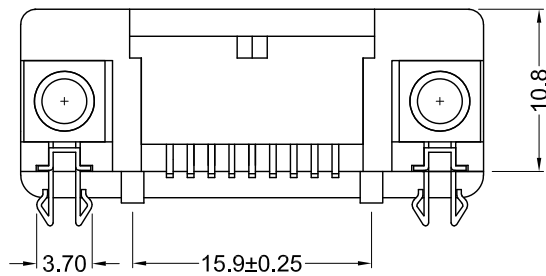


Recommended PCB Layout

Pin Number:  
5 9 4 8 3 7 2 6 1



Fork Board Lock Type



**Material and Finish**

Shell: Steel, nickel plated

Insulator:  
high temp. thermoplastic  
UL 94V-0 rated  
reflow process compatible

Contact Material:  
Plug-Phosphor Bronze

Duplex plated as follows:  
-30 .000030" [0.00076mm] gold  
on mating end,  
tin on termination end,  
with entire contact nickel  
-15 .000015" [0.00038mm] gold  
on mating end,  
tin on termination end,  
with entire contact nickel

(Standard) Gold flash on mating end,  
tin on termination end, with nickel  
underplate on entire contact

**Electrical Specifications**

Rated Current: 2A  
Rated Voltage: 30V RMS  
Withstanding Voltage:  
500V (rms) AC for 1 min  
Insulation Resistance:  
more than 1000 Mohm  
at 500v DC  
Contact Resistance:  
13 mohm Max  
Dielectric Strength:  
1000V for 1 min  
Temperature Rating:  
-55°C to +105°C

Part Number	Plating	Packaging
K202XHT-E9P-N	Flash	Tubes
K202XHT-E9P-N15	15u"	Tubes
K202XHT-E9P-N30	30u"	Tubes
K202XHT-E9P-N-TR	Flash	Tape and Reel
K202XHT-E9P-N15-TR	15u"	Tape and Reel
K202XHT-E9P-N30-TR	30u"	Tape and Reel



Tolerances
X.X ± 0.25
X.XX ± 0.15
Unless Stated Otherwise

REV.	DATE	DESCRIPTION	REV. BY	CHK. BY	DRAWN BY	DATE
A1	11/7/05	New Drawing	R. Aguirre	H. MA	R. Aguirre	10/03/05
B1	11/30/07	ECO#07-044	WILL_H	H. MA		
B2	05/20/08	ECO# 08-042	S. Vien	H. MA		
B3	08/10/18	Address Update	G. Serrato	D. Shehan		
					UNITS	
					mm	

**K202XHT-E9P-N**

D-Sub, Right Angle, RoHS Compliant  
Low Profile, 9 Pin Male, SMT

