

## 28GHz 2-way Wilkinson Power Divider

**PDW07630**

### DESCRIPTION

DLI's 28GHz 2-way power divider / combiner offers unmatched size and performance in a surface mount configuration. This power divider utilizes DLI's low loss temperature stable materials which offer small size and minimal performance variation over temperature.

### FEATURES

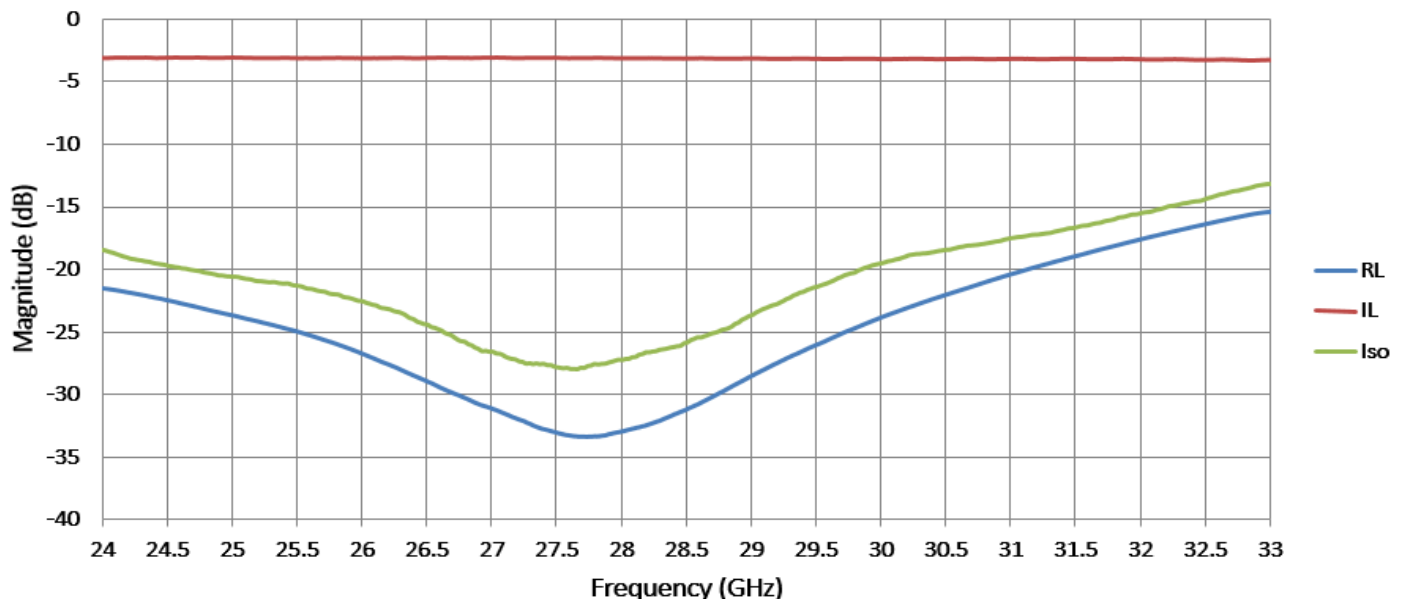
- Small Size
- Solder Surface Mount Package
- Moisture Sensitivity Level: MSL1
- Frequency Stable over Temperature
- Operating & Storage Temp: -55°C to +125°C
- Characteristic Impedance: 50Ω
- Excellent Repeatability

### SPECIFICATIONS\*

| Parameter                    | Frequency (GHz) | Min | Typ. | Max |       |
|------------------------------|-----------------|-----|------|-----|-------|
| Nominal Power Splitting (dB) | 25–32           |     | 3.0  |     |       |
| Nominal Phase Shift (Deg)    |                 |     | 0.0  |     |       |
| Amplitude Balance (dB)       |                 |     |      |     | ± .25 |
| Phase Balance (Deg)          |                 |     |      |     | ± 5.0 |
| Excess Insertion Loss (dB)   |                 |     |      |     | 0.7   |
| Return Loss (dB)             |                 |     | 15   | 20  |       |
| Isolation (dB)               |                 |     | 14   | 15  |       |
| Input Power                  |                 |     |      |     | TBD   |

\*Electrical specifications based on typical mounted performance at room temperature. Insertion loss shall vary ±0.5dB over temperature.

### Typical Measured Performance

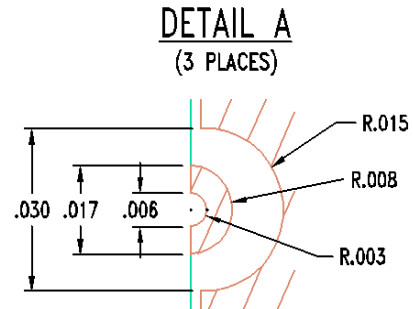
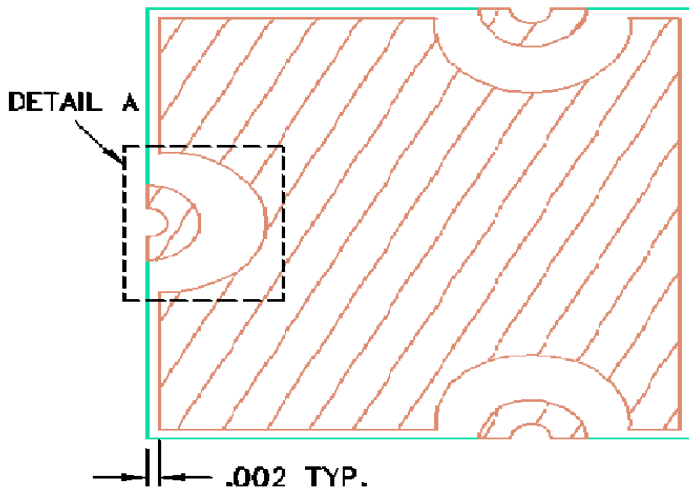
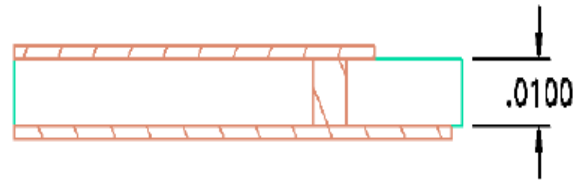
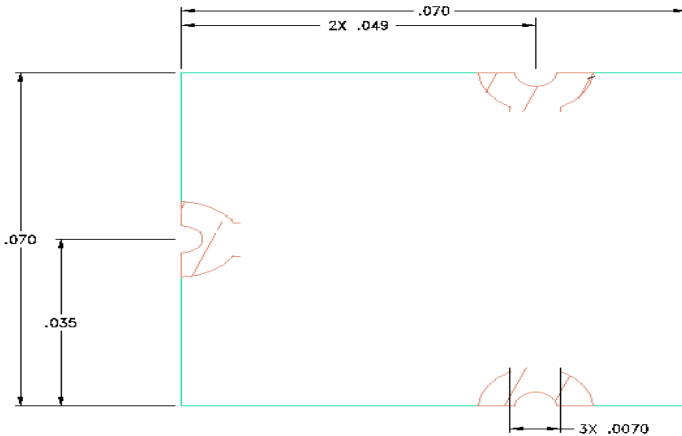


# 28GHz 2-way Wilkinson Power Divider

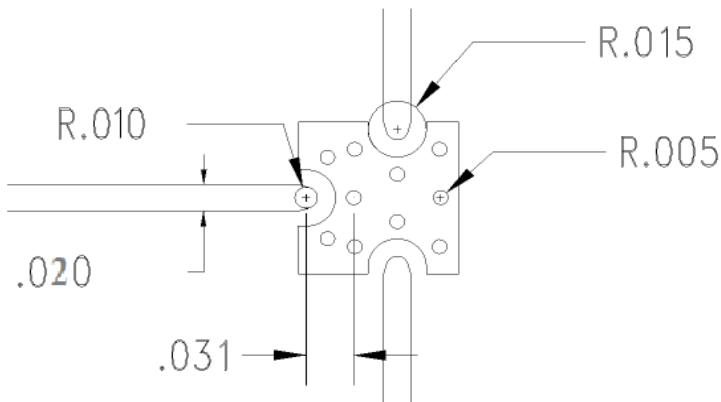
**PDW07630**

## Physical Dimensions

Units = inches



## Recommended PCB Layout



- 50Ω trace dimensions are application specific.
- Ensure adequate grounding beneath the part.

