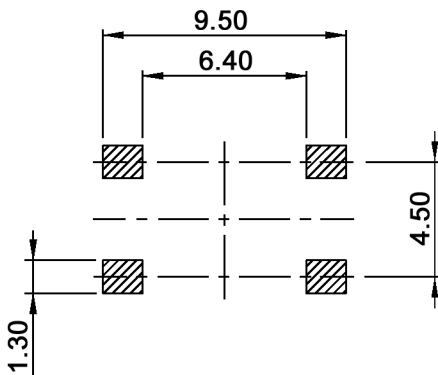
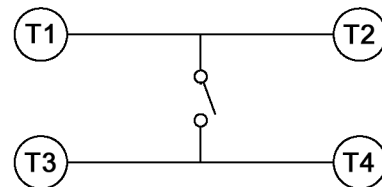


Ⓟ Recommend operating area $\varnothing 2.0\text{mm}$

P.C.B. LAYOUT



CIRCUIT DIAGRAM



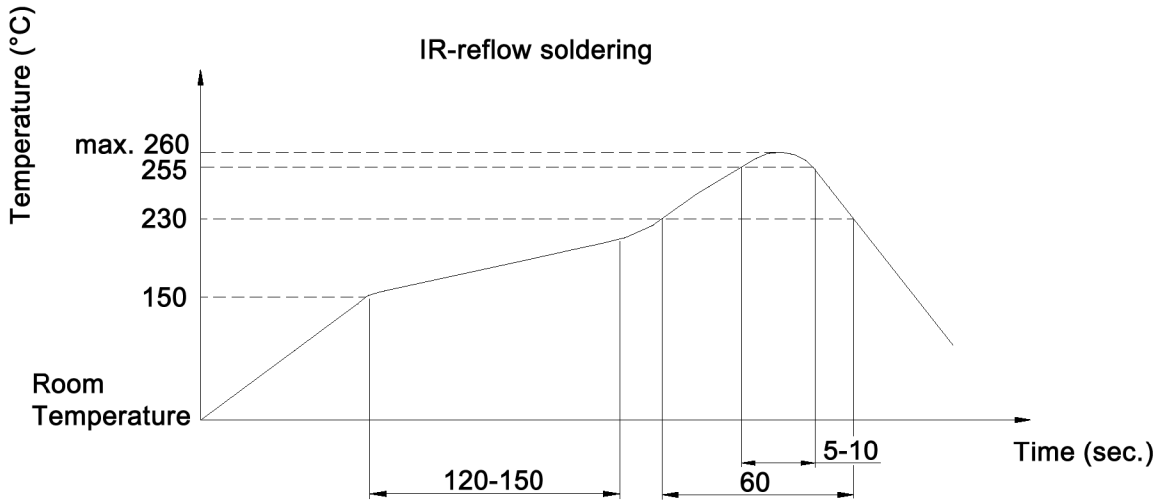
Compliance: RohS II (2011/65/EU)

Tolerances: up to 10: $\pm 0.2\text{mm}$ above 10-50: $\pm 0.3\text{mm}$		Date	Name	<h1>TSS 62 x</h1>
		04/06	dr	
Rename	07/15	dr		<h1>30 08 40</h1>
Rename	06/15	dr		
Operating temperature	07/08	dr		
Packaging	06/06	dr	knitter-switch	Page
Modifications	Date	Name		1/3

Specifications:

Contact rating: 50mA, 12V DC
 Contact resistance: 100mOhm max.
 Insulation resistance: 100MOhm min. at 500V DC for 1 minute
 Dielectric strength: 250V AC (50/60Hz) for 1 minute
 Operating temperature: -40°C to +85°C
 Storage temperature: -40°C to +85°C
 Material: Cover: stainless steel
 Stem / base: high-temp. thermoplastic nylon UL94V-0
 Contact: phosphor bronze, silver plated
 Terminal: brass, silver plated

Soldering conditions:



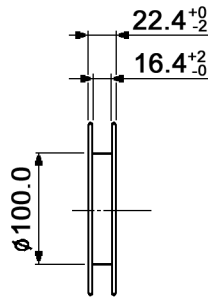
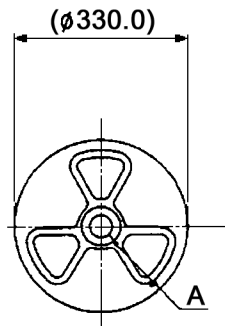
x	Operating force	Mechanical life	Stem color
K	100 +/-30 gf	150 000 cycles	black
N	160 +/-50 gf	150 000 cycles	brown
R	250 +/-70 gf	150 000 cycles	red
S	320 +/-70 gf	100 000 cycles	salmon
Y	520 +/-130 gf	50 000 cycles	yellow

Compliance: RohS II (2011/65/EU)

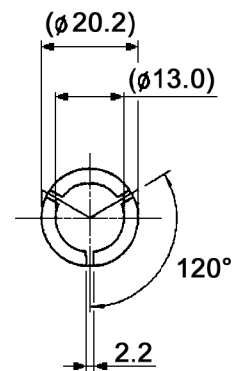
Tolerances: up to 10: ±0.2mm above 10-50: ±0.3mm		Date	Name	TSS 62 x
		04/06	dr	
			knitter-switch	30 08 40
Modifications		Date	Name	Page 2/3

Packaging:

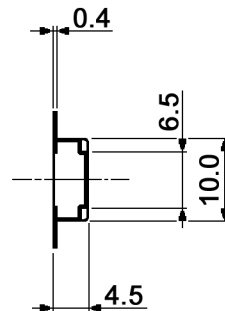
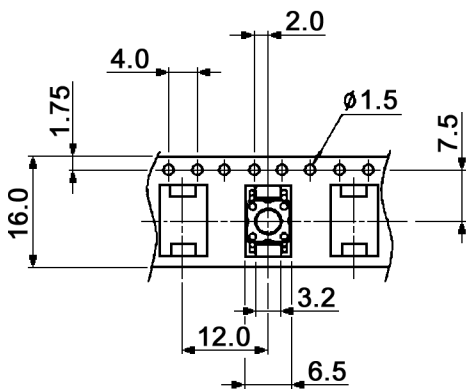
REEL



DETAIL "A"



CARRIER TAPE



COVER TAPE



Packaging unit: 900 pcs. / reel
 Compliance: RohS II (2011/65/EU)

Tolerances: up to 10: ±0.2mm above 10-50: ±0.3mm	Date	Name
	04/06	dr
Modifications	Date	Name

TSS 62 x

30 08 40

Page

3/3

knitter-switch