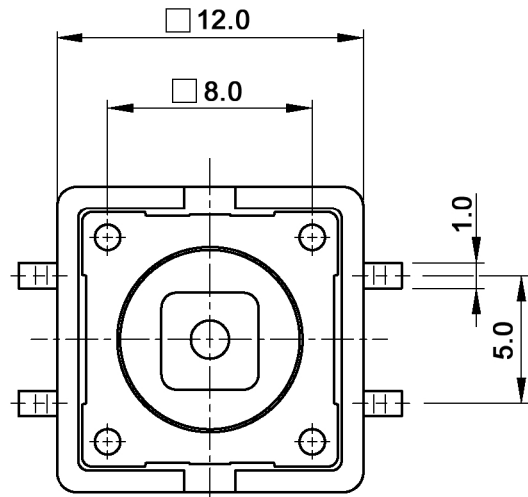
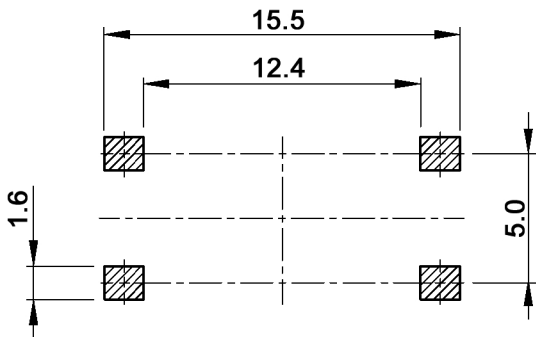


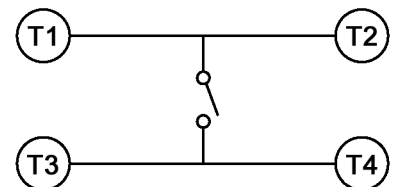
P.C.B. LAYOUT



Specifications:

- Contact rating: 12V DC, 50mA
- Contact resistance: 100mOhm max.
- Insulation resistance: 100MOhm min. at 500V DC for 1 minute
- Dielectric strength: 250V AC (50Hz or 60Hz) for 1 minute
- Operating temperature: -40°C to +85°C
- Storage temperature: -40°C to +85°C
- Travel: 0.35±0.1 mm
- Material: Cover: stainless steel
Stem: high-temp. thermoplastic nylon UL94V-0
Contact: phosphor bronze, silver plated
Base: high-temp. thermoplastic nylon UL94V-0, molded brown
Terminal: brass, silver plated

CIRCUIT DIAGRAM



x	Operating force (gf)	Electrical life	Colour of stem
N	160 +/-50	200 000 cycles	brown
R	260 +/-50	100 000 cycles	red
S	320 +/-80	100 000 cycles	salmon
Y	520 +/-130	100 000 cycles	yellow

Compliance: RohS II (2011/65/EU)

Tolerances: ±0.20 mm max.	Date	Name
	11/05	dr
Temperatures	12/18	dr
Travel	09/18	dr
Table "x"	06/11	dr
Modifications	Date	Name

TSS 24 x

30 07 29

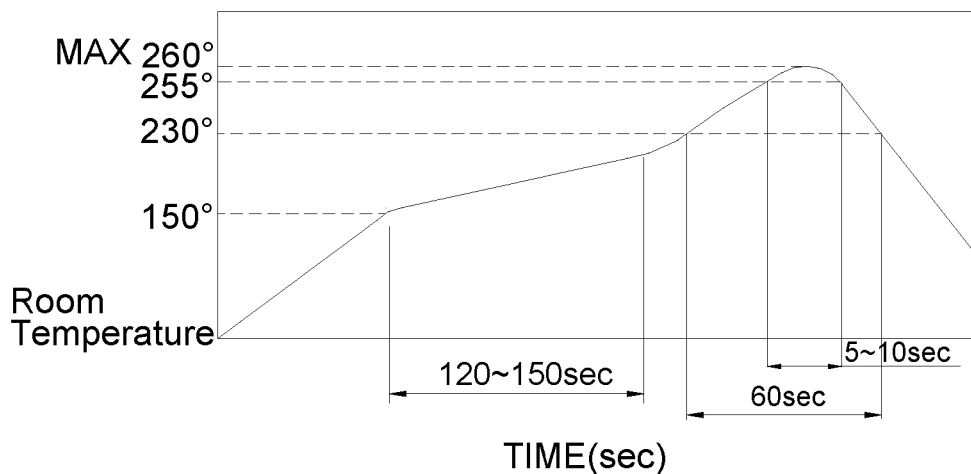
knitter-switch

Page

1/2

Soldering profile:

■ Condition for Soldering



- The condition mentioned above is the temperature on the Cu foil of the PCB surface. There are cases where board's temperature greatly differs from switch's surface be used not to allow switch's surface temperature to exceed 260°C.

■ Manual Soldering

Soldering Temperature	Max.350°C
Continuous Soldering Time	Max. 5 seconds

■ Precautions in Handling

- 1.Care should be exercised so that flux from the upper part of the printed circuit board does not adhere to the switch.
- 2.Except for washable type do not wash the switch body.
- 3.Please make sure that there is no flux rose over the surface of the PCB

Compliance: RohS II (2011/65/EU)

Tolerances: ±0.20 mm max.		Date	Name	TSS 24 x
		11/05	dr	
Temperatures	12/18	dr	knitter-switch	30 07 29
Travel	09/18	dr		
Table "x"	06/11	dr		
Modifications	Date	Name		Page 2/2