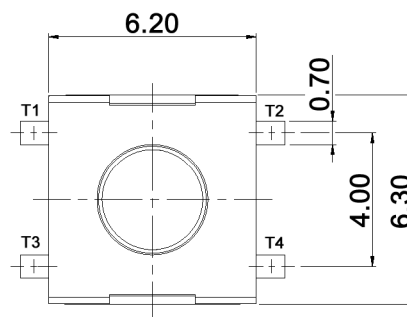
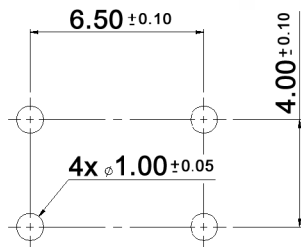


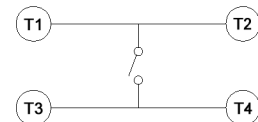
P.C.B. LAYOUT



Specifications:

- Contact rating: 50mA, 12V DC
- Contact resistance: 100mOhm max.
- Insulation resistance: 100MOhm min. at 500V DC
- Dielectric strength: 250V AC for 1 minute
- Operating temperature: -40°C to +85°C
- Soldering conditions: wave soldering: 260°C, 5sec.
- Sealing: IP 67
- Material: Cover: stainless steel
Terminal: brass silver plated
Base: UL94V-0 nylon high-temp. thermoplastic, black
Stem: silicone rubber
Contact: phosphor bronze silver cladding

CIRCUIT DIAGRAM

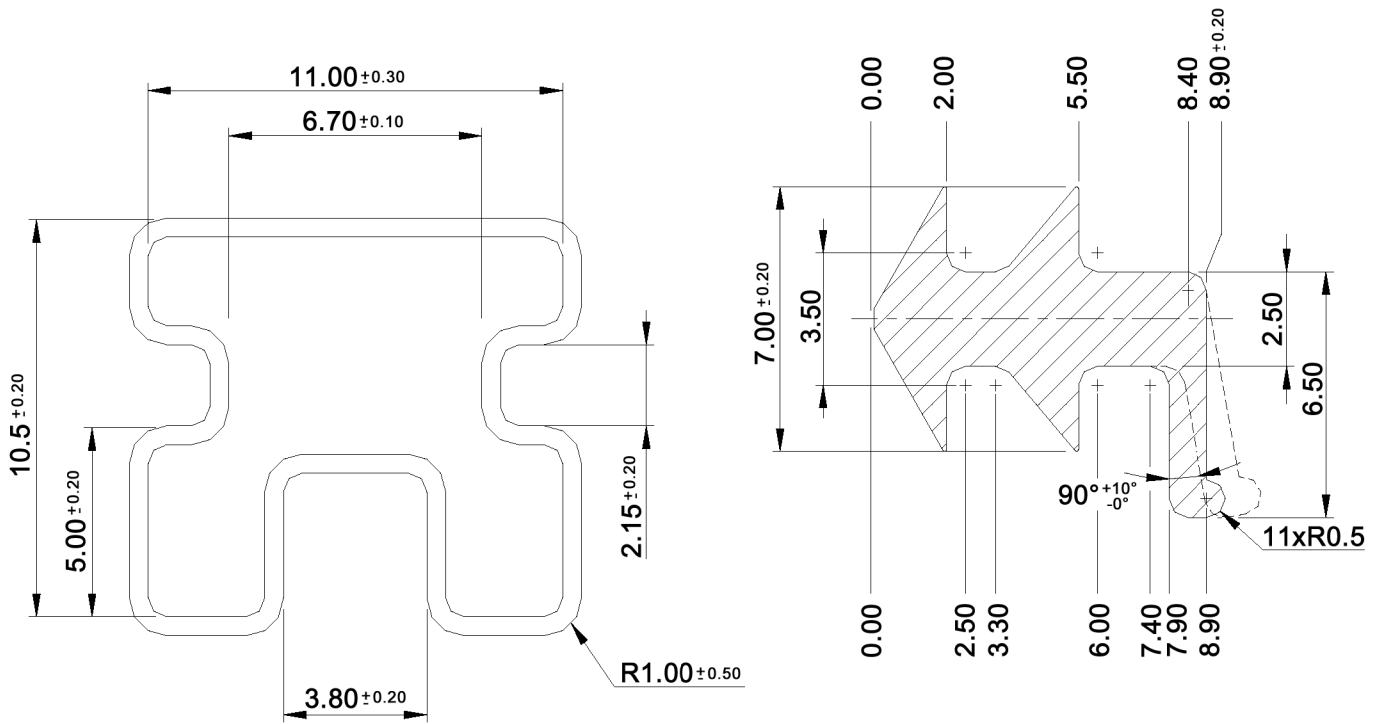


x	operating force	operation life	travel	stem color
N	180 +/- 50 gf	500 000 cycles	0.45 ±0.2 mm	brown
R	260 +/- 70 gf	500 000 cycles	0.45 ±0.2 mm	red
T	360 +/- 90 gf	500 000 cycles	0.6 ±0.2 mm	transparent
Y	520 +/- 90 gf	500 000 cycles	0.45 ±0.2 mm	yellow



Tolerances: ±0.20mm		Date	Name	TSE 69 x
		03/08	dr	
Revised	03/13	dr	knitter-switch	30 14 23
Specifications	01/09	dr		
Modifications	Date	Name		1/2

Packaging:



Packaging unit: 75 pcs / tube



Tolerances: ±0.20mm			Date	Name	TSE 69 x
			03/08	dr	
			knitter-switch		30 14 23
Modifications			Date	Name	Page 2/2