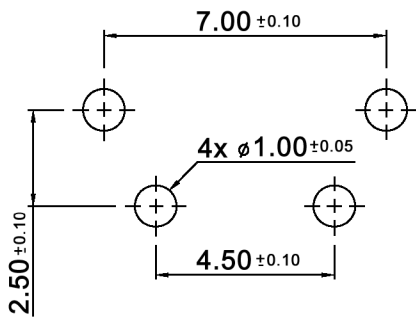
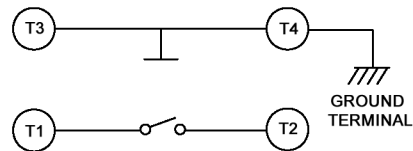


P.C.B. LAYOUT



CIRCUIT DIAGRAM



Tolerances: ±0.20mm max.		Date	Name
		12/12	dr
Modifications	Date	Name	

TS 644 x-RA

knitter-switch

30 27 54

Page

1/2

Specifications:

Contact rating: 50mA, 12V DC
 Contact resistance: 100mOhm max.
 Insulation resistance: 100MOhm min. at 500V DC
 Dielectric strength: 250V AC for 1 minute
 Operating temperature: -25°C to +70°C
 Storage temperature: -30°C to +80°C
 Soldering conditions: wave soldering: 260°C, 5sec. max.
 Stroke: 0.25 +0.20/-0.10mm
 Material: Cover: stainless steel
 Contact disc: phosphor bronze, silver cladding
 Terminal: brass, silver plated
 Base / stem: UL94V-0 nylon high-temp. thermoplastic

x	Operating force (gf)	Stem colour	Electrical life
K	100 +/-50	black	200 000 cycles
N	160 +/-50	brown	200 000 cycles
R	260 +/-50	red	100 000 cycles
S	320 +/-80	salmon	50 000 cycles
Y	520 +/-130	yellow	50 000 cycles



Tolerances: ±0.20mm max.		Date	Name	<h1>TS 644 x-RA</h1>
		12/12	dr	
		knitter-switch		30 27 54
				Page
				2/2
Modifications	Date	Name		