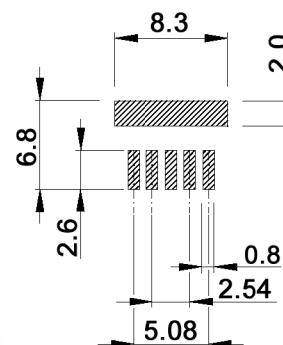


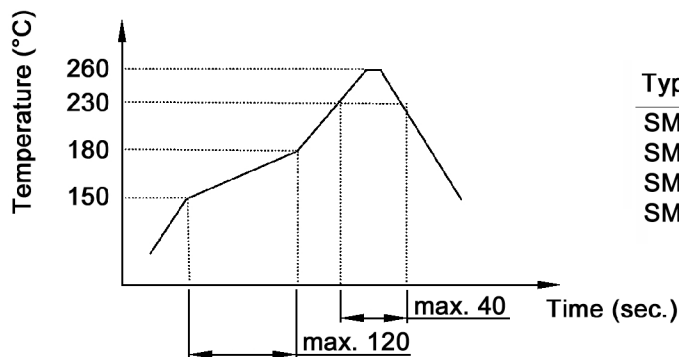
P.C.B. LAYOUT



Specifications:

- Contact rating: non-switching: 100mA, 50V DC
switching: 30mA, 15V DC
- Contact resistance: 200mOhm max.
- Insulation resistance: 1 000MOhm min. at 250V DC
- Dielectric strength: 250V, 50Hz for the duration of 1 minute
- Operating temperature: -40°C to +85°C
- Mechanical life: min. 20 000 cycles
- Material: Contacts: gold plated
Terminals: copper alloy, gold plated
Case: LCP, UL94V-0, black
Frame: stainless steel
Rotor: LCP, UL94V-0, yellow for real code, red for complement code
O-ring: silicone rubber UL94-HB

Recommended reflow soldering profile:



| Type: | Code: |
|-------------|------------------------|
| SMRR 7010-1 | BCD real |
| SMRR 7110-1 | BCD complement |
| SMRR 7016-1 | Hexadecimal real |
| SMRR 7116-1 | Hexadecimal complement |

Compliance: RohS II (2011/65/EU)

| | | |
|-----------------------|-------|------|
| Tolerances: ±0.3mm | Date | Name |
| | 08/08 | dr |
| | | |
| | | |
| | | |
| Operating temperature | 12/16 | dr |
| Packaging | 09/14 | dr |
| Modifications | Date | Name |

SMRR 7000-1

30 15 64

Page

1/3

knitter-switch

Codes:

BCD

| | | Real coded | | | | |
|--------------|---|------------|---|---|---|---|
| | | C | 1 | 2 | 4 | 8 |
| 10 Positions | 0 | ● | | | | |
| | 1 | ● | ● | | | |
| | 2 | ● | | ● | | |
| | 3 | ● | ● | ● | | |
| | 4 | ● | | | ● | |
| | 5 | ● | ● | | ● | |
| | 6 | ● | | ● | ● | |
| | 7 | ● | ● | ● | ● | |
| | 8 | ● | | | | ● |
| | 9 | ● | ● | | | ● |

BCD inverse

| | | Complement coded | | | | |
|--------------|---|------------------|---|---|---|---|
| | | C | 1 | 2 | 4 | 8 |
| 10 Positions | 0 | ● | ● | ● | ● | ● |
| | 1 | ● | | ● | ● | ● |
| | 2 | ● | ● | | ● | ● |
| | 3 | ● | | | ● | ● |
| | 4 | ● | ● | ● | | ● |
| | 5 | ● | | ● | | ● |
| | 6 | ● | ● | | | ● |
| | 7 | ● | | | | ● |
| | 8 | ● | ● | ● | ● | |
| | 9 | ● | | ● | ● | |

Hexadecimal

| | | Real coded | | | | |
|--------------|---|------------|---|---|---|---|
| | | C | 1 | 2 | 4 | 8 |
| 16 Positions | 0 | ● | | | | |
| | 1 | ● | ● | | | |
| | 2 | ● | | ● | | |
| | 3 | ● | ● | ● | | |
| | 4 | ● | | | ● | |
| | 5 | ● | ● | | ● | |
| | 6 | ● | | ● | ● | |
| | 7 | ● | ● | ● | ● | |
| | 8 | ● | | | | ● |
| | 9 | ● | ● | | | ● |
| | A | ● | | ● | ● | ● |
| | B | ● | ● | ● | | ● |
| | C | ● | | | ● | ● |
| | D | ● | ● | | ● | ● |
| | E | ● | | ● | ● | ● |
| | F | ● | ● | ● | ● | ● |

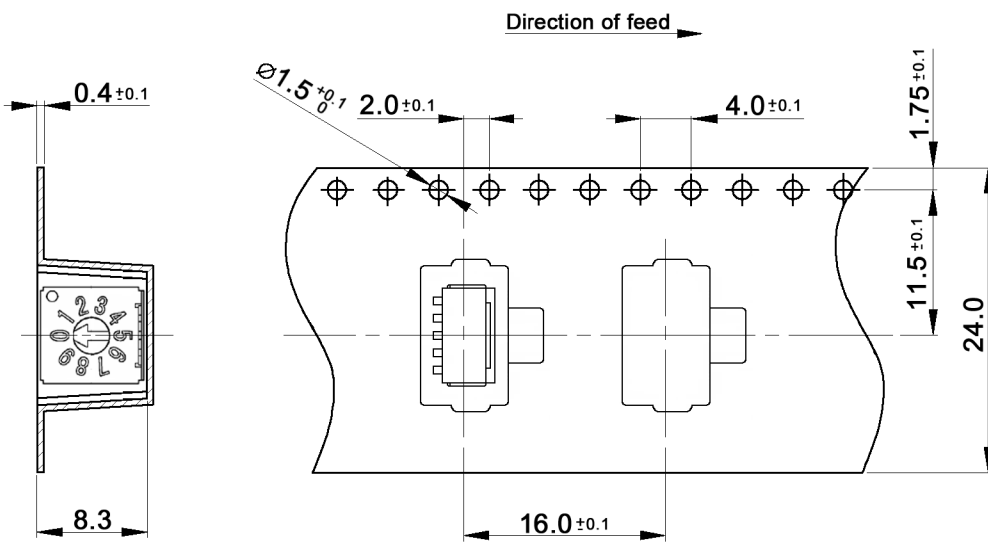
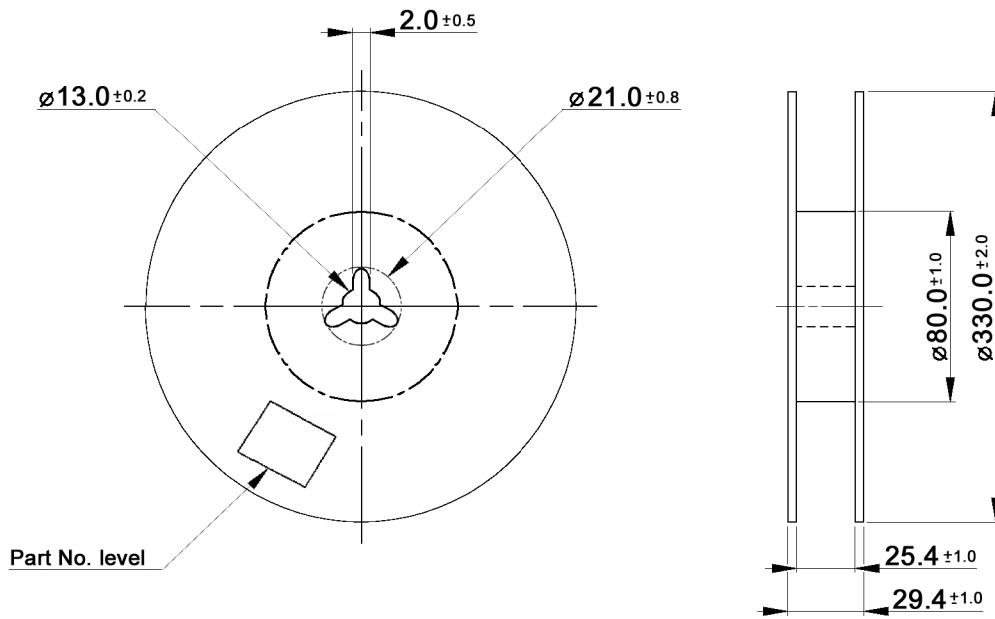
Hexadecimal inverse

| | | Complement coded | | | | |
|--------------|---|------------------|---|---|---|---|
| | | C | 1 | 2 | 4 | 8 |
| 16 Positions | 0 | ● | ● | ● | ● | ● |
| | 1 | ● | | ● | ● | ● |
| | 2 | ● | ● | | ● | ● |
| | 3 | ● | | | ● | ● |
| | 4 | ● | ● | ● | | ● |
| | 5 | ● | | ● | | ● |
| | 6 | ● | ● | | | ● |
| | 7 | ● | | | | ● |
| | 8 | ● | ● | ● | ● | |
| | 9 | ● | | ● | ● | |
| | A | ● | ● | | ● | |
| | B | ● | | | ● | |
| | C | ● | ● | ● | | |
| | D | ● | | ● | | |
| | E | ● | ● | | | |
| | F | ● | | | | |

Compliance: RohS II (2011/65/EU)

| | | | | | |
|--------------------|-------|------|-----------------------|-----------------|-------------|
| Tolerances: ±0.3mm | Date | Name | SMRR 7000-1 | 30 15 64 | Page 2/3 |
| | 08/08 | dr | | | |
| | | | | | |
| | | | | | |
| | | | | | |
| | | | knitter-switch | | |
| Modifications | Date | Name | | | |

Packaging:



Packaging unit: 500 pcs. / reel
 Compliance: RohS II (2011/65/EU)

| | | | |
|--------------------------------|-------|------|----------------------|
| Tolerances: $\pm 0.3\text{mm}$ | Date | Name | <h1>SMRR 7000-1</h1> |
| | 08/08 | dr | |
| | | | |
| | | | |
| | | | |
| | | | <h2>30 15 64</h2> |
| | | | Page |
| | | | 3/3 |
| Modifications | Date | Name | |

knitter-switch

Page

30 15 64

3/3