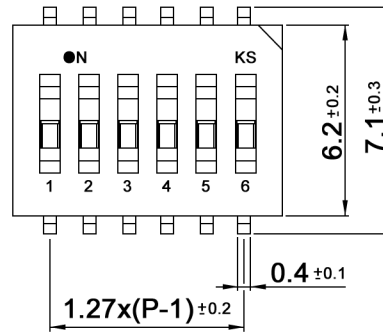
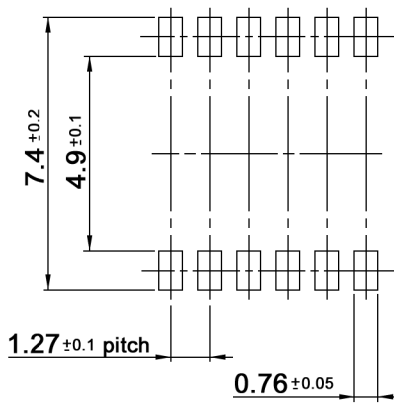


xx	Poles	A
02	2	3.70
04	4	6.20
06	6	8.75
08	8	11.30
10	10	13.80

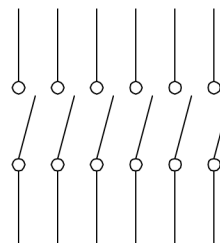


Delivery in OFF position

P.C.B. LAYOUT



CIRCUIT DIAGRAM



Compliance: RohS II (2011/65/EU)

Tolerances: 0-1: ±0.1mm 1-4: ±0.3mm 4-16: ±0.5mm	Date	Name	<h1>DHS 6xx-J</h1>
	12/13	dr	
Revised	08/15	dr	<h2>30 29 89</h2>
Specifications	01/14	dr	
Modifications	Date	Name	Page
			1/3

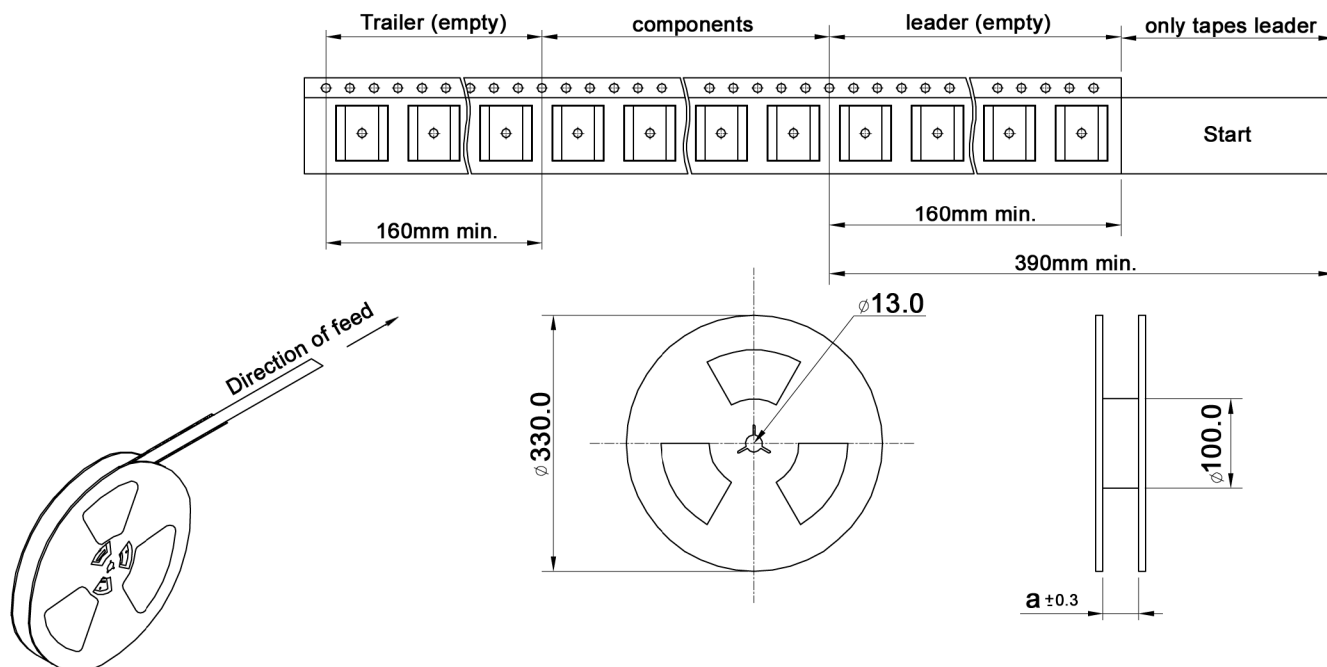
knitter-switch

Page

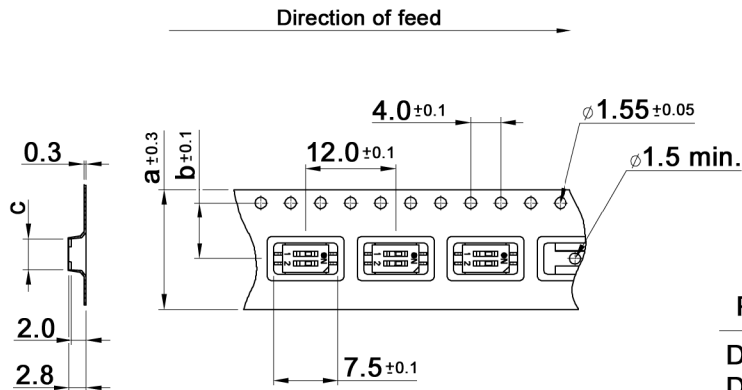
30 29 89

1/3

Packaging:

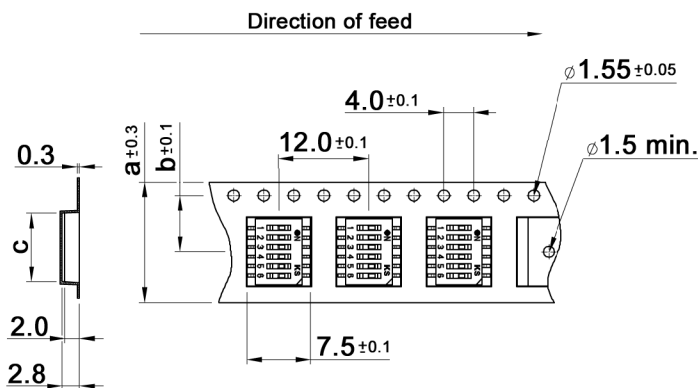


DHS 602-J:



Prod. No.	Poles	a	b	c
DHS 602-J	2	16	7.5	4.1±0.1
DHS 604-J	4	16	7.5	6.6±0.1
DHS 606-J	6	16	7.5	9.15±0.1
DHS 608-J	8	24	11.5	11.9±0.05
DHS 610-J	10	24	11.5	14.2±0.1

DHS 604-J....DHS 610-J:



Compliance: RohS II (2011/65/EU)

Tolerances: 0-1: ±0.1mm 1-4: ±0.3mm 4-16: ±0.5mm	Date	Name	<h1>DHS 6xx-J</h1>
	12/13	dr	
			<h2>30 29 89</h2>
Modifications	Date	Name	knitter-switch