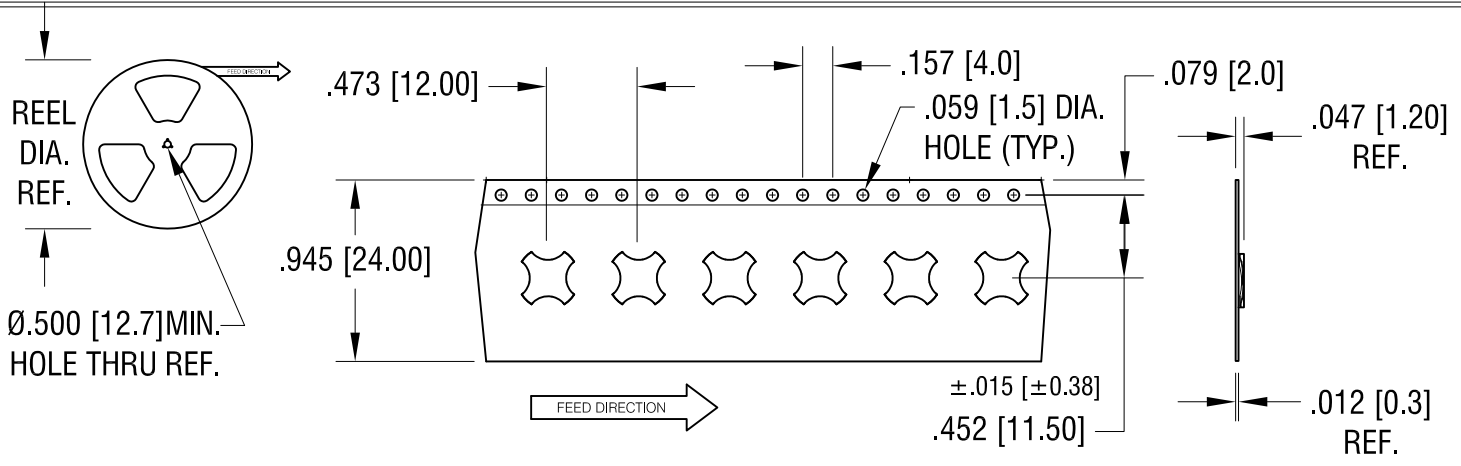
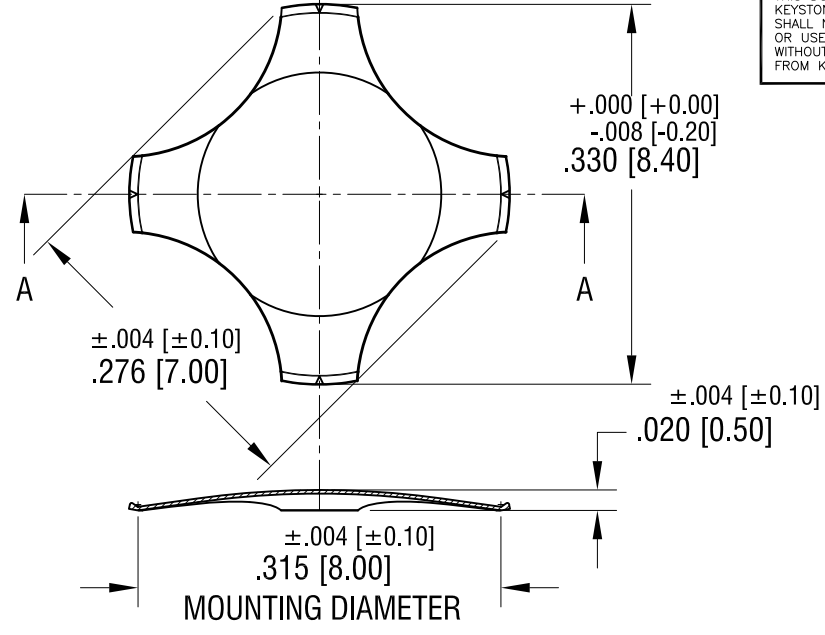
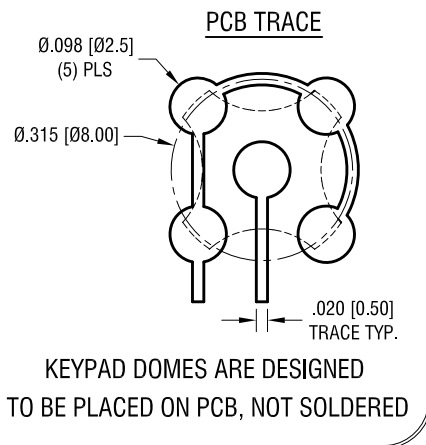


THIS DOCUMENT IS THE PROPERTY OF KEYSTONE ELECTRONICS CORP. AND SHALL NOT BE REPRODUCED, DISTRIBUTED OR USED AS A BASIS FOR MANUFACTURE WITHOUT PRIOR WRITTEN PERMISSION FROM KEYSTONE ELECTRONICS CORP.

ACTUAL SIZE



DOMES SPECIFICATIONS:

1. VOLTAGE/CURRENT MAXIMUM: 12mA@ 24 Volts DC
2. OPERATING TEMPERATURE: -40°C TO 105°C
3. STORAGE TEMPERATURE: -55°C TO 125°C
4. MAT'L: .003 [0.08] STAINLESS STEEL
5. FINISH: NICKEL PLATE
6. TRIP FORCE: 280g

NOTES: SUPPLIED ON TAPE AND REEL ONLY

TAPE AND REEL SPECIFICATIONS:

1. TAPE:
MAT'L - ALL CONDUCTIVE POLYSTYRENE CARRIER
ANSI/EIA-481 STANDARD
2. REEL:
13.0 [330.2] DIA. 5000 PIECES PER REEL

| | | | |
|---|-----------------|-----------------|---------------|
| KEYSTONE ELECTRONICS CORP. | | | |
| www.keyelco.com • ASTORIA, N.Y. 11105-2017 • Tel (718) 956-8900 | | | |
| PART NAME | | MINI 4 LEG DOME | |
| MATERIAL | | AS NOTED | |
| FINISH | | DRN BY | DATE |
| AS NOTED | | NT | 2.15.17 |
| | | APP'D | SCALE |
| | | LN | 6X; 1X |
| TOLERANCES | INCH [MM] | CODE | DWG NO. |
| DECIMAL | ± .005 [± 0.13] | C | 5134TR |
| ANGULAR | ± 1° | | |
| UNLESS OTHERWISE SPECIFIED | | | |

| | | | |
|------|-------------|------|--|
| DATE | DESCRIPTION | REV. | |
|------|-------------|------|--|